

GEBERIT FLUSHING SYSTEM

For 1.28/0.8 GPF (4.8/3 LPF) Floor-Mount, Back Outlet Toilets, 2x4 Installations

PRODUCT SPECIFICATIONS

In-Wall Sigma concealed tank with actuator flush panel or pneumatic push button for washdown floor mounted toilet with rear water inlet. System shall fit within minimum 3-1/2" (90 mm) framing wall or plumbing chase, with wood construction or steel framing members placed 19-3/4" (500 mm) apart. Water supply shall have flow diameter no smaller than 1/2" (13 mm) copper tube, and a minimum flow pressure of 2 PSI (0.01 MPa). The toilet bowl shall be a third party listed low-consumption 1.28/0.8 GPF (4.8/3 LPF) dual-flush floor mounted toilet with rear water inlet type. All components shall be compliant with applicable codes and product standards.

FEATURES

- Water consumption – Dual-flush system allows 1.28/0.8 GPF (4.8/3 LPF) Type212, giving effective flush volume of 1.1 GPF (4 LPF)
- Anti-siphon fill valve
- Impact resistant high density polyethylene (HDPE) tank, insulated to prevent condensation
- Bowl rim height depends on ceramic chosen. See manufacturer for details
- For finished walls up to 3-1/2" (9cm) thick
- For use with Geberit Sigma actuator plates (not included)
- Includes installation and rough-in materials

Complies with the latest editions of:

- ASME: A112.19.5, A112.19.14
- ANSI Z124.4
- CSA B125.3
- ANSI/ASSE 1002
- IAPMO PS-50
- UNAR / UNAR-HET
- ASME A112.19.2
- State of Massachusetts listed

WARRANTY

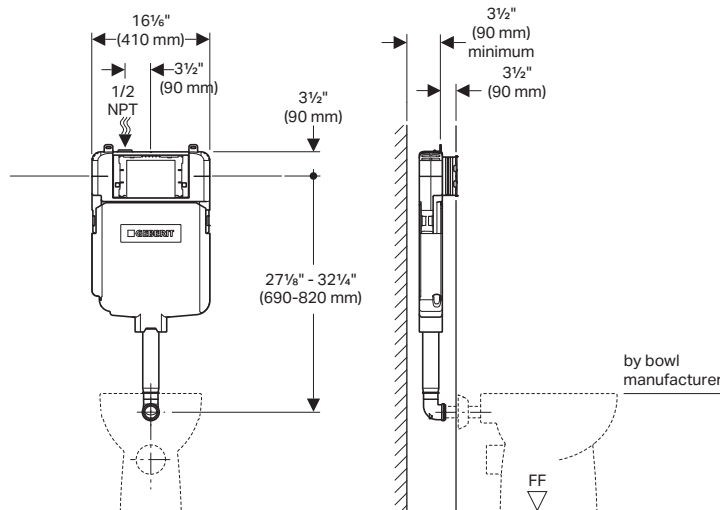
- Limited lifetime warranty on tank and carrier, 10-year warranty on fill valve

Not intended for installation within outside walls or for use with water supply temperatures less than 32°F (0°C) or greater than 65°F (18°C).

Products marked with comply with the American Disabilities Act (ADA) when installed per the requirements of the latest ADA Accessibility Guidelines (ADAAG) and/or ICC/ANSI A117.1.

Model No.	Description
109.781.00.1	Geberit Sigma Concealed Tank with 1.20/0.8 GPF

Where water closet grab bars are required and corresponding reinforcement provided as outlined in the latest NYC Building Code and Federal FHA Guidelines, the installed product complies both for grab bars installed at the time of initial construction as well as for grab bars planned for future installation.



ARCHITECT/ENGINEER APPROVAL

Job Name: _____

Date: _____ Quantity: _____

Model Specified: _____

Variations Specified: _____

Customer/Wholesaler: _____

Contractor: _____

Architect: _____

GEBERIT FLUSHING SYSTEM

For 1.28/0.8 GPF (4.8/3 LPF) Floor-Mount, Back Outlet Toilets, 2x4 Installations

COMPATIBLE 1.28/0.8 GPF (4.8/3 LPF) FLOOR MOUNT TOILET BOWL MODELS



Brand Name	Model Number*	Model Name
Duravit	216909	ME by Starck
	216959	ME by Starck
Catalano	VPS54R	Sfera 54 Newflush
Laufen	823339	Kartel

WATERSENSE EPA HIGH EFFICIENCY COMPATIBLE 1.28/0.8 GPF (4.8/3 LPF) FLOOR MOUNT TOILET BOWL MODELS



Brand Name	Model Number*	Model Name
Duravit	216909	ME by Starck
	216959	ME by Starck
Catalano	VPS54R	Sfera 54 Newflush

Geberit
2100 S. Clearwater Drive
Des Plaines, IL 60018
USA

P 847-803-7777
F 847-849-1845

www.geberit.us

© 2024 Geberit. Product specifications subject to change without notice.