

GEBERIT INSTALLATION SYSTEM


Wall-Hung Bidets

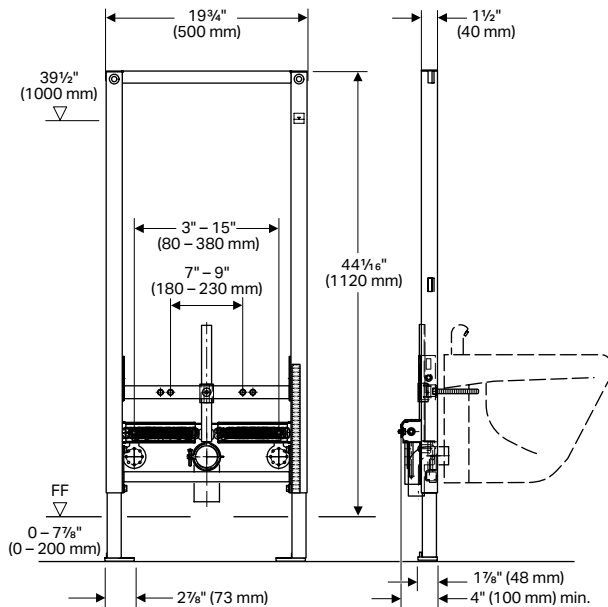
SPECIFICATIONS

In-Wall Duofix carrier system for wall-hung bidets. System shall fit within minimum 5½" (140 mm) framing wall or plumbing chase with wood construction or steel

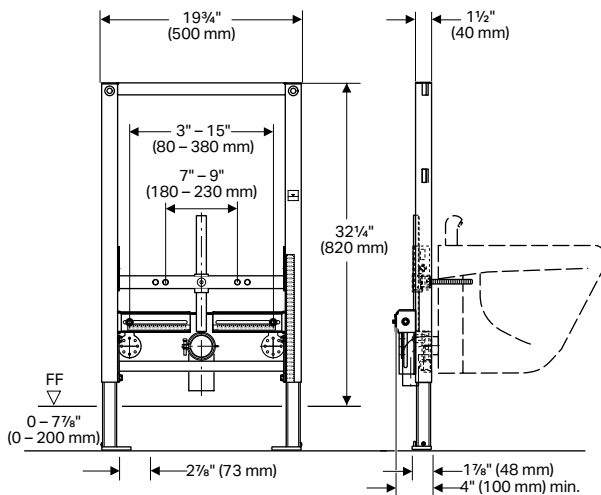
framing members placed 19¾" (500 mm) apart. Framing members should be capable of supporting a 880 pound (400 kg) load without damage to the wall. The bidet bowl shall be a third party listed

2-hole wall-hung type. The carrier frame shall be adjustable for bowl rim heights from 15" (381 mm) to 19" (483 mm). All components shall be compliant with applicable codes and product standards.

Model No.	Description
111.520.00.1	Carrier frame, standard height 



Model No.	Description
111.524.00.1	Carrier frame, short height (matches 111.012.00.1) 



FEATURES


- 16-gauge, powder-coated, structural-steel tubing rated to 880 lbs (400 kg) without damage to finished wall or carrier unit
- Fixture rim height adjustments from 15" (381 mm) to 19" (483 mm)
- Frame height:
111.520.00.1 = 44 1/16" (1120 mm)
111.524.00.1 = 32 1/4" (820 mm)
- Installation hardware included

WARRANTY

- Limited lifetime warranty on carrier

NOTES:

1. Geberit Duofix Carrier for 2-hole wall-hung bidet fixtures only
2. Refer to geberit.us for latest list of code-approved compatible bidet fixtures

Products marked with  comply with the American Disabilities Act (ADA) when installed per the requirements of the latest ADA Accessibility Guidelines (ADAAG) and/or ICC/ANSI A117.1.



Geberit
2100 S. Clearwater Drive
Des Plaines, IL 60018
USA

P 847-803-7777
F 847-849-1845

www.geberit.us

ARCHITECT/ENGINEER APPROVAL

Job Name: _____

Date: _____ Quantity: _____

Model Specified: _____

Variations Specified: _____

Customer/Wholesaler: _____

Contractor: _____

Architect: _____