

JUNE 2023

PRODUCT AND PARTS CATALOG



**KNOW
HOW
INSTALLED**

Table of Contents

Geberit North America is part of the Geberit Group, a European market leader and global provider of sanitary technology. Located in Des Plaines, Illinois, Geberit North America provides concealed tank and carrier systems for wall-hung and floor-mounted toilets and fixtures. Geberit systems improve the look of any bathroom by hiding the unsightly toilet tank. Replacing a standard tank and toilet with the Geberit system results in more usable space, improved hygiene and better accessibility. The unique dual-flush valve saves water and is practically maintenance free. Geberit also offers cable-controlled bath waste and overflows in a variety of designer finishes. Critical working parts are outside the waterway, ensuring years of trouble-free operation.

For more information, contact your Geberit sales representative, call **800/566-2100** or go to **geberit.us**.

Geberit Installation Systems	Page 3
Product features, installation scenarios and system components	4-5
Systems for Wall-Hung Toilets	
Geberit Duofix Carrier with Sigma Concealed Tank (2x6 Installation), actuators and flush controls	6-8
Geberit Duofix Carrier with Sigma Concealed Tank (2x4 Installation), actuators and flush controls	10-12
Geberit Duofix Carrier with Omega Concealed Tank (2x6 pre-wall Installation), actuators and flush controls	14
Systems for Wall-Hung Urinals	
Geberit Duofix Carrier and actuators	15
Systems for Wall-Hung Bidets	
Geberit Duofix Carrier	16
Systems for Wall-Hung Lavatories	
Geberit Duofix Carrier	16
Systems for Floor-Mounted, Back Outlet Toilets	
Geberit Sigma Concealed Tank (2x6 Installation) and actuators	18-20
Geberit Sigma Concealed Tank (2x4 Installations) and actuators	22-24
System Accessories	
Installation and Flushing Systems	26-28
Geberit Bath Waste and Trap Systems	31
Trim Finishes and Rough-In Unit Materials	32-33
Selecting the Right Size Bath Waste and Overflow	34-35
TurnControl BWO Systems	
Rough-in, Remote Control, Complete Units, Trim Kits and accessories	36-37
PushControl BWO Systems	
Complete Units and accessories	38
TurnControl BWO Systems with Cascading Tub Filler	
Complete Units and accessories	38
Lavatory Traps	
For space-saving connection of lavatories in bathroom furniture	38
Geberit Replacement Parts	39
Installation Systems, Flushing System, Actuators and Cover Plates	
Geberit Installation Systems, Duofix Carriers	40-47
Geberit Flushing System, Sigma Concealed Tank	48-49
Sigma, Samba, Twist, Mambo, Rumba and Tango Flush Plate Actuators	50-60
Remote Push Button Actuators and Accessories	61-70
Omega Flush Plate Actuators	71
Miscellaneous Legacy Actuators	72-74
Urinal Flush Plate Actuators	75-76
Flushing Systems	
Filling Valves and Flushing Valves	78-79
Bath Waste and Trap Systems	
Replacement parts, kits, TurnControl handles and plunger assemblies	80-81
Index	82-85
Limited Warranty	86

Possession of this Catalog does not constitute an offer to sell Geberit product.

Please refer to **geberit.us** for our comprehensive terms and conditions.

The information contained in this document is subject to change without notice.

GEBERIT INSTALLATION SYSTEMS



The information contained in this document is subject to change without notice.

GEBERIT INSTALLATION SYSTEMS

Distinctive... Sustainable... Uncompromising

Geberit Installation Systems keep the unsightly out of sight.

AESTHETICS

Safely hidden behind the wall, Geberit in-wall technology allows unique beauty from floor to ceiling.

WATER SAVING

Geberit dual-flush technology provides an effective flush volume of 1.1 GPF, exceeding the 1.28 GPF High Efficiency Toilet (HET) standard.

SPACE SAVING

Putting the unsightly toilet tank in the wall, where it belongs, gives you more room. The entire bathroom is safer and more accessible.

EASY TO CLEAN

Because the toilet is off the floor, cleaning the entire area is easy.

FLEXIBILITY

The adjustable-height carrier allows you to position the toilet 15" to 19" off the floor for meeting ADA requirements or personal preference.

STRENGTH AND STABILITY

The Geberit installation system supports up to 880 lbs., exceeding ASME A112.6.2 strength requirements.

ACCESSIBLE MAINTENANCE

The Geberit installation system offers easy access to all internal components, including the fill and flush valves, through decorative actuator flush panels. No tools are needed for simple changeouts.



Duravit Vero toilet with Sigma50 flush plate in Umber Glass finish

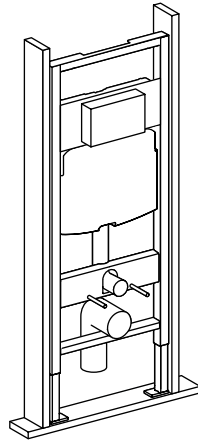
The information contained in this document is subject to change without notice.

INSTALLATION SCENARIOS

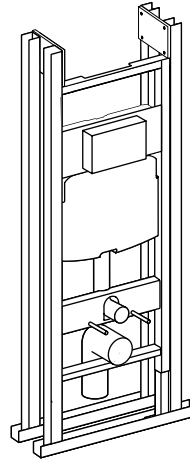
Geberit Duofix carriers are simple and easy to install. They require either a 2" x 4" or a 2" x 6" wood frame or metal frame construction. The studs must be placed 19-3/4" apart where the carrier will be positioned inside a wall. For pre-wall installations, frame to wall anchors are needed.

For more information on installation technique refer to the [Geberit Installation Systems Planning Guide \(GNA7248\)](#).

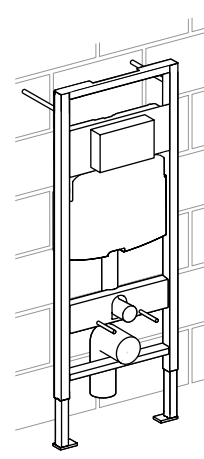
Wood frame in-wall installation, front activation.



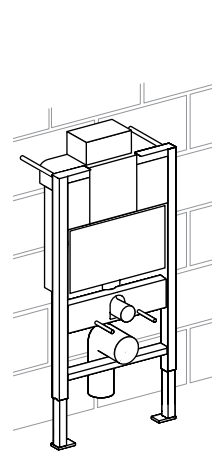
Metal frame in-wall installation, front activation.



Pre-wall installation, front activation.



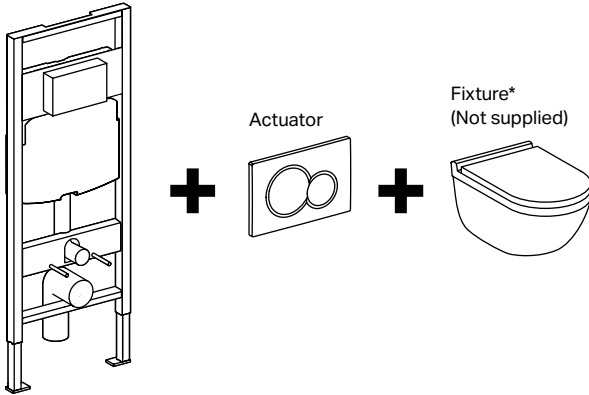
Pre-wall installation, top or front activation.



SYSTEM COMPONENTS

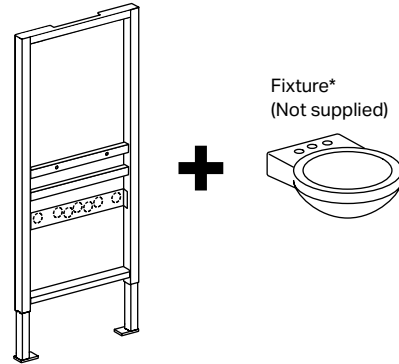
Toilet (See pages 6-14, 18-24)

Geberit Duofix Carrier with Concealed Tank



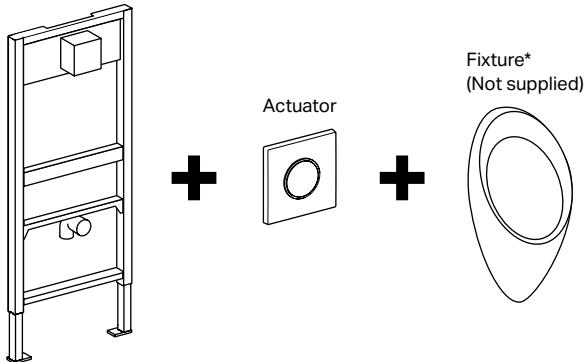
Lavatory (See page 16)

Geberit Duofix Carrier



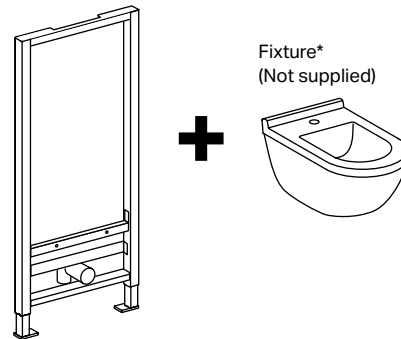
Urinal (See page 15)

Geberit Duofix Carrier



Bidet (See page 16)

Geberit Duofix Carrier



* Contact vitreous china manufacturer for complete selection of products. Refer to geberit.us for recommended manufacturers.

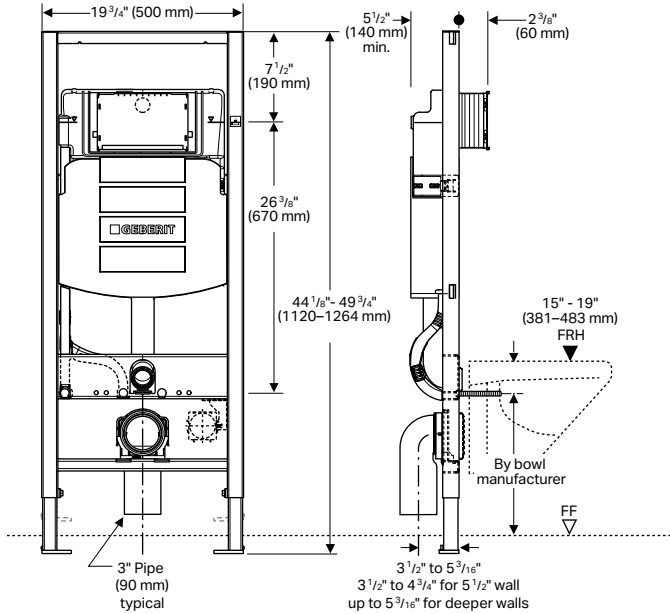
The information contained in this document is subject to change without notice.

GEBERIT INSTALLATION SYSTEMS

Systems for Wall-Hung Toilets for Sigma 2x6 Installation

Geberit Duofix Carrier, Sigma 2x6 Installation

Model No.	Description
111.335.00.5	Carrier frame with 1.60/0.8 GPF Sigma Concealed Tank
111.902.00.5	Carrier frame with 1.28/0.8 GPF Sigma Concealed Tank

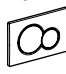
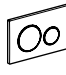
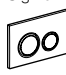


NOTES:

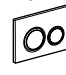
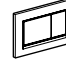
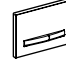

1. Concealed tank shipped dual-flush ready
2. Geberit Duofix Carrier for 2-hole washdown style wall-hung toilet fixtures only
3. Refer to geberit.us for latest list of code approved compatible toilet fixtures, including certified WaterSense® combinations


Note: For System Accessories see pages 26-28.

Dual-Flush Actuators, Sigma 2x6 Installation

Style	Material	Finish	Model No.
	Plastic	Alpine White	115.770.11.5
		Polished Chrome	115.770.21.5
		Matte Chrome	115.770.JQ.5
		Brass Galvanized	115.770.DT.5
		Jet Black	115.770.DW.5
	Stainless	Brushed Nickel, Polished Nickel Accent*	115.882.ID.1
		Brushed Stainless Steel, Polished Stainless Steel Accent	115.882.SN.1
		Brushed Nickel, Polished Nickel Accent, Vandal Resistant	115.889.ID.1
		Brushed Stainless Steel, Polished Stainless Steel Accent, Vandal Resistant	115.889.SN.1
		Plastic	Matte White Coated, White Accent
	White, Matte White Accent	115.882.11.1	
	Matte Black, Polished Chrome Accent	115.882.14.1	
	Matte Black Coated, Black Accent	115.882.16.1	
	Black, Matte Black Accent	115.882.DW.1	
	Matte Chrome, Polished Chrome Accent	115.882.JQ.1	
	Matte White, Polished Chrome, Accent	115.882.JT.1	
	Polished Chrome, Matte Chrome Accent	115.882.KH.1	
	White, Polished Chrome Accent	115.882.KJ.1	
	White, Polished Gold Accent	115.882.KK.1	
	Black, Polished Chrome Accent	115.882.KM.1	
	Zinc PVD Red Gold Color	Customizable	115.650.00.1
		Mustang Slate	115.650.JM.1
		Concrete Look	115.650.JV.1
		Black Walnut	115.650.JX.1
		White	115.650.SI.1
		Black	115.650.SJ.1

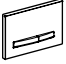
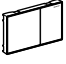
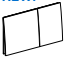

Dual-Flush Actuators, Sigma 2x6 Installation (continued)

Style	Material	Finish	Model No.
	Zinc PVD Black Chrome Color	Customizable	115.651.00.1
		Mustang Slate	115.651.JM.1
		Concrete Look	115.651.JV.1
		Black Walnut	115.651.JX.1
		White	115.651.SI.1
		Black	115.651.SJ.1
		Customizable	115.652.00.1
		Mustang Slate	115.652.JM.1
		Concrete Look	115.652.JV.1
		Black Walnut	115.652.JX.1
	Plastic	Matte White Coated, Coated Accent	115.883.01.1
		White, Matte White Accent	115.883.11.1
		Matte Black, Polished Chrome Accent	115.883.14.1
		Matte Black Coated, Black Accent	115.883.16.1
		Black, Matte Black Accent	115.883.DW.1
		Matte Chrome, Polished Chrome Accent	115.883.JQ.1
		Matte White, Polished Chrome Accent	115.883.JT.1
		Polished Chrome, Matte Chrome Accent	115.883.KH.1
		White, Polished Chrome Accent	115.883.KJ.1
		White, Polished Gold Accent	115.883.KK.1
Black, Polished Chrome Accent	115.883.KM.1		
	Zinc PVD Red Gold Color	Customizable	115.670.00.2
		White	115.670.11.2
		Black	115.670.DW.2
		Mustang Slate	115.670.JM.2
		Concrete Look	115.670.JV.2
	Zinc PVD Black Chrome Color	Black Walnut	115.670.JX.2
		Brushed Red Gold	115.670.QB.2
		Customizable	115.671.00.2
		White	115.671.11.2
		Black	115.671.DW.2
	Zinc PVD Brass Color	Mustang Slate	115.671.JM.2
		Concrete Look	115.671.JV.2
		Black Walnut	115.671.JX.2
		Brushed Black Chrome	115.671.QD.2
		Customizable	115.672.00.2
		White	115.672.11.2
		Black	115.672.DW.2
		Mustang Slate	115.672.JM.2
		Concrete Look	115.672.JV.2
		Black Walnut	115.672.JX.2
Brushed Brass	115.672.QF.2		

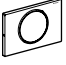
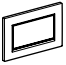
Products marked with  comply with the American Disabilities Act (ADA) when installed per the requirements of the latest ADA Accessibility Guidelines (ADAAG) and/or ICC/ANSI A117.1.

The information contained in this document is subject to change without notice.

Dual-Flush Actuators, Sigma 2x6 Installation 

Style	Material	Finish	Model No.		
Sigma50 	Zinc Chrome Color	Concrete Look	115.788.JV.2		
		Black Walnut	115.788.JX.2		
		Customizable	115.788.00.2		
		White	115.788.11.2		
		Bright Chrome	115.788.21.2		
		Black	115.788.DW.2		
		Brushed Chrome	115.788.GH.2		
		Lava Glass	115.788.JK.2		
		Grey Sand Glass	115.788.JL.2		
		Mustang Slate	115.788.JM.2		
Sigma60 [†] 	Zinc Glass	Brushed Chrome	115.640.GH.1		
		Lava Glass	115.640.JK.1		
		Grey Sand Glass	115.640.JL.1		
		White Glass	115.640.SI.1		
		Black Glass	115.640.SJ.1		
		Rough-in set (REQUIRED accessory)	243.168.00.1		
		Cover frame (optional accessory), Polished Chrome	115.641.21.1		
		Cover frame (optional accessory), Brushed Chrome	115.641.GH.1		
		Sigma70 NEW! 	Stainless	Brushed Stainless Steel	115.622.FW.1
				Matte Black	115.622.14.1
Matte White	115.622.JT.1				
Brushed Red Gold	115.622.QB.1				
Brushed Black Chrome	115.622.QD.1				
Glass	Brushed Brass		115.622.QF.1		
	Lava Glass		115.622.JK.1		
	Grey Sand Glass		115.622.JL.1		
	White Glass		115.622.SI.1		
	Black Glass		115.622.SJ.1		
	Cover frame (optional accessory), Polished Chrome		115.623.21.1		
	Cover frame (optional accessory), Polished Black Chrome		115.623.QC.1		



Single-Flush Actuators, Sigma 2x6 Installation 

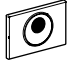
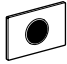



Style	Material	Finish	Model No.	
Sigma10 [†] 	Stainless	Matte Black, Polished Chrome Accent	115.758.14.5	
		Matte White, Polished Chrome Accent	115.758.JT.5	
		Matte White Coated, White Accent	115.758.01.5	
		Matte Black Coated, Black Accent	115.758.16.5	
		Brushed Stainless Steel, Polished Stainless Steel Accent	115.758.SN.5	
		Brushed Stainless Steel, Polished Stainless Steel Accent, Vandal Resistant	115.787.SN.5	
		Plastic	Polished Chrome, Matte Chrome Accent	115.758.KH.5
			White, Polished Chrome Accent	115.758.KJ.5
			White, Polished Gold Accent	115.758.KK.5
			Black, Polished Chrome Accent	115.758.KM.5
Sigma30 [†] 	Zinc	Matte Black, Polished Chrome Accent	115.893.14.1	
		Matte White, Polished Chrome Accent	115.893.JT.1	
		Polished Gold	115.893.45.1	
		White, Polished Chrome Accent	115.893.KJ.1	
		Brushed Chrome, Polished Chrome Accent	115.893.KX.1	
		Polished Chrome, Brushed Chrome Accent	115.893.KY.1	


* For round flush buttons, the accent is a trim ring; for square flush buttons, the accent is on the button edge. See GNA7181, our flush plate brochure, for full-size images and color references.


[†] Note: For tile, stone or other hard surfaced walls only!
[‡] Not intended to be sold in California with 1.6 GPF units

The information contained in this document is subject to change without notice.

Dual-Flush Hands-Free Actuators and Accessories, Sigma 2x6 Installation  

Style	Material	Finish	Model No.		
Sigma10 	Stainless	Brushed Stainless Steel, Polished Stainless Steel Accent, Vandal Resistant with manual override, mains AC 12V	115.890.SN.6		
		Matte Black Coated, Black Accent, Vandal Resistant with manual override, mains AC 12V	115.890.16.6		
		Black, Matte Black Accent, Vandal Resistant with manual override, mains AC 12V	115.890.DW.6		
		Brushed Stainless Steel, Polished Stainless Steel Accent, Vandal Resistant (with manual override, battery 3V power)	115.891.SN.6		
		Matte Black Coated, Black Accent, Vandal Resistant (with manual override, battery 3V power)	115.891.16.6		
		Black, Matte Black Accent, Vandal Resistant (with manual override, battery 3V power)	115.891.DW.6		
		Sigma 10 	Plastic	Polished Chrome, Matte Chrome Accent (Mains 12V)	115.907.KH.6
				White, Polished Chrome Accent (Mains 12V)	115.907.KJ.6
				White, Polished Gold Accent (Mains 12V)	115.907.KK.6
				Matte Black Coated, Black Accent (Mains 12V)	115.907.16.6
Black, Matte Black Accent (Mains 12V)	115.907.DW.6				
Matte Chrome Coated, Polished Chrome Accent (Mains 12V)	115.907.JQ.6				
Sigma80 	Stainless	Brushed Stainless Steel, Polished Stainless Steel Accent (Mains 12V)	115.907.SN.6		
		Required Transformer with 12VDC output for AC powered hands-free actuator (order separately)	115.861.00.6		
		Extension mains cable 12V (optional accessory for Sigma10 and Sigma80) length 71" (1.8 m)		244.094.00.1	
		Plastic	Polished Chrome, Matte Chrome Accent (Battery 3V)	115.908.KH.6	
	Matte Black Coated, Black Accent (Battery 3V)		115.908.16.6		
	Black, Matte Black Accent (Battery 3V)		115.908.DW.6		
	Matte Chrome Coated, Polished Chrome Accent (Battery 3V)		115.908.JQ.6		
	White, Polished Chrome Accent (Battery 3V)		115.908.KJ.6		
	White, Polished Gold Accent (Battery 3V)		115.908.KK.6		
	Sigma80 	Glass	Black (Mains 12V)	116.090.SG.6	
Mirror (Mains 12V)			116.090.SM.6		
Note: Sigma80 not recommended for bidet seat applications					
Required Transformer with 12VDC output for AC powered hands-free actuator (order separately)			115.861.00.6		
	Extension mains cable 12V (optional accessory for Sigma10 and Sigma80) length 71" (1.8 m)		244.094.00.1		
	Connection cable for external button (optional accessory) length 78–3/4" (2 m)		242.658.00.1		
Remote Programming Accessory for Hands-Free Actuators					
	"Service Handy" remote programming device for Geberit touch-free devices		115.860.00.1		

 Products marked with this symbol are compatible with the Geberit Control App. See note on the next page.

Products marked with  comply with the American Disabilities Act (ADA) when installed per the requirements of the latest ADA Accessibility Guidelines (ADAAG) and/or ICC/ANSI A117.1.

GEBERIT INSTALLATION SYSTEMS

Systems for Wall-Hung Toilets for Sigma 2x6 Installation

Dual-flush Button Electronic Controls for Concealed Installations, Sigma 2x6 Installation

Style	Material	Finish	Model No.
	Stainless	Type 10 IR button and lifter, Brushed Stainless (Mains 12V)	115.936.SN.6
		Type 10 IR button and lifter, Matte Black (Mains 12V) NEW!	115.936.14.6
		Lifter for Electrical switch by others (Mains 12V)	115.862.00.6
		Connection cable for WC flush control with electronic flush actuation, mains operation	241.832.00.1
		Required Transformer for AC powered hands-free actuator (order separately)	115.861.00.6
		Extension mains cable 12V (optional accessory for Sigma10 and Sigma80) length 71" (1.8 m)	244.094.00.1
Pair with single- or dual-flush manual actuator Sigma01 to Sigma60 or cover plates)			
	Stainless	Type 10 IR button and lifter, Brushed Stainless (Battery 3V)	115.937.SN.6
		Type 10 IR button and lifter, Matte Black (Battery 3V) NEW!	115.937.14.6
		Lifter for Electrical switch by others (Battery 3V)	115.885.00.6
		Pair any lifter with single- or dual-flush manual actuator Sigma01 to Sigma60 or cover plates - order separately	

Dual-Flush Buttons for Concealed Installations, Sigma 2x6 Installation

Style	Material	Finish	Model No.
	Plastic	Alpine White	116.042.11.1
		Polished Chrome	116.042.21.1
		Matte Chrome	116.042.JQ.1
	Plastic	Alpine White ‡	116.044.11.1
		Matte Chrome, Polished Chrome Accent	116.055.KH.1
		White, Polished Chrome Accent	116.055.KJ.1
	Plastic	Gloss Black, Matte Black Accent	116.055.DW.1
		Matte Black, Gloss Black Accent	116.055.16.1
		Polished Chrome, Matte Chrome Buttons	116.051.KA.1
	Zinc	Black, Brushed Chrome Buttons	116.051.KV.1
		Brushed Chrome	116.051.GH.1
	Plastic	Polished Chrome ‡	116.052.21.1

Dual-Flush Buttons for Furniture Installations, Sigma 2x6 Installation

Style	Material	Finish	Model No.
	Plastic	Alpine White	116.050.11.1
		Polished Chrome	116.050.21.1
	Plastic	Matte Chrome, Polished Chrome Accent*	116.057.KH.1
		White, Polished Chrome Accent	116.057.KJ.1
		Matte Black, Gloss Black Accent	116.057.16.1
		Gloss Black, Matte Black Accent	116.057.DW.1

* For round flush buttons, the accent is a trim ring; for square flush buttons, the accent is on the button edge. See GNA7181, our flush plate brochure, for full-size images and color references.

† Note: For tile, stone or other hard surfaced walls only!
 ‡ Not intended to be sold in California with 1.6 GPF units

The information contained in this document is subject to change without notice.

Single-Flush Buttons for Concealed Installations, Sigma 2x6 Installation

Type 01*	Plastic	Alpine White	116.040.11.1
		Polished Chrome	116.040.21.1

Extension Hoses for Flush Button Installations (For Flush Buttons located beyond 6' from carrier)

	Double pneumatic hose for dual-flush, 78.74" (2 m) (Blue/Clear for Type01/Type10/Rectangle)	240.575.00.1
	Pneumatic hose, 137.80" (3.5 m), for single flush	256.000.00.1

Cover Plates for Sigma Concealed Tank, Sigma 2x6 Installation, for use with Flush Buttons

	Glass	White	115.766.SI.1
	Stainless	Brushed Stainless Steel, Vandal Resistant	115.764.FW.1
Customizable			115.766.00.1
	Plastic	Alpine White	115.768.11.1
		Polished Chrome	115.768.21.1
		Matte Chrome	115.768.46.1

Surface-even Cover Plates for Sigma Concealed Tank, 2x6 Installation, for use with Flush Buttons

	Plastic	Customizable mechanism †	115.696.00.1
	Stainless	Pre-made Cover, White, Matte White Accent	CR115-6111
		Pre-made Cover, Matte Black Coated, Black Accent	CR115-6161
		Pre-made Cover, Brushed Stainless Steel	CR115-6FW1
Optional pre-made accessory in combination with 115.696.00.1			
See any remote button spec sheet for details			
Rough-in set			243.168.00.1
	Plastic	Customizable mechanism with frame †	115.697.00.1
		Rough-in set	243.168.00.1
		(REQUIRED accessory, purchase with one of above)	

Sanitary Flush Units for Sigma Concealed Tank, 2x6 Installation

	Lifter for Mains 12V	116.109.00.6
	Lifter for Battery 3V	116.110.00.6
Pair any lifter with single- or dual-flush manual actuator Sigma01 to Sigma60 or cover plates - order separately		

Products marked with this symbol are compatible with the Geberit Control App. See note on this page.

Geberit Control – the app for your Geberit products

The Geberit Control App supports professional users with Geberit products. Use the app to check battery levels or install firmware updates. Adjust basic settings such as detection time and detection range. The app also includes helpful tips and tricks for using Geberit products. Download the Geberit Control app for free from the app store. Available for Android or iOS.

Note: The Geberit Control App replaces the "Service Handy" remote programming accessory for hands-free actuators.





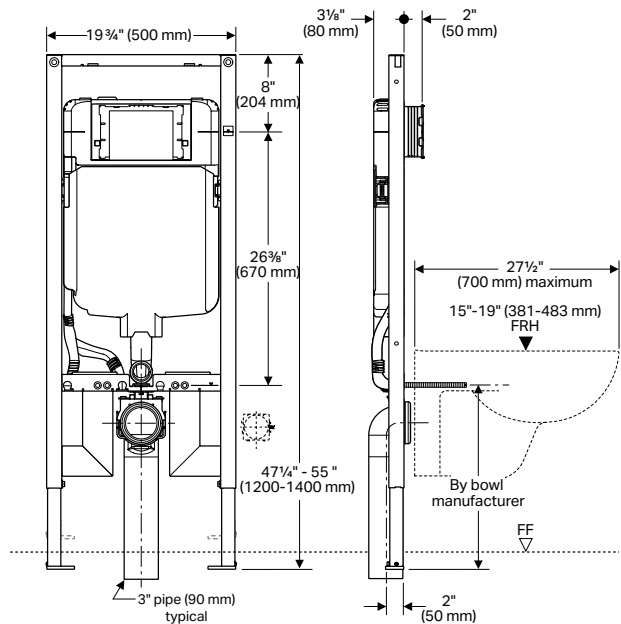
The information contained in this document is subject to change without notice.

GEBERIT INSTALLATION SYSTEMS

Systems for Wall-Hung Toilets, 2x4 Installation

Geberit Duofix Carrier, Sigma 2x4 Installation

Model No.	Description
111.798.00.1	Carrier frame with 1.6/0.8 GPF Sigma Concealed Tank
111.597.00.1	Carrier frame with 1.28/0.8 GPF Sigma Concealed Tank

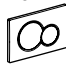
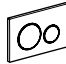



NOTES:

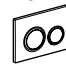
1. Concealed tank shipped dual-flush ready
2. Geberit Duofix Carrier for 2-hole washdown style wall-hung toilet fixtures only
3. Refer to geberit.us for latest list of Code approved Compatible toilet fixtures, including certified WaterSense® combinations


Note: For System Accessories see pages 26-28.

Dual-Flush Actuators, Sigma 2x4 Installation

Style	Material	Finish	Model No.
	Plastic	Alpine White	115.770.11.5
		Polished Chrome	115.770.21.5
		Matte Chrome	115.770.JQ.5
		Brass Galvanized	115.770.DT.5
		Jet Black	115.770.DW.5
	Stainless	Brushed Nickel, Polished Nickel Accent*	115.882.ID.1
		Brushed Stainless Steel, Polished Stainless Steel Accent	115.882.SN.1
		Brushed Nickel, Polished Nickel Accent, Vandal Resistant	115.889.ID.1
		Brushed Stainless Steel, Polished Stainless Steel Accent, Vandal Resistant	115.889.SN.1
		Plastic	Matte White Coated, White Accent
	White, Matte White Accent	115.882.11.1	
	Matte Black, Polished Chrome Accent	115.882.14.1	
	Matte Black Coated, Black Accent	115.882.16.1	
	Black, Matte Black Accent	115.882.DW.1	
	Matte Chrome, Polished Chrome Accent	115.882.JQ.1	
	Matte White, Polished Chrome Accent	115.882.JT.1	
	Polished Chrome, Matte Chrome Accent	115.882.KH.1	
	White, Polished Chrome Accent	115.882.KJ.1	
	White, Polished Gold Accent	115.882.KK.1	
	Black, Polished Chrome Accent	115.882.KM.1	
	Zinc PVD Red Gold Color	Customizable	115.650.00.1
		Mustang Slate	115.650.JM.1
		Concrete Look	115.650.JV.1
		Black Walnut	115.650.JX.1
		White	115.650.SL.1
		Black	115.650.SJ.1

Dual-Flush Actuators, Sigma 2x4 Installation (continued)

Style	Material	Finish	Model No.
	Zinc PVD Black Chrome Color	Customizable	115.651.00.1
		Mustang Slate	115.651.JM.1
		Concrete Look	115.651.JV.1
		Black Walnut	115.651.JX.1
		White	115.651.SL.1
	Black	115.651.SJ.1	
	Zinc PVD Brass Color	Customizable	115.652.00.1
		Mustang Slate	115.652.JM.1
		Concrete Look	115.652.JV.1
		Black Walnut	115.652.JX.1
White		115.652.SL.1	
Black	115.652.SJ.1		
Zinc Chrome Color	Camel	115.761.00.4	
	Beige	115.761.00.5	
	Grey Linen	115.761.00.6	
	Dark Rock	115.761.00.7	
	Concrete Look	115.884.JV.1	
	Black Walnut	115.884.JX.1	
	Customer supplied overlay	115.884.00.1	
	Lava Glass	115.884.JK.1	
	Grey Sand Glass	115.884.JL.1	
	Mustang Slate	115.884.JM.1	
	White Glass	115.884.SL.1	
	Black Glass	115.884.SJ.1	
Sigma30	Plastic	Matte White Coated, Coated Accent	115.883.01.1
		White, Matte White Accent	115.883.11.1
		Matte Black, Polished Chrome Accent	115.883.14.1
		Matte Black Coated, Black Accent	115.883.16.1
		Black, Matte Black Accent	115.883.DW.1
		Matte Chrome, Polished Chrome Accent	115.883.JQ.1
		Matte White, Polished Chrome Accent	115.883.JT.1
		Polished Chrome, Matte Chrome Accent	115.883.KH.1
		White, Polished Chrome Accent	115.883.KJ.1
		White, Polished Gold Accent	115.883.KK.1
Black, Polished Chrome Accent	115.883.KM.1		
Sigma50	Zinc PVD Red Gold Color	Customizable	115.670.00.2
		White	115.670.11.2
		Black	115.670.DW.2
		Mustang Slate	115.670.JM.2
		Concrete Look	115.670.JV.2
	Black Walnut	115.670.JX.2	
	Brushed Red Gold	115.670.QB.2	
	Zinc PVD Black Chrome Color	Customizable	115.671.00.2
		White	115.671.11.2
		Black	115.671.DW.2
Mustang Slate		115.671.JM.2	
Concrete Look		115.671.JV.2	
Black Walnut	115.671.JX.2		
Brushed Black Chrome	115.671.QD.2		
Zinc PVD Brass Color	Customizable	115.672.00.2	
	White	115.672.11.2	
	Black	115.672.DW.2	
	Mustang Slate	115.672.JM.2	
	Concrete Look	115.672.JV.2	
	Black Walnut	115.672.JX.2	
	Brushed Brass	115.672.QF.2	

Products marked with  comply with the American Disabilities Act (ADA) when installed per the requirements of the latest ADA Accessibility Guidelines (ADAAG) and/or ICC/ANSI A117.1.

The information contained in this document is subject to change without notice.

Dual-Flush Actuators, Sigma 2x4 Installation 

Style	Material	Finish	Model No.	
	Zinc	Concrete Look	115.788.JV.2	
		Black Walnut	115.788.JX.2	
	Chrome	Customizable	115.788.00.2	
		White	115.788.11.2	
	Color	Bright Chrome	115.788.21.2	
		Black	115.788.DW.2	
		Brushed Chrome	115.788.GH.2	
		Lava Glass	115.788.JK.2	
		Grey Sand Glass	115.788.JL.2	
		Mustang Slate	115.788.JM.2	
		Smoked Glass	115.788.SD.2	
	Sigma60 [†]	Zinc	Brushed Chrome	115.640.GH.1
			Glass	Lava Glass
Glass		Grey Sand Glass	115.640.JL.1	
		White Glass	115.640.SI.1	
		Black Glass	115.640.SJ.1	
		Rough-in set (included)	243.168.00.1	
		Cover frame (optional accessory), Polished Chrome	115.641.21.1	
		Cover frame (optional accessory), Brushed Chrome	115.641.GH.1	
		Sigma70	Stainless	Brushed Stainless Steel
Matte Black				115.622.14.1
Matte White				115.622.JT.1
Brushed Red Gold				115.622.QB.1
Brushed Black Chrome				115.622.QD.1
Glass	Brushed Brass		115.622.QF.1	
	Lava Glass		115.622.JK.1	
	Grey Sand Glass		115.622.JL.1	
	White Glass		115.622.SI.1	
	Black Glass		115.622.SJ.1	
Cover frame (optional accessory), Polished Chrome		115.623.21.1		
	Cover frame (optional accessory), Polished Black Chrome	115.623.QC.1		

Single-Flush Actuators, Sigma 2x4 Installation 



Style	Material	Finish	Model No.	
Sigma10 [†]	Stainless	Matte Black, Polished Chrome Accent	115.758.14.5	
		Matte White, Polished Chrome Accent	115.758.JT.5	
		Matte White Coated, White Accent	115.758.01.5	
		Matte Black Coated, Black Accent	115.758.16.5	
		Brushed Stainless Steel, Polished Stainless Steel Accent	115.758.SN.5	
		Brushed Stainless Steel, Polished Stainless Steel Accent, Vandal Resistant	115.787.SN.5	
		Plastic	Polished Chrome, Matte Chrome Accent	115.758.KH.5
			White, Polished Chrome Accent	115.758.KJ.5
			White, Polished Gold Accent	115.758.KK.5
		Sigma30 [†]	Zinc	Black, Polished Chrome Accent
	Matte Chrome, Polished Chrome Accent			115.758.JQ.5
	Sigma60 [†]	Zinc	Matte Black, Polished Chrome Accent	115.893.14.1
			Matte White, Polished Chrome Accent	115.893.JT.1
Polished Gold			115.893.45.1	
White, Polished Chrome Accent			115.893.KJ.1	
Brushed Chrome, Polished Chrome Accent			115.893.KX.1	
Polished Chrome, Brushed Chrome Accent			115.893.KY.1	

* For round flush buttons, the accent is a trim ring; for square flush buttons, the accent is on the button edge. See GNA7181, our flush plate brochure, for full-size images and color references.

[†] Note: For tile, stone or other hard surfaced walls only!


[‡] Not intended to be sold in California with 1.6 GPF units

The information contained in this document is subject to change without notice.


Dual-Flush Hands-Free Actuators and Transformer, Sigma 2x4 Installation  

Style	Material	Finish	Model No.
Sigma10	Stainless	Brushed Stainless Steel, Polished Stainless Steel Accent, Vandal Resistant (with manual override, mains AC 12V)	115.856.SN.6
		Matte Black Coated, Black Accent, Vandal Resistant (with manual override, mains AC 12V)	115.856.16.6
		Black, Matte Black Accent, Vandal Resistant (with manual override, mains AC 12V)	115.856.DW.6
		Required Transformer with 12VDC output for AC powered hands-free actuator (order separately)	115.861.00.6
		Extension mains cable 12V (optional accessory for Sigma10 and Sigma80) length 71" (1.8 m)	244.094.00.1
Sigma80	Glass	Black (Mains 12V)	116.092.SG.6
		Mirror (Mains 12V)	116.092.SM.6
		Note: Sigma80 not recommended for bidet seat applications	
		Required Transformer with 12VDC output for AC powered hands-free actuator (order separately)	115.861.00.6
		Extension mains cable 12V (optional accessory for Sigma10 and Sigma80) length 71" (1.8 m)	244.094.00.1
		Connection cable for external button (optional accessory) length 78-3/4" (2 m)	242.658.00.1

Remote Programming Accessory for Hands-Free Actuators

	"Service Handy" remote programming device for Geberit touch-free devices	115.860.00.1
---	--	--------------



Dual-Flush Buttons for Concealed Installations, Sigma 2x4 Installation


Type 01	Plastic	Alpine White	116.043.11.1
		Polished Chrome	116.043.21.1
		Matte Chrome	116.043.JQ.1
Type 10	Plastic	Alpine White 	116.045.11.1
		Matte Chrome, Polished Chrome Accent	116.056.KH.1
Rectangle	Plastic	White, Polished Chrome Accent	116.056.KJ.1
		Gloss Black, Matte Black Accent	116.056.DW.1
		Matte Black, Gloss Black Accent	116.056.16.1
		Polished Chrome, Matte Chrome Buttons	116.053.KA.1
Type 10	Plastic	Black, Brushed Chrome Buttons	116.053.KV.1
		Brushed Chrome	116.053.GH.1
		Polished Chrome	116.054.21.1


Single-Flush Buttons for Concealed Installations, Sigma 2x4 Installation

Style	Material	Finish	Model No.
Type 01 [†]	Plastic	Alpine White	116.041.11.1
		Polished Chrome	116.041.21.1

Extension Hoses for Flush Button Installations

(For Flush Buttons located beyond 6' from carrier)			
	Double pneumatic hose for dual-flush, 78.74" (2 m) (Blue/Clear for Type01/Type10/Rectangle)		240.575.00.1
		Pneumatic hose, 137.80" (3.5 m), for single flush	256.000.00.1

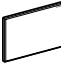
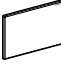
 Products marked with this symbol are compatible with the Geberit Control App. See note on the next page.

Products marked with  comply with the American Disabilities Act (ADA) when installed per the requirements of the latest ADA Accessibility Guidelines (ADAAG) and/or ICC/ANSI A117.1.

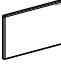
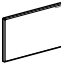
GEBERIT INSTALLATION SYSTEMS

Systems for Wall-Hung Toilets, 2x4 Installation

Cover Plates for Concealed Tank, Sigma 2x4 Installation, for use with Flush Buttons

	Glass	White	115.766.SI.1
	Stainless	Brushed Stainless Steel, Vandal Resistant	115.764.FW.1
		Customizable	115.766.00.1
	Plastic	Alpine White	115.768.11.1
		Polished Chrome	115.768.21.1
		Matte Chrome	115.768.46.1

Surface-even Cover Plates for Sigma Concealed Tank, 2x6 Installation, for use with Flush Buttons

	Plastic	Customizable mechanism †	115.696.00.1
	Stainless	Pre-made Cover, White, Matte White Accent	CR115-6111
		Pre-made Cover, Matte Black Coated, Black Accent	CR115-6161
		Pre-made Cover, Brushed Stainless Steel	CR115-6FW1
Optional pre-made accessory in combination with 115.696.00.1 See any remote button spec sheet for details			
	Plastic	Customizable mechanism with frame †	115.697.00.1
		Note: Required accessory kit 243.168.00.1 is included with 111.597.00.1 and 111.798.00.1 carrier.	

† Note: For tile, stone or other hard surfaced walls only!
‡ Not intended to be sold in California with 1.6 GPF units

The information contained in this document is subject to change without notice.



Geberit Control – the app for your Geberit products

The Geberit Control App supports professional users with Geberit products. Use the app to check battery levels or install firmware updates. Adjust basic settings such as detection time and detection range. The app also includes helpful tips and tricks for using Geberit products. Download the Geberit Control app for free from the app store. Available for Android or iOS.

Note: The Geberit Control App replaces the "Service Handy" remote programming accessory for hands-free actuators.





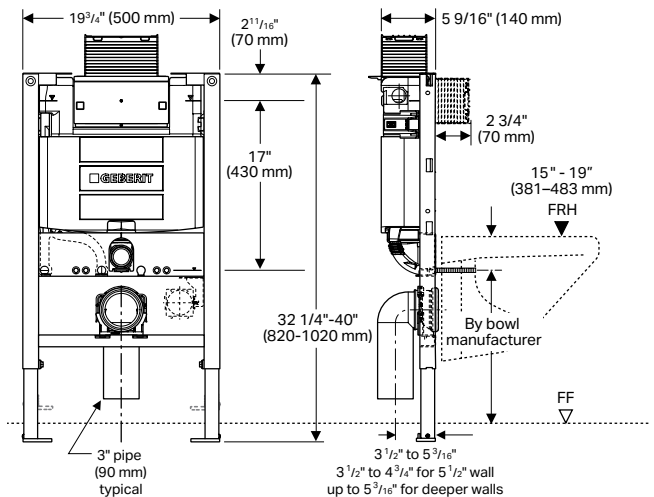
The information contained in this document is subject to change without notice.

GEBERIT INSTALLATION SYSTEMS

Systems for Wall-Hung Toilets, Pre-Wall, 2x6 Installation

Geberit Duofix Carrier, Omega 2x6 Installation

Model No.	Description
111.012.00.1	Carrier frame with 1.6/0.8 GPF Omega Concealed Tank, pre-wall installations
111.018.00.1	Carrier frame with 1.28/0.8 GPF Omega Concealed Tank, pre-wall installation


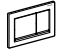
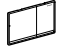



NOTES:

1. Concealed tank shipped dual-flush ready
2. Carrier for 2-hole washdown style wall-hung toilet fixtures only
3. Refer to geberit.us for latest list of code approved compatible toilet fixtures, including certified WaterSense® combinations

Note: For System Accessories see pages 26-28.

Dual-Flush Actuators, Omega 2x6 Installation

Style	Material	Finish	Model No.	
	Plastic	Polished Chrome, Matte Chrome Accent*	115.085.KH.1	
		White, Polished Chrome Accent	115.085.KJ.1	
		White, Gold Plated Accent	115.085.KK.1	
		Matte White Coated, White Accent	115.085.01.1	
		White, Matte White Accent	115.085.11.1	
		Matte Black Coated, Black Accent	115.085.16.1	
		Black, Matte Black Accent	115.085.DW.1	
		Black, Polished Chrome Accent	115.085.KM.1	
	Plastic	Polished Chrome, Matte Chrome Accent	115.080.KH.1	
		White, Polished Chrome Accent	115.080.KJ.1	
		White, Gold Plated Accent	115.080.KK.1	
		Matte White Coated, White Accent	115.080.01.1	
		White, Matte White Accent	115.080.11.1	
		Matte Black Coated, Black Accent	115.080.16.1	
		Black, Matte Black Accent	115.080.DW.1	
		Black, Polished Chrome Accent	115.080.KM.1	
	Zinc	Brushed Chrome	115.081.GH.1	
		Glass	Lava Glass	115.081.JK.1
			Grey Sand Glass	115.081.JL.1
			White Glass with Aluminum Trim	115.081.SL.1
			Black Glass with Aluminum Trim	115.081.SJ.1
	Zinc	Cover frame (when needed) Brushed Chrome	115.086.GH.1	
		Cover frame (when needed) Polished Chrome	115.086.21.1	




 Products marked with this symbol are compatible with the Geberit Control App. See note on the next page.

* For round flush buttons, the accent is a trim ring; for square flush buttons, the accent is on the button edge. See GNA7181, our flush plate brochure, for full-size images and color references.







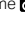
† Note: For tile, stone or other hard surfaced walls only!
 ‡ Not intended to be sold in California with 1.6 GPF units

The information contained in this document is subject to change without notice.



Dual-flush Button Electronic Controls for Concealed Installations, Omega 2x6 Installation

Style	Material	Finish	Model No.
	Stainless	Type 10 IR button and lifter, Brushed Stainless (Mains 12V)	115.956.SN.6
		Type 10 IR button and lifter, Matte Black (Mains 12V) NEW!	115.956.14.6
		Lifter for Electrical switch by others (Mains 12V)	115.955.00.6
		Connection cable for WC flush control with electronic flush actuation, mains operation	241.832.00.1
		Required Transformer for AC powered hands-free actuator (order separately)	115.861.00.6
		Extension mains cable 12V (optional accessory for Sigma10 and Sigma80) length 71" (1.8 m)	244.094.00.1
Pair with single- or dual-flush manual actuator Sigma01 to Sigma60 or cover plates)			


Dual-Flush Buttons for Concealed Installations, Omega 2x6 Installation

	Plastic	Alpine White	116.042.11.1
		Polished Chrome	116.042.21.1
		Matte Chrome	116.042.JQ.1
	Plastic	Alpine White 	116.044.11.1
	Plastic	Matte Chrome, Polished Chrome Accent	116.055.KH.1
		White, Polished Chrome Accent	116.055.KJ.1
		Gloss Black, Matte Black Accent	116.055.DW.1
		Matte Black, Gloss Black Accent	116.055.16.1
		Polished Chrome, Matte Chrome Buttons	116.051.KA.1
	Plastic	Black, Brushed Chrome Buttons	116.051.KV.1
		Brushed Chrome	116.051.GH.1
	Plastic	Polished Chrome 	116.052.21.1



Dual-Flush Buttons for Furniture Installations, Omega 2x6 Installation

	Plastic	Alpine White	116.050.11.1
		Polished Chrome	116.050.21.1
	Plastic	Matte Chrome, Polished Chrome Accent*	116.057.KH.1
		White, Polished Chrome Accent	116.057.KJ.1
		Matte Black, Gloss Black Accent	116.057.16.1
		Gloss Black, Matte Black Accent	116.057.DW.1


Single-Flush Buttons for Concealed Installations, Omega 2x6 Installation

	Plastic	Alpine White	116.040.11.1
		Polished Chrome	116.040.21.1


Extension Hoses for Flush Button Installations


(For Flush Buttons located beyond 6' from carrier)			
	Double pneumatic hose for dual flush, 78.74" (2 m) (Blue/Clear for Type01/Type10/Rectangle)	240.575.00.1	
	Pneumatic hose, 137.80" (3.5 m), for single flush for single flush	256.000.00.1	

Cover Plates for Omega Concealed Tank Pre-wall, 2x6 Installation for use with Flush Buttons

	Glass	White	115.082.SL.1
	Plastic	Customizable	115.082.00.1

Surface Even Cover Plates for Omega Concealed Tank, 2x6 Installation, for use with Flush Buttons

	Plastic	Customizable + rough-in kit†	115.087.00.1
		Customizable with frame + rough-in kit†	115.088.00.1
Note: Includes required accessory kit.			

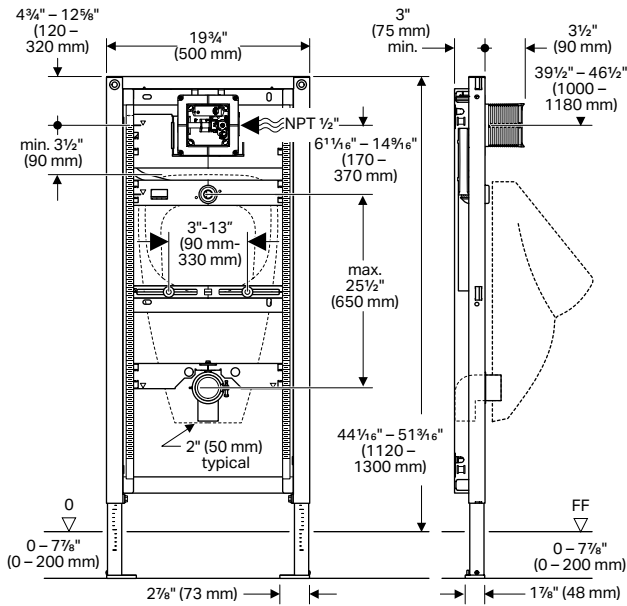
Products marked with  comply with the American Disabilities Act (ADA) when installed per the requirements of the latest ADA Accessibility Guidelines (ADAAG) and/or ICC/ANSI A117.1.

GEBERIT INSTALLATION SYSTEMS

Systems for Wall-Hung Urinals

Geberit Duofix Carrier

Model No.	Description
111.625.00.1	Carrier frame with rough-in box



NOTES:

- Carrier for 2-hole "Euro" style wall-hung urinal fixtures only
- ASSE 1001 Certified Atmospheric Vacuum Breaker included.
- Not intended to be sold in California unless paired with 0.125 GPF or less Geberit urinal flush control.
- Refer to geberit.us for latest list of code-approved compatible urinal fixtures.


Note: For System Accessories see pages 26-28.

Geberit Control – the app for your Geberit products

The Geberit Control App supports professional users with Geberit products. Use the app to check battery levels or install firmware updates. Adjust basic settings such as detection time and detection range. The app also includes helpful tips and tricks for using Geberit products. Download the Geberit Control app for free from the app store. Available for Android or iOS.

Note: The Geberit Control App replaces the "Service Handy" remote programming accessory for hands-free actuators.

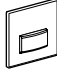



Products marked with  comply with the American Disabilities Act (ADA) when installed per the requirements of the latest ADA Accessibility Guidelines (ADAAG) and/or ICC/ANSI A117.1.

The information contained in this document is subject to change without notice.

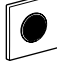
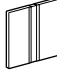
Actuators

0.5 GPF (1.9 LPF) flush volume

Style	Material	Finish	Model No.
	Zinc	Customer supplied inlay	116.016.00.5
		Alpine White	116.016.11.5
		Black	116.016.DW.5
		Brushed Chrome	116.016.GH.5
	Glass	Lava Glass	116.016.JK.5
		Grey Sand Glass	116.016.JL.5
	Stainless	Brushed Stainless Steel	116.015.SN.1
		Matte Black Coated, Black Accent	116.015.16.1
		Black, Matte Black Accent	116.015.DW.1
	Plastic	Polished Chrome, Matte Chrome Accent	116.017.KH.1
		White, Polished Chrome Accent	116.017.KJ.1
		Matte Black Coated, Black Accent	116.017.16.1
		Black, Matte Black Accent	116.017.DW.1

Hands-Free Actuators

0.5 GPF (1.9 LPF) flush volume

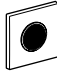
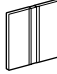
	Stainless	Brushed Stainless Steel, Polished Stainless Steel Accent (Battery/DC Power)	116.035.SN.1
		Matte Black Coated, Black Accent	116.035.16.1
		Black, Matte Black Accent	116.035.DW.1
		Brushed Stainless Steel, Polished Stainless Steel Accent, (AC Power – CLASS 2 power supply transformer included)	116.025.SN.1
		Matte Black Coated, Black Accent	116.025.16.1
		Black, Matte Black Accent	116.025.DW.1
	Zinc	Brushed Chrome (AC Power – CLASS 2 power supply transformer included)	116.026.GH.1
		Brushed PVD Red Gold (AC Power – CLASS 2 power supply transformer included)	116.026.QB.1
		Brushed PVD Black Chrome (AC Power – CLASS 2 power supply transformer included)	116.026.QD.1
		Brushed PVD Brass (AC Power – CLASS 2 power supply transformer included)	116.026.QF.1
		Brushed Chrome (Battery/DC Power)	116.036.GH.1
		Brushed PVD Red Gold (Battery/DC Power)	116.036.QB.1
		Brushed PVD Black Chrome (Battery/DC Power)	116.036.QD.1
		Brushed PVD Brass (Battery/DC Power)	116.036.QF.1


NOTE:

0.5 GPF (1.9 LPF) Actuators and Hands-Free Actuators are not intended to be sold in California.

Hands-Free Actuators

0.125 GPF (0.5 LPF) flush volume

		Rough-in set for AC (REQUIRED accessory)	116.028.00.1
		Rough-in set for (Battery/DC Power) (REQUIRED accessory)	116.038.00.1
	Stainless	Matte Black Coated, Black Accent	241.925.16.1
		Black, Matte Black Accent	241.925.DW.1
		Cover frame (optional accessory), Brushed Stainless Steel, Polished Stainless Steel Accent (AC/DC Power)	241.925.SN.1
	Zinc	Cover frame (optional accessory), Brushed Chrome (AC/DC Power)	241.926.GH.1
		Cover frame (optional accessory), Brushed PVD Red Gold (AC/DC Power)	241.926.QB.1
		Cover frame (optional accessory), Brushed PVD Black Chrome (AC/DC Power)	241.926.QD.1
		Cover frame (optional accessory), Brushed PVD Brass (AC/DC Power)	241.926.QF.1

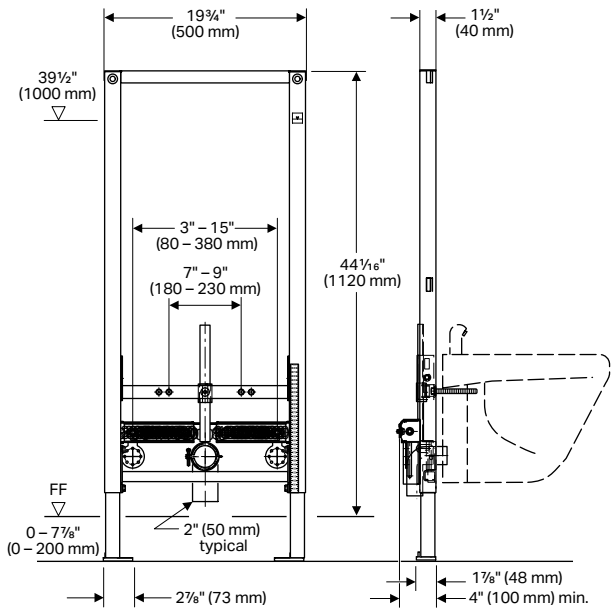
 Products marked with this symbol are compatible with the Geberit Control App. See note on this page.

GEBERIT INSTALLATION SYSTEMS

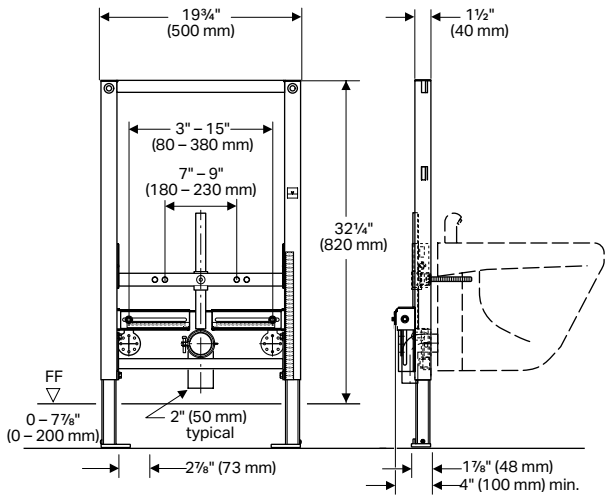
Systems for Wall-Hung Bidets, Lavatories

Geberit Duofix Bidet Carriers

Model No.	Description
111.520.00.1	Carrier frame, standard height



111.524.00.1	Carrier frame, short height (matches 111.012.00.1)
--------------	--

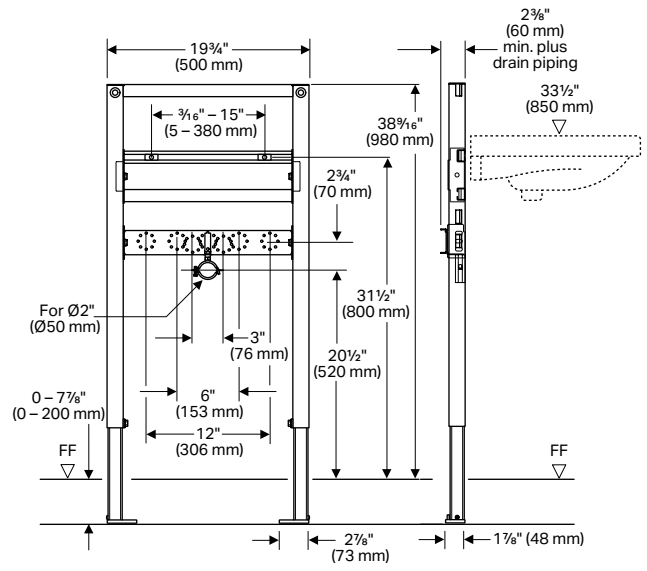


- NOTES:
1. Geberit Duofix Carrier for 2-hole wall-hung bidet fixtures only
 2. Refer to geberit.us for latest list of code-approved compatible bidet fixtures

Note: For System Accessories see pages 26-28.

Geberit Duofix Lavatory Carrier


Model No.	Description
111.490.00.1	Carrier frame, short height (matches 111.012.00.1)



- NOTES:
1. Geberit Duofix Carrier for 2-hole wall-hung lavatory fixtures only
 2. Refer to geberit.us for latest list of code-approved compatible lavatory fixtures

Note: For Lavatory Trap System see page 38.

The information contained in this document is subject to change without notice.

Products marked with  comply with the American Disabilities Act (ADA) when installed per the requirements of the latest ADA Accessibility Guidelines (ADAAG) and/or ICC/ANSI A117.1.



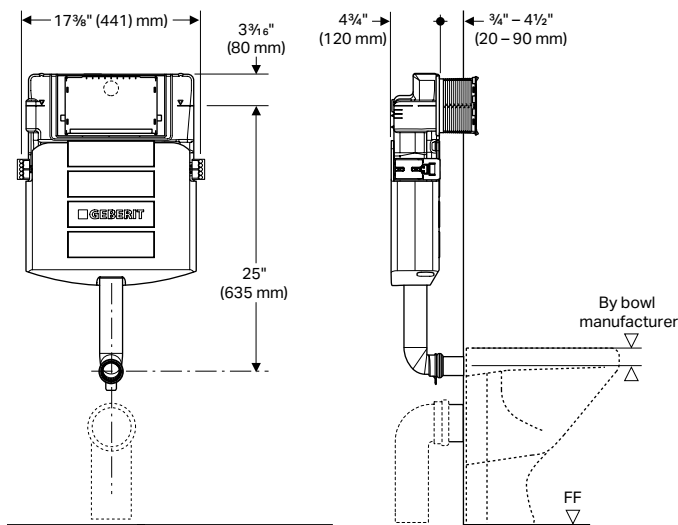
The information contained in this document is subject to change without notice.

GEBERIT FLUSHING SYSTEM

Systems for Floor-Mounted, Back Outlet Toilets, 2x6 Installation

Geberit Concealed Tank, Sigma 2x6 Installation

Model No.	Description
109.304.00.5	1.6/0.8 GPF Sigma Concealed Tank 2x6 Installation
109.307.00.5	1.28/0.8 GPF Sigma Concealed Tank 2x6 Installation

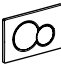
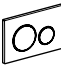
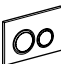


NOTES:

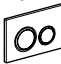
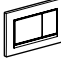
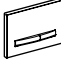
1. Concealed tank shipped dual-flush ready
2. Tank for floor-mounted, back outlet washdown style toilet fixtures only
- 3 Refer to geberit.us for latest list of code approved compatible toilet fixtures, including certified WaterSense® combinations


Note: For System Accessories see pages 26-28.

Dual-Flush Actuators, Sigma 2x6 Installation

Style	Material	Finish	Model No.
	Plastic	Alpine White	115.770.11.5
		Polished Chrome	115.770.21.5
		Matte Chrome	115.770.JQ.5
		Brass Galvanized	115.770.DT.5
		Jet Black	115.770.DW.5
	Stainless	Brushed Nickel, Polished Nickel Accent*	115.882.ID.1
		Brushed Stainless Steel, Polished Stainless Steel Accent	115.882.SN.1
		Brushed Nickel, Polished Nickel Accent, Vandal Resistant	115.889.ID.1
		Brushed Stainless Steel, Polished Stainless Steel Accent, Vandal Resistant	115.889.SN.1
		Plastic	Matte White Coated, White Accent
	White, Matte White Accent	115.882.11.1	
	Matte Black, Polished Chrome Accent	115.882.14.1	
	Matte Black Coated, Black Accent	115.882.16.1	
	Black, Matte Black Accent	115.882.DW.1	
	Matte Chrome, Polished Chrome Accent	115.882.JQ.1	
	Matte White, Polished Chrome Accent	115.882.JT.1	
	Polished Chrome, Matte Chrome Accent	115.882.KH.1	
	White, Polished Chrome Accent	115.882.KJ.1	
	White, Polished Gold Accent	115.882.KK.1	
	Black, Polished Chrome Accent	115.882.KM.1	
	Zinc PVD Red Gold Color	Customizable	115.650.00.1
		Mustang Slate	115.650.JM.1
		Concrete Look	115.650.JV.1
		Black Walnut	115.650.JX.1
		White	115.650.SI.1
		Black	115.650.SJ.1

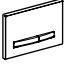
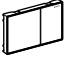
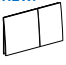

Concealed Tank, Sigma 2x6 Installation (continued)

Style	Material	Finish	Model No.
	Zinc PVD Black Chrome Color	Customizable	115.651.00.1
		Mustang Slate	115.651.JM.1
		Concrete Look	115.651.JV.1
		Black Walnut	115.651.JX.1
		White	115.651.SI.1
	Black	115.651.SJ.1	
	Zinc PVD Brass Color	Customizable	115.652.00.1
		Mustang Slate	115.652.JM.1
		Concrete Look	115.652.JV.1
		Black Walnut	115.652.JX.1
		White	115.652.SI.1
	Black	115.652.SJ.1	
	Zinc Chrome Color	Camel	115.761.00.4
		Beige	115.761.00.5
		Grey Linen	115.761.00.6
Dark Rock		115.761.00.7	
Concrete Look		115.884.JV.1	
Black Walnut		115.884.JX.1	
Customer supplied overlay		115.884.00.1	
Lava Glass		115.884.JK.1	
Grey Sand Glass		115.884.JL.1	
Mustang Slate		115.884.JM.1	
White Glass	115.884.SI.1		
Black Glass	115.884.SJ.1		
	Plastic	Matte White Coated, Coated Accent	115.883.01.1
		White, Matte White Accent	115.883.11.1
		Matte Black, Polished Chrome Accent	115.883.14.1
		Matte Black Coated, Black Accent	115.883.16.1
		Black, Matte Black Accent	115.883.DW.1
		Matte Chrome, Polished Chrome Accent	115.883.JQ.1
		Matte White, Polished Chrome Accent	115.883.JT.1
		Polished Chrome, Matte Chrome Accent	115.883.KH.1
		White, Polished Chrome Accent	115.883.KJ.1
		White, Polished Gold Accent	115.883.KK.1
Black, Polished Chrome Accent	115.883.KM.1		
	Zinc PVD Red Gold Color	Customizable	115.670.00.2
		White	115.670.11.2
		Black	115.670.DW.2
		Mustang Slate	115.670.JM.2
		Concrete Look	115.670.JV.2
	Black Walnut	115.670.JX.2	
	Brushed Red Gold	115.670.QB.2	
	Zinc PVD Black Chrome Color	Customizable	115.671.00.2
		White	115.671.11.2
		Black	115.671.DW.2
Mustang Slate		115.671.JM.2	
Concrete Look		115.671.JV.2	
Black Walnut	115.671.JX.2		
Brushed Black Chrome	115.671.QD.2		
Zinc PVD Brass Color	Customizable	115.672.00.2	
	White	115.672.11.2	
	Black	115.672.DW.2	
	Mustang Slate	115.672.JM.2	
	Concrete Look	115.672.JV.2	
	Black Walnut	115.672.JX.2	
	Brushed Brass	115.672.QF.2	

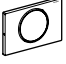
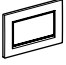
Products marked with  comply with the American Disabilities Act (ADA) when installed per the requirements of the latest ADA Accessibility Guidelines (ADAAG) and/or ICC/ANSI A117.1.

The information contained in this document is subject to change without notice.

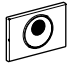
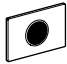



Concealed Tank, Sigma 2x6 Installation

Style	Material	Finish	Model No.		
	Zinc Chrome Color	Concrete Look	115.788.JV.2		
		Black Walnut	115.788.JX.2		
		Customizable	115.788.00.2		
		White	115.788.11.2		
		Bright Chrome	115.788.21.2		
		Black	115.788.DW.2		
		Brushed Chrome	115.788.GH.2		
		Lava Glass	115.788.JK.2		
		Grey Sand Glass	115.788.JL.2		
		Mustang Slate	115.788.JM.2		
		Smoked Glass	115.788.SD.2		
	Zinc Glass	Brushed Chrome	115.640.GH.1		
		Lava Glass	115.640.JK.1		
		Grey Sand Glass	115.640.JL.1		
		White Glass	115.640.SI.1		
		Black Glass	115.640.SJ.1		
		Rough-in set (REQUIRED accessory)	243.168.00.1		
		Cover frame (optional accessory) Polished Chrome	115.641.21.1		
		Cover frame (optional accessory) Brushed Chrome	115.641.GH.1		
			Stainless NEW!	Brushed Stainless Steel	115.622.FW.1
				Matte Black	115.622.14.1
Matte White	115.622.JT.1				
Brushed Red Gold	115.622.QB.1				
Brushed Black Chrome	115.622.QD.1				
Brushed Brass	115.622.QF.1				
Glass	Lava Glass			115.622.JK.1	
	Grey Sand Glass			115.622.JL.1	
	White Glass			115.622.SI.1	
	Black Glass			115.622.SJ.1	
				Cover frame (optional accessory), Polished Chrome	115.623.21.1
		Cover frame (optional accessory), Polished Black Chrome	115.623.QC.1		

Single-Flush Actuators, Sigma 2x6 Installation

Style	Material	Finish	Model No.	
	Stainless	Matte Black, Polished Chrome Accent	115.758.14.5	
		Matte White, Polished Chrome Accent	115.758.JT.5	
		Matte White Coated, White Accent	115.758.01.5	
		Matte Black Coated, Black Accent	115.758.16.5	
		Brushed Stainless Steel,	115.758.SN.5	
		Polished Stainless Steel Accent		
		Brushed Stainless Steel,	115.787.SN.5	
		Polished Stainless Steel Accent, Vandal Resistant		
		Plastic	Polished Chrome, Matte Chrome Accent	115.758.KH.5
			White, Polished Chrome Accent	115.758.KJ.5
			White, Polished Gold Accent	115.758.KK.5
Black, Polished Chrome Accent	115.758.KM.5			
Matte Chrome, Polished Chrome Accent	115.758.JQ.5			
	Zinc	Matte Black, Polished Chrome Accent	115.893.14.1	
		Matte White, Polished Chrome Accent	115.893.JT.1	
		Polished Gold	115.893.45.1	
		White, Polished Chrome Accent	115.893.KJ.1	
		Brushed Chrome, Polished Chrome Accent	115.893.KX.1	
		Polished Chrome, Brushed Chrome Accent	115.893.KY.1	

Dual-Flush Hands-Free Actuators and Accessories, Sigma 2x6 Installation


Style	Material	Finish	Model No.			
	Stainless	Brushed Stainless Steel,	115.890.SN.6			
		Polished Stainless Steel Accent, Vandal Resistant with manual override, mains AC 12V				
		Matte Black Coated, Black Accent, Vandal Resistant with manual override, mains AC 12V				
		Black, Matte Black Accent, Vandal Resistant with manual override, mains AC 12V				
		Brushed Stainless Steel,				
		Polished Stainless Steel Accent, Vandal Resistant (with manual override, battery 3V power)				
		Matte Black Coated, Black Accent, Vandal Resistant (with manual override, battery 3V power)				
		Black, Matte Black Accent, Vandal Resistant (with manual override, battery 3V power)				
				Plastic	Polished Chrome, Matte Chrome Accent (Mains 12V)	115.907.KH.6
					White, Polished Chrome Accent (Mains 12V)	115.907.KJ.6
					White, Polished Gold Accent (Mains 12V)	115.907.KK.6
Matte Black Coated, Black Accent (Mains 12V)	115.907.16.6					
Black, Matte Black Accent (Mains 12V)	115.907.DW.6					
	Stainless	Matte Chrome Coated, Polished Chrome Accent (Mains 12V)	115.907.JQ.6			
		Black, Polished Chrome Accent (Mains 12V)	115.907.KM.6			
		Brushed Stainless Steel,	115.907.SN.6			
		Polished Stainless Steel Accent (Mains 12V)				
		Required Transformer with 12VDC output for AC powered hands-free actuator (order separately)	115.861.00.6			
		Extension mains cable 12V (optional accessory for Sigma10 and Sigma80) length 71" (1.8 m)	244.094.00.1			
		Plastic	Polished Chrome, Matte Chrome Accent (Battery 3V)	115.908.KH.6		
			Matte Black Coated, Black Accent (Battery 3V)	115.908.16.6		
			Black, Matte Black Accent (Battery 3V)	115.908.DW.6		
			Matte Chrome Coated, Polished Chrome Accent (Battery 3V)	115.908.JQ.6		
			White, Polished Chrome Accent (Battery 3V)	115.908.KJ.6		
	Glass	White, Polished Gold Accent (Battery 3V)	115.908.KK.6			
		Black, Polished Chrome Accent (Battery 3V)	115.908.KM.6			
		Brushed Stainless Steel, Stainless Steel Accent (Battery 3V)	115.908.SN.6			
		Black (Mains 12V)	116.090.SG.6			
		Mirror (Mains 12V)	116.090.SM.6			
		Note: Sigma80 not recommended for bidet seat applications				
		Required Transformer with 12VDC output for AC powered hands-free actuator (order separately)	115.861.00.6			
		Extension mains cable 12V (optional accessory for Sigma10 and Sigma80) length 71" (1.8 m)	244.094.00.1			
		Connection cable for external button (optional accessory)	242.658.00.1			
				"Service Handy" remote programming device for Geberit touch-free devices	115.860.00.1	


Remote Programming Accessory for Hands-Free Actuators

* For round flush buttons, the accent is a trim ring; for square flush buttons, the accent is on the button edge. See GNA7181, our flush plate brochure, for full-size images and color references.

- † Note: For tile, stone or other hard surfaced walls only!
- ‡ Not intended to be sold in California with 1.6 GPF units

The information contained in this document is subject to change without notice.





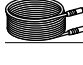



 Products marked with this symbol are compatible with the Geberit Control App. See note on the next page.

Products marked with  comply with the American Disabilities Act (ADA) when installed per the requirements of the latest ADA Accessibility Guidelines (ADAAG) and/or ICC/ANSI A117.1.









GEBERIT FLUSHING SYSTEM

Systems for Floor-Mounted, Back Outlet Toilets, 2x6 Installation



Dual-flush Button Electronic Controls for Concealed Installations, Sigma 2x6 Installation

Style	Material	Finish	Model No.
	Stainless	Type 10 IR button and lifter, Brushed Stainless (Mains 12V)	115.936.SN.6
		Lifter for Electrical switch by others (Mains 12V)	115.862.00.6
		Connection cable for WC flush control with electronic flush actuation, mains operation	241.832.00.1
		Required Transformer for AC powered hands-free actuator (order separately)	115.861.00.6
		Extension mains cable 12V (optional accessory for Sigma10 and Sigma80) length 71" (1.8 m)	244.094.00.1
		Pair with single- or dual-flush manual actuator Sigma01 to Sigma60 or cover plates)	
	Stainless	Type 10 IR button and lifter, Brushed Stainless (Battery 3V)	115.937.SN.6
		Lifter for Electrical switch by others (Mains 12V)	115.885.00.6
		Pair any lifter with single- or dual-flush manual actuator Sigma01 to Sigma60 or cover plates - order separately	

Dual-Flush Buttons for Concealed Installations, Sigma 2x6 Installation

Style	Material	Finish	Model No.
	Plastic	Alpine White	116.042.11.1
		Polished Chrome	116.042.21.1
		Matte Chrome	116.042.JQ.1
	Plastic	Alpine White 	116.044.11.1
	Plastic	Matte Chrome, Polished Chrome Accent	116.055.KH.1
		White, Polished Chrome Accent	116.055.KJ.1
		Gloss Black, Matte Black Accent	116.055.DW.1
		Matte Black, Gloss Black Accent	116.055.16.1
Rectangle 	Plastic	Polished Chrome, Matte Chrome Buttons	116.051.KA.1
		Black, Brushed Chrome Buttons	116.051.KV.1
	Zinc	Brushed Chrome	116.051.GH.1
	Plastic	Polished Chrome 	116.052.21.1

Dual-Flush Buttons for Furniture Installations, Sigma 2x6 Installation


Style	Material	Finish	Model No.
	Plastic	Alpine White	116.050.11.1
		Polished Chrome	116.050.21.1
	Plastic	Matte Chrome, Polished Chrome Accent*	116.057.KH.1
		White, Polished Chrome Accent	116.057.KJ.1
		Matte Black, Gloss Black Accent	116.057.16.1
		Gloss Black, Matte Black Accent	116.057.DW.1

* For round flush buttons, the accent is a trim ring; for square flush buttons, the accent is on the button edge. See GNA7181, our flush plate brochure, for full-size images and color references.



† Note: For tile, stone or other hard surfaced walls only!
‡ Not intended to be sold in California with 1.6 GPF units

The information contained in this document is subject to change without notice.

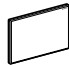
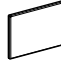
Single-Flush Buttons for Concealed Installations, Sigma 2x6 Installation

Type	Material	Finish	Model No.
Type 01† 	Plastic	Alpine White	116.040.11.1
		Polished Chrome	116.040.21.1

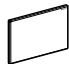
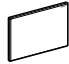
Extension Hoses for Flush Button Installations (For Flush Buttons located beyond 6' from carrier)

	Double pneumatic hose for dual-flush, 78.74" (2 m) (Blue/Clear for Type01/Type10/Rectangle)	240.575.00.1
	Pneumatic hose, 137.80" (3.5 m), for single flush	256.000.00.1



Cover Plates for Sigma Concealed Tank, Sigma 2x6 Installation, for use with Flush Buttons


	Glass	White	115.766.SI.1
	Stainless	Brushed Stainless Steel, Vandal Resistant	115.764.FW.1
		Customizable	115.766.00.1
	Plastic	Alpine White	115.768.11.1
		Polished Chrome	115.768.21.1
		Matte Chrome	115.768.46.1

Surface-even Cover Plates for Sigma Concealed Tank, 2x6 Installation, for use with Flush Buttons

	Plastic	Customizable mechanism †	115.696.00.1
	Stainless	Pre-made Cover, White, Matte White Accent	CR115-6111
		Pre-made Cover, Matte Black Coated, Black Accent	CR115-6161
		Pre-made Cover, Brushed Stainless Steel	CR115-6FW1
		Optional pre-made accessory in combination with 115.696.00.1	
		See any remote button spec sheet for details	
		Rough-in set	243.168.00.1
	Plastic	Customizable mechanism with frame †	115.697.00.1
		Rough-in set (REQUIRED accessory, purchase with one of above)	243.168.00.1

Sanitary Flush Units for Sigma Concealed Tank, 2x6 Installation

	Lifter for Mains 12V	116.109.00.6
	Lifter for Battery 3V	116.110.00.6
	Pair any lifter with single- or dual-flush manual actuator Sigma01 to Sigma60 or cover plates - order separately	

 Products marked with this symbol are compatible with the Geberit Control App. See note on this page.

 **Geberit Control – the app for your Geberit products**

The Geberit Control App supports professional users with Geberit products. Use the app to check battery levels or install firmware updates. Adjust basic settings such as detection time and detection range. The app also includes helpful tips and tricks for using Geberit products. Download the Geberit Control app for free from the app store. Available for Android or iOS.

Note: The Geberit Control App replaces the "Service Handy" remote programming accessory for hands-free actuators.





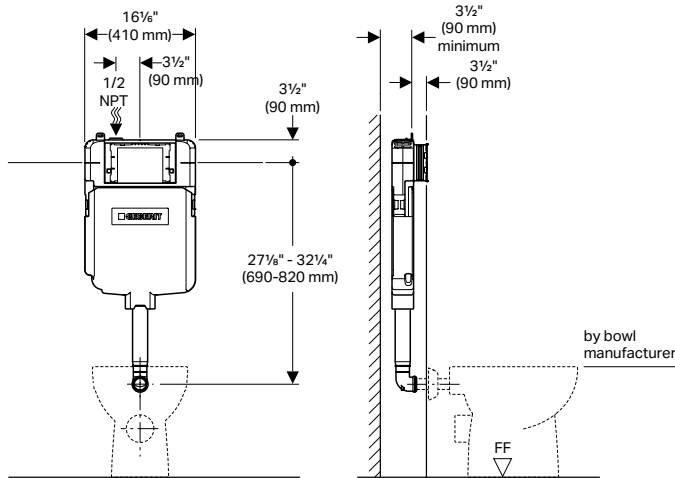
GEBERT FLUSHING SYSTEM

GEBERIT INSTALLATION SYSTEMS

Systems for Floor-Mounted, Back Outlet Toilets, 2x4 Installation

Geberit Concealed Tank, Sigma 2x4 Installation

Model No.	Description
109.797.00.1	UNTIL 12/31/23 1.6/0.8 GPF Sigma Concealed Tank 2x4 Installation
109.781.00.1	1.28/0.8 GPF Sigma Concealed Tank 2x4 Installation

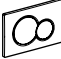
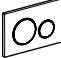


NOTES:

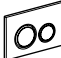
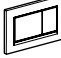
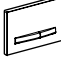
1. Concealed tank shipped dual-flush ready
2. Geberit Duofix Carrier for 2-hole washdown style wall-hung toilet fixtures only
3. Refer to geberit.us for latest list of Code approved Compatible toilet fixtures, including certified WaterSense® combinations


Note: For System Accessories see pages 26-28.

Dual-Flush Actuators, Sigma 2x4 Installation

Style	Material	Finish	Model No.	
	Plastic	Alpine White	115.770.11.5	
		Polished Chrome	115.770.21.5	
		Matte Chrome	115.770.JQ.5	
		Brass Galvanized	115.770.DT.5	
		Jet Black	115.770.DW.5	
	Stainless	Brushed Nickel, Polished Nickel Accent*	115.882.ID.1	
		Brushed Stainless Steel, Polished Stainless Steel Accent	115.882.SN.1	
		Brushed Nickel, Polished Nickel Accent, Vandal Resistant	115.889.ID.1	
		Brushed Stainless Steel, Polished Stainless Steel Accent, Vandal Resistant	115.889.SN.1	
		Plastic	Matte White Coated, White Accent	115.882.01.1
			White, Matte White Accent	115.882.11.1
	Matte Black, Polished Chrome Accent		115.882.14.1	
	Matte Black Coated, Black Accent		115.882.16.1	
	Black, Matte Black Accent		115.882.DW.1	
	Matte Chrome, Polished Chrome Accent		115.882.JQ.1	
	Zinc PVD	White	115.882.JT.1	
		Polished Chrome, Matte Chrome Accent	115.882.KH.1	
White, Polished Chrome Accent		115.882.KJ.1		
White, Polished Gold Accent		115.882.KK.1		
Black, Polished Chrome Accent		115.882.KM.1		
Zinc PVD		Customizable	115.650.00.1	
	Red	115.650.JM.1		
	Gold	115.650.JV.1		
	Color	115.650.JX.1		
	Black Walnut	115.650.SL.1		
	White	115.650.SJ.1		
Zinc PVD	Customizable	115.651.00.1		
	Black	115.651.JM.1		
	Chrome	115.651.JV.1		
	Color	115.651.JX.1		
	White	115.651.SL.1		
	Black	115.651.SJ.1		
Zinc PVD	Customizable	115.652.00.1		
	Brass	115.652.JM.1		
	Color	115.652.JV.1		
	Black Walnut	115.652.JX.1		
	White	115.652.SL.1		
	Black	115.652.SJ.1		
Zinc PVD	Brass	Camel	115.761.00.4	
		Chrome	Beige	115.761.00.5
		Color	Grey Linen	115.761.00.6
		Dark Rock	115.761.00.7	
		Concrete Look	115.884.JV.1	
		Black Walnut	115.884.JX.1	
	Zinc PVD	Customer supplied overlay	115.884.00.1	
		Lava Glass	115.884.JK.1	
		Grey Sand Glass	115.884.JL.1	
		Mustang Slate	115.884.JM.1	
		White Glass	115.884.SL.1	
		Black Glass	115.884.SJ.1	
Zinc PVD	Brass	Matte White Coated, Coated Accent	115.883.01.1	
		White, Matte White Accent	115.883.11.1	
		Matte Black, Polished Chrome Accent	115.883.14.1	
		Matte Black Coated, Black Accent	115.883.16.1	
		Black, Matte Black Accent	115.883.DW.1	
		Matte Chrome, Polished Chrome Accent	115.883.JQ.1	
Zinc PVD	Brass	Matte White, Polished Chrome Accent	115.883.JT.1	
		Polished Chrome, Matte Chrome Accent	115.883.KH.1	
		White, Polished Chrome Accent	115.883.KJ.1	
		White, Polished Gold Accent	115.883.KK.1	
		Black, Polished Chrome Accent	115.883.KM.1	
		Zinc PVD	Brass	Customizable
Red	115.670.11.2			
Gold	115.670.DW.2			
Color	Black			115.670.DW.2
Mustang Slate	115.670.JM.2			
Concrete Look	115.670.JV.2			
Zinc PVD	Brass	Black Walnut	115.670.JX.2	
		Brushed Red Gold	115.670.QB.2	
		Customizable	115.671.00.2	
		White	115.671.11.2	
		Chrome	Black	115.671.DW.2
		Color	Mustang Slate	115.671.JM.2
Zinc PVD	Brass	Concrete Look	115.671.JV.2	
		Black Walnut	115.671.JX.2	
		Brushed Black Chrome	115.671.QD.2	
		Customizable	115.672.00.2	
		White	115.672.11.2	
		Color	Black	115.672.DW.2
Zinc PVD	Brass	Black	115.672.DW.2	
		Mustang Slate	115.672.JM.2	
		Concrete Look	115.672.JV.2	
		Black Walnut	115.672.JX.2	
		Brushed Brass	115.672.QF.2	
		Black	115.650.SJ.1	

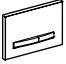
Dual-Flush Actuators, Sigma 2x4 Installation (continued)

Style	Material	Finish	Model No.			
	Zinc PVD	Customizable	115.651.00.1			
		Black	115.651.JM.1			
		Chrome	115.651.JV.1			
		Color	Concrete Look	115.651.JV.1		
		Black Walnut	115.651.JX.1			
		White	115.651.SL.1			
		Black	115.651.SJ.1			
		Zinc PVD	Brass	Customizable	115.652.00.1	
				Color	Mustang Slate	115.652.JM.1
				Concrete Look	115.652.JV.1	
				Black Walnut	115.652.JX.1	
				White	115.652.SL.1	
Black	115.652.SJ.1					
Zinc PVD	Brass	Camel	115.761.00.4			
		Chrome	Beige	115.761.00.5		
		Color	Grey Linen	115.761.00.6		
		Dark Rock	115.761.00.7			
		Concrete Look	115.884.JV.1			
		Black Walnut	115.884.JX.1			
		Customer supplied overlay	115.884.00.1			
		Lava Glass	115.884.JK.1			
		Grey Sand Glass	115.884.JL.1			
		Mustang Slate	115.884.JM.1			
		White Glass	115.884.SL.1			
		Black Glass	115.884.SJ.1			
	Plastic	Matte White Coated, Coated Accent	115.883.01.1			
		White, Matte White Accent	115.883.11.1			
		Matte Black, Polished Chrome Accent	115.883.14.1			
		Matte Black Coated, Black Accent	115.883.16.1			
		Black, Matte Black Accent	115.883.DW.1			
		Matte Chrome, Polished Chrome Accent	115.883.JQ.1			
		Matte White, Polished Chrome Accent	115.883.JT.1			
		Polished Chrome, Matte Chrome Accent	115.883.KH.1			
		White, Polished Chrome Accent	115.883.KJ.1			
		White, Polished Gold Accent	115.883.KK.1			
		Black, Polished Chrome Accent	115.883.KM.1			
			Zinc PVD	Customizable	115.670.00.2	
Red	115.670.11.2					
Gold	115.670.DW.2					
Color	Black			115.670.DW.2		
Mustang Slate	115.670.JM.2					
Concrete Look	115.670.JV.2					
Zinc PVD	Brass		Black Walnut	115.670.JX.2		
			Brushed Red Gold	115.670.QB.2		
			Customizable	115.671.00.2		
			White	115.671.11.2		
			Chrome	Black	115.671.DW.2	
			Color	Mustang Slate	115.671.JM.2	
Zinc PVD	Brass	Concrete Look	115.671.JV.2			
		Black Walnut	115.671.JX.2			
		Brushed Black Chrome	115.671.QD.2			
		Customizable	115.672.00.2			
		White	115.672.11.2			
		Color	Black	115.672.DW.2		
Zinc PVD	Brass	Black	115.672.DW.2			
		Mustang Slate	115.672.JM.2			
		Concrete Look	115.672.JV.2			
		Black Walnut	115.672.JX.2			
		Brushed Brass	115.672.QF.2			
		Black	115.650.SJ.1			

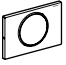
Products marked with  comply with the American Disabilities Act (ADA) when installed per the requirements of the latest ADA Accessibility Guidelines (ADAAG) and/or ICC/ANSI A117.1.

The information contained in this document is subject to change without notice.

Dual-Flush Actuators, Sigma 2x4 Installation

Style	Material	Finish	Model No.	
	Zinc	Concrete Look	115.788.JV.2	
		Black Walnut	115.788.JX.2	
	Chrome	Customizable	115.788.00.2	
		White	115.788.11.2	
	Color	Bright Chrome	115.788.21.2	
		Black	115.788.DW.2	
	Sigma60 [†]	Zinc	Brushed Chrome	115.640.GH.1
			Lava Glass	115.640.JK.1
		Glass	Grey Sand Glass	115.640.JL.1
			White Glass	115.640.SI.1
Black Glass		115.640.SJ.1		
		Rough-in set (included)	243.168.00.1	
Sigma70 <i>NEW!</i>	Stainless	Brushed Stainless Steel	115.622.FW.1	
		Matte Black	115.622.14.1	
		Matte White	115.622.JT.1	
		Brushed Red Gold	115.622.QB.1	
		Brushed Black Chrome	115.622.QD.1	
		Brushed Brass	115.622.QF.1	
Sigma80	Glass	Lava Glass	115.622.JK.1	
		Grey Sand Glass	115.622.JL.1	
		White Glass	115.622.SI.1	
		Black Glass	115.622.SJ.1	
		Cover frame (optional accessory), Polished Chrome	115.641.21.1	
		Cover frame (optional accessory), Brushed Chrome	115.641.GH.1	
Sigma90	Stainless	Brushed Stainless Steel	115.622.FW.1	
		Matte Black	115.622.14.1	
		Matte White	115.622.JT.1	
		Brushed Red Gold	115.622.QB.1	
		Brushed Black Chrome	115.622.QD.1	
		Brushed Brass	115.622.QF.1	
Sigma100	Glass	Lava Glass	115.622.JK.1	
		Grey Sand Glass	115.622.JL.1	
		White Glass	115.622.SI.1	
		Black Glass	115.622.SJ.1	
		Cover frame (optional accessory), Polished Chrome	115.623.21.1	
		Cover frame (optional accessory), Polished Black Chrome	115.623.QC.1	

Single-Flush Actuators, Sigma 2x4 Installation

Style	Material	Finish	Model No.	
	Stainless	Matte Black, Polished Chrome Accent	115.758.14.5	
		Matte White, Polished Chrome Accent	115.758.JT.5	
		Matte White Coated, White Accent	115.758.01.5	
		Matte Black Coated, Black Accent	115.758.16.5	
		Brushed Stainless Steel, Polished Stainless Steel Accent	115.758.SN.5	
		Brushed Stainless Steel, Polished Stainless Steel Accent, Vandal Resistant	115.787.SN.5	
		Plastic	Polished Chrome, Matte Chrome Accent	115.758.KH.5
			White, Polished Chrome Accent	115.758.KJ.5
			White, Polished Gold Accent	115.758.KK.5
			Black, Polished Chrome Accent	115.758.KM.5
Sigma30 [†]	Zinc	Matte Black, Polished Chrome Accent	115.893.14.1	
		Matte White, Polished Chrome Accent	115.893.JT.1	
		Polished Gold	115.893.45.1	
		White-Polished Chrome-White	115.893.KJ.1	
Sigma40	Zinc	Brushed Chrome-Polished Chrome-Brushed Chrome	115.893.KX.1	
		Polished Chrome-Brushed Chrome-Polished Chrome	115.893.KY.1	






* For round flush buttons, the accent is a trim ring; for square flush buttons, the accent is on the button edge. See GNA7181, our flush plate brochure, for full-size images and color references.

[†] Note: For tile, stone or other hard surfaced walls only!


[‡] Not intended to be sold in California with 1.6 GPF units

The information contained in this document is subject to change without notice.

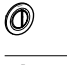





Dual-Flush Hands-Free Actuators and Transformer, Sigma 2x4 Installation

Style	Material	Finish	Model No.
	Stainless	Brushed Stainless Steel, Polished Stainless Steel Accent, Vandal Resistant (with manual override, mains AC 12V)	115.856.SN.6
		Matte Black Coated, Black Accent, Vandal Resistant (with manual override, mains AC 12V)	115.856.16.6
		Black, Matte Black Accent, Vandal Resistant (with manual override, mains AC 12V)	115.856.DW.6
		Required Transformer with 12VDC output for AC powered hands-free actuator (order separately)	115.861.00.6
	Stainless	Extension mains cable 12V (optional accessory for Sigma10 and Sigma80) length 71" (1.8 m)	244.094.00.1
		Required Transformer with 12VDC output for AC powered hands-free actuator (order separately)	115.861.00.6
	Glass	Black (Mains 12V)	116.092.SG.6
		Mirror (Mains 12V)	116.092.SM.6
		Note: Sigma80 not recommended for bidet seat applications	
		Required Transformer with 12VDC output for AC powered hands-free actuator (order separately)	115.861.00.6
	Stainless	Extension mains cable 12V (optional accessory for Sigma10 and Sigma80) length 71" (1.8 m)	244.094.00.1
		Connection cable for external button (optional accessory) length 78-3/4" (2 m)	242.658.00.1
	Plastic	"Service Handy" remote programming device for Geberit touch-free devices	115.860.00.1


Remote Programming Accessory for Hands-Free Actuators

	"Service Handy" remote programming device for Geberit touch-free devices	115.860.00.1
---	--	--------------



Dual-Flush Buttons for Concealed Installations, Sigma 2x4 Installation


Style	Material	Finish	Model No.
	Plastic	Alpine White	116.043.11.1
		Polished Chrome	116.043.21.1
		Matte Chrome	116.043.JQ.1
	Plastic	Alpine White 	116.045.11.1
		Matte Chrome, Polished Chrome Accent	116.056.KH.1
	Plastic	White, Polished Chrome Accent	116.056.KJ.1
		Gloss Black, Matte Black Accent	116.056.DW.1
		Matte Black, Gloss Black Accent	116.056.16.1
		Polished Chrome, Matte Chrome Buttons	116.053.KA.1
	Zinc	Black, Brushed Chrome Buttons	116.053.KV.1
		Brushed Chrome	116.053.GH.1
	Plastic	Polished Chrome	116.054.21.1


Single-Flush Buttons for Concealed Installations, Sigma 2x4 Installation

Style	Material	Finish	Model No.
	Plastic	Alpine White	116.041.11.1
		Polished Chrome	116.041.21.1

Extension Hoses for Flush Button Installations

(For Flush Buttons located beyond 6' from carrier)		
	Double pneumatic hose for dual-flush, 78.74" (2 m) (Blue/Clear for Type01/Type10/Rectangle)	240.575.00.1
	Pneumatic hose, 137.80" (3.5 m), for single flush	256.000.00.1


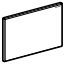
 Products marked with this symbol are compatible with the Geberit Control App. See note on the next page.

Products marked with  comply with the American Disabilities Act (ADA) when installed per the requirements of the latest ADA Accessibility Guidelines (ADAAG) and/or ICC/ANSI A117.1.

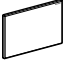
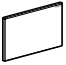
GEBERIT INSTALLATION SYSTEMS

Systems for Wall-Hung Toilets, 2x4 Installation

Cover Plates for Concealed Tank, Sigma 2x4 Installation, for use with Flush Buttons

	Glass	White	115.766.SI.1
	Stainless	Brushed Stainless Steel, Vandal Resistant	115.764.FW.1
		Customizable	115.766.00.1
	Plastic	Alpine White	115.768.11.1
		Polished Chrome	115.768.21.1
		Matte Chrome	115.768.46.1

Surface-even Cover Plates for Sigma Concealed Tank, 2x6 Installation, for use with Flush Buttons

	Plastic	Customizable mechanism †	115.696.00.1
	Stainless	Pre-made Cover, White, Matte White Accent	CR115-6111
		Pre-made Cover, Matte Black Coated, Black Accent	CR115-6161
		Pre-made Cover, Brushed Stainless Steel Optional pre-made accessory in combination with 115.696.00.1 See any remote button spec sheet for details	CR115-6FW1
	Plastic	Customizable mechanism with frame †	115.697.00.1
		Note: Required accessory kit 243.168.00.1 is included with 111.597.00.1 and 111.798.00.1 carrier.	

† Note: For tile, stone or other hard surfaced walls only!
‡ Not intended to be sold in California with 1.6 GPF units

The information contained in this document is subject to change without notice.



Geberit Control – the app for your Geberit products

The Geberit Control App supports professional users with Geberit products. Use the app to check battery levels or install firmware updates. Adjust basic settings such as detection time and detection range. The app also includes helpful tips and tricks for using Geberit products. Download the Geberit Control app for free from the app store. Available for Android or iOS.

Note: The Geberit Control App replaces the "Service Handy" remote programming accessory for hands-free actuators.

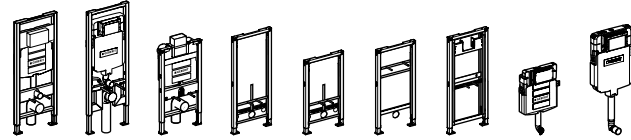




The information contained in this document is subject to change without notice.

GEBERIT SYSTEM ACCESSORIES

Geberit Optional and Required Accessories for Installation



Description	Model Number	111.335	111.798	111.012	111.520	111.524	111.490	111.625	109.304	109.781
		111.902	111.597	111.018					109.307	109.797

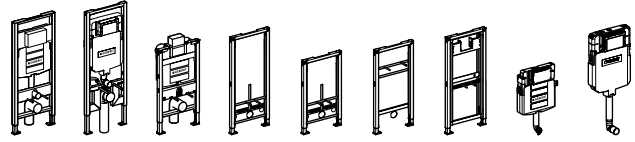
OPTIONAL Connection Sets and Accessories for Finished Walls up to 3.5" (9cm) Thick

	PE syphon trap with horizontal outlet and seal; Ø1.96" (Ø50 mm) outlet	152.950.11.1							✓		
	PE syphon trap with vertical outlet and seal; Ø1.97" (Ø50 mm) outlet	152.951.11.1							✓		
	Acoustic insulation set for wall-hung toilets and bidets	156.050.00.1	✓	✓	✓	✓	✓				
	Cover caps with leveling washer, plastic, Alpine White	217.713.11.1	✓	✓	✓	✓	✓	✓			
	HDPE connection set with 1" (2.5 cm) offset and mounting hardware (bowl installation kit); with socket for Ø3.50" (Ø90 mm) push fit piping and Ø2.16" (Ø55 mm) supply inlet; Matte Chrome cover caps	405.116.00.1	✓	✓	✓					✓	✓

REQUIRED Connection Sets and Accessories for Finished Walls 3.5" - 7.0" (9-18cm) Thick

	HDPE Connector set for extended installation and mounting hardware (bowl installation kit), with socket for Ø3.50" (Ø90 mm) push fit piping and Ø2.16" (Ø55 mm) supply inlet; Matte Chrome cover caps	152.438.46.1	✓	✓	✓					✓	✓
	Extension set for actuator plates for Sigma Concealed Tanks 2x6 and 2x4, Kappa and Omega Concealed Tanks	240.938.00.1	✓	✓	✓					✓	✓
	Mud guard protection housing for Sigma Concealed Tanks 2x6 and 2x4, plastic, 4 inch (10 cm)	241.826.00.1	✓	✓						✓	✓
	Mud guard protection housing and extension set for urinal carrier	241.930.00.1							✓		
	Mounting rod M12 x 10" long. Not supplied.	M12 x 10"	✓	✓	✓	✓	✓				
	Mounting rod M10 x 10" long. Not supplied.	M10 x 10"						✓			
	Mounting rod M8 x 10" long. Not supplied.	M8 x 10"							✓		

The information contained in this document is subject to change without notice.



Description	Model Number	111.335	111.798	111.012						109.304	109.781
		111.902	111.597	111.018	111.520	111.524	111.490	111.625	109.307	109.797	

OPTIONAL Installation Accessories for Bidet Seats

	Water supply hose for bidet seat for Kappa and Omega Concealed Tank pre-wall. For adding bidet seat to an installed carrier. For complete installation, must order with 249.801.00.1.	240.839.00.1			✓							
	Water supply hose for bidet seat for 111.597.00.1 and 111.798.00.1 carrier with Sigma Concealed Tank 2x4. For adding bidet seat to an installed carrier. For complete installation, must order with 249.801.00.1.	243.173.00.1		✓								
	Water supply hose for bidet seat add-on after finished installation of Sigma 2x6 and 2x4, Kappa and Omega Concealed Tanks.	249.801.00.1	✓	✓	✓							

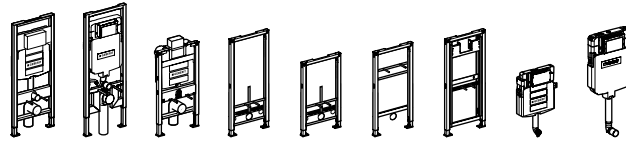
OPTIONAL Installation Accessories for Geberit Duofix Carrier Frames

	Frame to wall anchoring for 5.125"-7.875" (13-20 cm) thick unfinished pre-wall	111.013.00.1		✓								
	Frame to wall anchoring for 5.125"-7.875" (13-20 cm) thick unfinished pre-wall	111.815.00.1	✓		✓	✓	✓	✓	✓			
	Frame to wall anchoring for 5.125"-7.875" (13-20 cm) thick unfinished pre-wall corner installations	111.835.00.1	✓	✓	✓	✓	✓	✓	✓			
	Support brackets for wall-hung toilets with small contact surface (thin profiles)	111.847.00.1	✓		✓							
	Fire protection set for Sigma Concealed Tank 90 min. fire resistance to DIN EN 1364-1:1999-10	111.863.00.1	✓									
	Reinforcing member for Geberit Duofix element for lavatory to increase load rating to 660 lbs (300 kg)	111.040.00.1						✓				
	Frame to wall anchoring where foot installations into floor are not allowed for 5.125"-9.50" (13-24 cm)	111.064.00.1	✓	✓	✓	✓	✓	✓	✓			
	Fastening set for sinks with 14.9"-22.8" (38-58 cm) mounting centers	111.868.00.1						✓				
	Frame to stud fastening set for extended stud spacing from 19.75"-25.56" (50-65 cm)	111.869.00.1	✓	✓	✓	✓	✓	✓	✓			
	Frame to wall anchoring extensions for 7.875"-15.75" (20-40 cm) thick (unfinished pre-wall)	111.887.00.1	✓	✓	✓	✓	✓	✓	✓			
	Crossbar for inlet 1/2" thread	242.042.00.1								✓		
	Retrofit adapter for inlet, 1/2" thread	242.309.00.1								✓		
	Elbow supply fitting set, Gun Metal	465.034.00.2				✓	✓	✓				

The information contained in this document is subject to change without notice.

GEBERIT SYSTEM ACCESSORIES

Geberit Optional and Required Accessories for Installation



Description	Model Number	111.335	111.798	111.012	111.520	111.524	111.490	111.625	109.304	109.781
		111.902	111.597	111.018					109.307	109.797

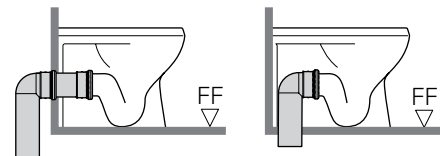
OPTIONAL Installation Waste Fitting Accessories

	PP connector set with bend for floor-mount toilets with mounting hardware, 1 x 90° bends with socket for Ø4.375" (Ø110 mm) push fit piping for Ø3.82"-4.21" (Ø97-107 mm) male connection and expansion to Ø4.375" (Ø110 mm) outlet	152.647.00.1								✓ (For A or B discharge. See below)	✓
	HDPE waste fitting outlet bend, 1 x 90° bend with socket for Ø3.50" (Ø90 mm) push fit piping and Ø3.50" (Ø90 mm) outlet	366.061.16.1								✓ (For A discharge. See below)	✓
	HDPE straight connector with socket for Ø3.50" (Ø90 mm) push fit piping and Ø3.50" (Ø90 mm) outlet x 12" (31 cm) long	366.887.16.1	✓	✓	✓					✓ (For A discharge. See below)	✓
	HDPE connector with offset for LH horizontal drain connections (as viewed from sitting position), 1 x 90° bend with socket for Ø3.50" (Ø90 mm) push fit piping, with 45° offset and Ø3.50" (Ø90 mm) outlet for 5.5" (13.97 cm) minimum walls only.	366.913.16.1	✓	✓	✓					✓ (For A discharge. See below)	✓
	HDPE connector with offset for RH horizontal drain connections (as viewed from sitting position), 1 x 90° bend with socket for Ø3.50" (Ø90 mm) push fit piping, with 45° offset and Ø3.50" (Ø90 mm) outlet for 5.5" (13.97 cm) minimum walls only.	366.914.16.1	✓	✓	✓					✓ (For A discharge. See below)	✓
	Cast iron fitting; 90° 3.5" (90 mm) inlet, 3" outlet, 2" NPTF heel outlet	367.072.18.1	✓	✓	✓					✓ (For A discharge. See below)	✓
	HDPE "Back-to-back" connector for horizontal drain connections; 2 x 90° bends with sockets for Ø3.50" (Ø90 mm) push fit piping, with 45° offset and expansion to Ø4.375" (Ø110 mm) outlet for 10.75" (27.31 cm) minimum walls only.	367.485.16.1	✓	✓	✓					✓ (For A or B discharge. See below)	✓
	HDPE "Back-to-back" connector for vertical drain connections; 2 x 90° bends with sockets for Ø3.50" (Ø90 mm) push fit piping and expansion to Ø4.375" (Ø110 mm) outlet for 10.75" (27.31 cm) minimum walls only.	367.923.16.1	✓	✓	✓					✓ (For A or B discharge. See below)	✓

Note: Any of these fittings in combination with Geberit installation systems are cUPC and IPC listed.

Waste Fitting Discharge Configurations for Floor Mount Back Outlet Toilets

Note: Mounting collar/clamp by installer



A. Floor-Mount Rear Discharge into Wall

B. Floor-Mount Rear Discharge into Floor

The information contained in this document is subject to change without notice.



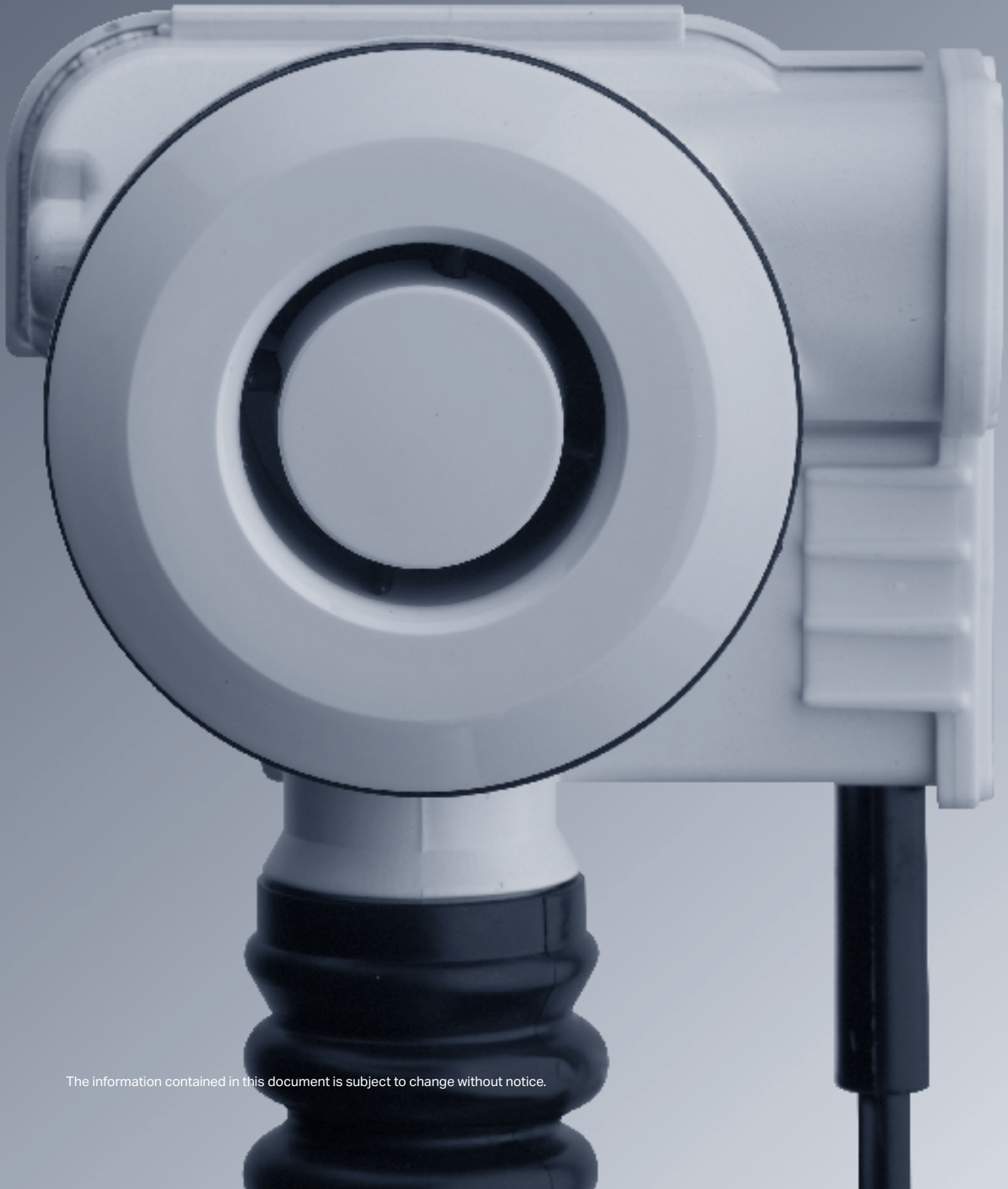
The information contained in this document is subject to change without notice.



The information contained in this document is subject to change without notice.

GEBERIT

BATH WASTE AND TRAP SYSTEMS



GEBERIT BATH WASTE AND TRAP SYSTEMS

Trim Finishes and Rough-In Unit Materials

IT'S GEBERIT

IT'S CABLE-OPERATED

Unlike other styles of bath drains, the Geberit Bath Waste and Trap critical working parts are outside the waterway to prevent clogging. The high quality cable is crafted from Teflon® coated stainless steel and has a plastic sleeve to deliver years of trouble-free service.

STYLES TO MEET YOUR NEEDS



PushControl BWO

The Geberit PushControl BWO offers a thin, elegant look.



Traditional TurnControl BWO

The Geberit "original" was first-to-market over 25 years ago.



Cascading Tub Filler BWO

An integrated system that combines the functionality of filling and draining into one component.

SELECTING A TRIM FINISH

The distinctive contoured handles are offered in a wide variety of finishes to match almost any décor. ForeverShine™ finishes have been developed to ensure that the quality and look of the product on which it is applied will last a lifetime. Clean up is simple and requires no abrasive cleansers or chemicals so maintaining the original factory finish is easy.

We are so confident of this finish process that we provide a limited lifetime warranty on ForeverShine™ products installed in residential applications.

Finish	Metal	Plastic
Alpine White (11)		■
Polished Chrome (21)	■	■
Bone (AA)		■
White (DY)		■
Biscuit (FF)		■
Hard Coat Oil Rubbed Bronze (HM)	■	
ForeverShine™ PVD Polished Nickel (IB)	■	
ForeverShine™ PVD Brushed Nickel (ID)	■	

MATERIAL SELECTION

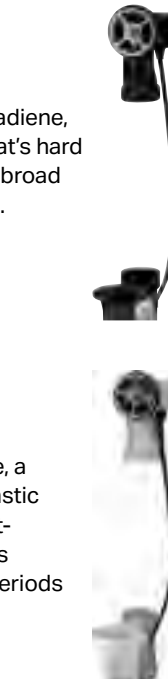
Tubular Plastic

Plastic (polypropylene) is used chiefly for molded parts, electrical insulation, packaging.



Tubular Brass

Brass is a yellowish alloy of copper and zinc used for enhancing items such as the Geberit BWO.



ABS

ABS (Acrylonitrile, Butadiene, Styrene) is a plastic that's hard and durable through a broad range of temperatures.

PVC

PVC, polyvinyl chloride, a widely used thermoplastic polymer, is tough, dent-resistant and maintains properties over long periods of time.

SELECTING A REMOTE

The Geberit Remote BWO Cable Drain features the same quality and performance as our full line of bath waste and overflow products, but with remote access possibilities. Its unique two-headed design gives you the flexibility of handle placement for ADA applications.



JOINTS

Slip joints are used when the drain will be accessible for maintenance. Glued joints are used for non-accessible drains. Geberit supplies tubing for slip connections with BWOs, but does NOT supply ABS/PVC piping for glued connections.

GEBERIT BATH WASTE AND TRAP SYSTEMS

Selecting the Right Size Bath Waste and Overflow

FOR CONVENIENCE, USE THIS PAGE WHEN SIZING YOUR CABLE LENGTH.

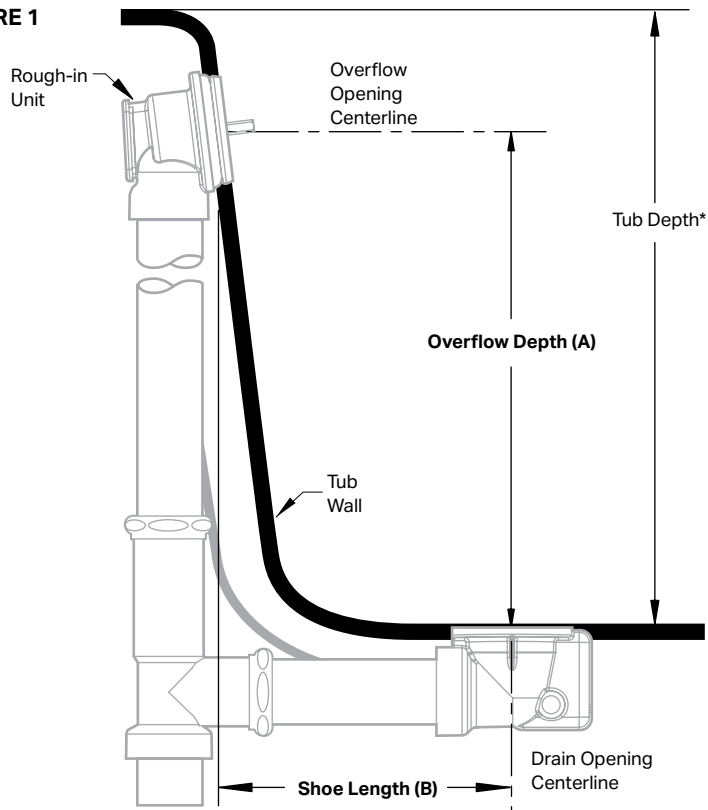
Sizing a Geberit cable drain is simple. Start with acquiring the **Tub Depth** (see **FIGURE 1**), which serves as a rough guide for your final selection. While the actual definition of “tub depth” varies by manufacturer and model, the measurement is used to get a rough idea of the cable length you will need. Use the **Standard Rough-In Unit Cable Lengths** chart (below, right) to determine cable length based on your tub depth.

To assure your rough calculations are correct and your BWO will function properly, however, please follow these steps (refer to **FIGURE 1**).

1. Determine the **Overflow Depth (A)** which is the distance from the overflow center to drain mounting surface.
2. Determine the **Drain Shoe Length (B)** which is the distance from the drain centerline to the overflow mounting surface.
3. Choose **material** and joint **connection type**. Because material selection and joint preparations selection are covered by local codes, be sure a professional contractor is involved. Geberit offers a complete spectrum of BWO materials to assure code compliance (see page 33). The materials offered are Tubular Polypropylene, Tubular Brass, ABS and PVC.
4. To determine the **final size** of your BWO for **Tubular Slip-Joint** Plastic/Brass cable drain, use **FIGURE 2** on page 35. To determine the final size of your BWO for **glued** ABS/PVC cable drain, use **FIGURE 3** on page 35.
5. Your information can now be used to find the part number on each type of Geberit BWO.

Once you have determined the size and part number, you can also give this information to your sales outlet so they can verify you have the right Geberit model for your needs.

FIGURE 1



Standard Rough-In Unit Cable Lengths

Key	Typical Tub Depth*	Cable Length
■	12"–16" (301–402)	17" (432)
■	17"–24" (427–602)	27" (678)
■	17"–24" (427–602)	33" (828)
■	25"–29" (628–728)	43" (1,079)
■	30" (753)	59" (1,481)

* Varies by manufacturer and model number. Non-standard sizes, please refer to geberit.us

FIGURE 2

Standard Tubular Slip Joint Rough-In Unit Cable Length Configuration Guide

Use this chart to figure cable needed for Plastic/Brass standard Tubular installations.

Example:

Ⓐ Overflow Depth = 14"

Ⓑ Drain Shoe Length = 7.5"

Requires a Rough-In Unit with a cable length of 27".

Custom installations can be achieved using standard Tubular Rough-In Units provided cable length is within acceptable range illustrated by shaded areas in guide.

Geberit recommends you review any custom installations with your sales outlet to assure you have the right model for your needs.

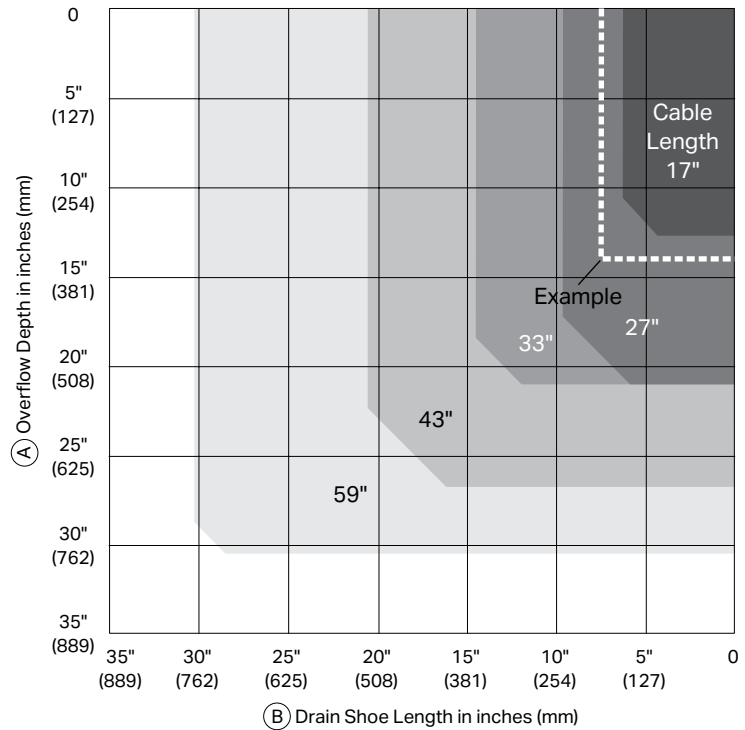
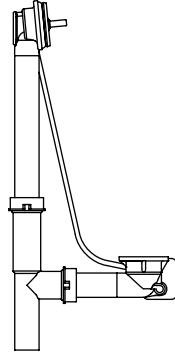


FIGURE 3

ABS/PVC Glued Rough-In Unit Cable Length Configuration Guide*

Use this chart to figure cable length needed for ABS/PVC glued custom installations.

Shaded areas indicate acceptable range of measurements for each cable length.

Example:

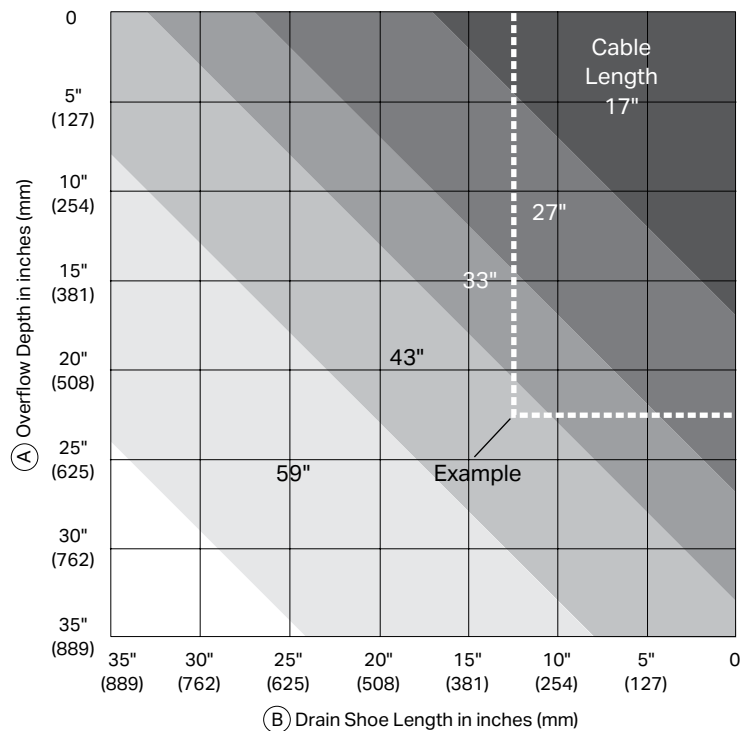
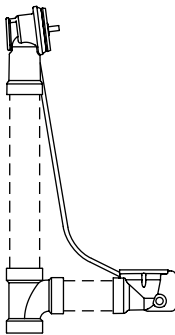
Ⓐ Overflow Depth = 22.5"

Ⓑ Drain Shoe Length = 12.5"

Requires a Rough-In Unit with a cable length of 43".

Geberit recommends you review any custom installations with your sales outlet to assure you have the right model for your needs.

* ABS/PVC pipes not supplied



GEBERIT BATH WASTE AND TRAP SYSTEMS

TurnControl BWO Systems

TurnControl Rough-In Unit

Does not include Trim Kit (see page 37) (Fits Tub Wall Thickness 1/16"–5/16") (Figs. A & B)



Description	Model No.	Tub Depth*	Cable Length	Overflow Depth	Drain Shoe Length		
Tubular Plastic Rough-In (Fig. A) 1½" Tubular plastic slip joint with PVC Tee connection	151.501.00.1	12"–16"	17"	Use FIGURE 2 on page 35			
	151.504.00.1	17"–24"	27"				
	151.508.00.1	17"–24"	33"				
	151.512.00.1	25"–29"	43"				
	151.515.00.1	30"	59"				
Tubular Brass Rough-In (Fig. A) 1½" Tubular Brass slip joint with Brass Tee connection	151.450.00.1	17"–24"	27"				
Tubular Brass Rough-In (Fig. A) 1½" Tubular Brass slip joint with Brass Chicago Code Tee	151.460.00.1	17"–24"	27"				
ABS Rough-In (Fig. B) 1½" ABS Sch 40 for glued joint (Pipes not supplied)	151.502.00.1	12"–16"	17"			Use FIGURE 3 on page 35	
	151.505.00.1	17"–24"	27"				
	151.510.00.1	17"–24"	33"				
	151.513.00.1	25"–29"	43"				
	151.516.00.1	30"	59"				
PVC Rough-In (Fig. B) 1½" PVC Sch 40 for glued joint. (Pipes not supplied)	151.503.00.1	12"–16"	17"				
	151.506.00.1	17"–24"	27"				
	151.511.00.1	17"–24"	33"				
	151.514.00.1	25"–29"	43"				
	151.517.00.1	30"	59"				

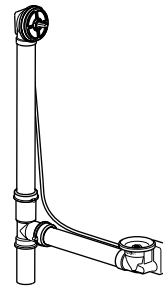


Fig. A
Tubular Rough-In Unit

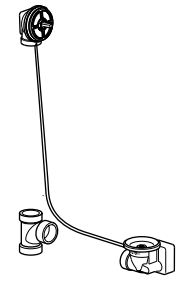


Fig. B
ABS/PVC Rough-In Unit

TurnControl Remote Control Rough-In Unit

Does not include Trim Kit (see page 37) (Figs. C & D)



Description	Model No.	Tub Depth*	Cable Length	Overflow Depth	Drain Shoe Depth
Tubular Plastic Rough-In (Fig. C)	151.518.00.1	17"–24"	59"	—	—
ABS Rough-In (Fig. D)	151.519.00.1	17"–24"	59"	—	—
PVC Rough-In (Fig. D)	151.520.00.1	17"–24"	59"	—	—

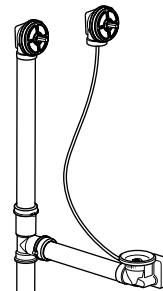


Fig. C
Tubular Remote Control Rough-In Unit

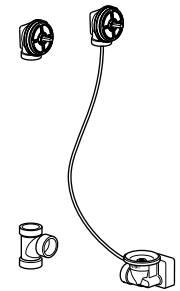


Fig. D
ABS/PVC Remote Control Rough-In Unit

TurnControl Rough-In Unit (Non-Standard)

Does not include Trim Kit (see page 37) (Fits Tub Wall Thickness 1/16"–5/16") (Fig. A)



Description	Model No.	Tub Depth*	Cable Length	Overflow Depth	Drain Shoe Depth
Tubular Plastic Rough-In (Fig. A)	150.183.00.1	17"–24"	33"	30.50"	20.50"
(Non-Standard)	150.184.00.1	25"–29"	43"	30.50"	30.00"

Fully detailed information can be found at geberit.us

TurnControl Complete Unit

Includes Trim Kit and Tubular Plastic Rough-In Unit (Fits Tub Wall Thickness 1/16"–5/16") (Figs. E)



Material	Finish	Tub Depth*	Cable Length	Overflow Depth	Drain Shoe Length	Traditional Model No. (Fig. E)
Metal	ForeverShine™ PVD Brushed Nickel	17"–24"	27"	Use FIGURE 2 on page 35		150.176.ID.1
	Polished Chrome	17"–22"	27"			150.176.21.1
	Hard Coat Oil Rubbed Bronze	17"–22"	27"			150.176.HM.1
	ForeverShine™ PVD Polished Nickel	17"–22"	27"			150.176.IB.1
Plastic	Polished Chrome	17"–24"	27"			150.156.21.1
	White	17"–24"	27"			150.156.DY.1
	Biscuit	17"–24"	27"			150.156.FF.1

* Tub Depth is only a rough calculation. To ensure proper cable length, refer to information on pages 34 and 35.

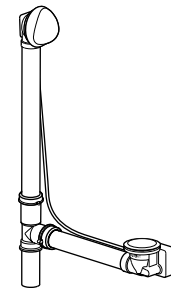



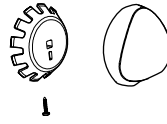
Fig. E
Traditional TurnControl Tubular Rough-In Complete Unit

The information contained in this document is subject to change without notice.

TurnControl Trim Kit – Includes Handle and Plunger

		Model No.
		
Material	Finish	Traditional
Metal	Polished Chrome	151.551.21.1
	Hard Coat Oil Rubbed Bronze	151.551.HM.1
	ForeverShine™ PVD Polished Nickel	151.551.JB.1
	ForeverShine™ PVD Brushed Nickel	151.551.ID.1
Plastic	Alpine White	151.550.11.1
	Matte Black Coated	151.550.16.1
	Polished Chrome	151.550.21.1
	Bone	151.550.AA.1
	White	151.550.DY.1
	Biscuit	151.550.FF.1

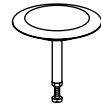
Traditional Plastic Handle



Traditional Metal Handle





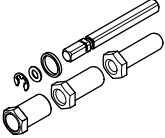
Plunger



TurnControl, Remote Control Trim Kit

Note: if ordering a TurnControl Remote Control Rough-in Unit (page 36), you must order two TurnControl Trim Kits in the desired finish to complete the installation.

TurnControl Accessories

	Description	Model No.
	ADA Handle Extension, Polished Chrome. For Metal Handles Only	241.789.21.1
	Test Plug Kit	240.691.00.1
	Extended Tub Wall Thickness Kit 3/8"-1/2", Tubular Plastic/Brass Rough-In	241.769.00.1
	Extended Tub Wall Thickness Kit 3/8"-1/2", ABS/PVC Rough-In	241.771.00.1
	Extended Tub Wall Thickness Kit 3/8"-1/2", Tub Filler	241.772.00.1
	Extended Tub Wall Thickness Kit 9/16"-3/4", Tubular/Brass Rough-In	241.773.00.1
	Extended Tub Wall Thickness Kit 9/16"-3/4", ABS/PVC Rough-In	241.774.00.1
	Extended Tub Wall Thickness Kit 9/16"-3/4", Tub Filler	241.775.00.1

GEBERIT BATH WASTE AND TRAP SYSTEMS

PushControl BWO Systems

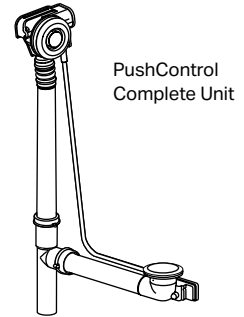
PushControl Complete Unit

Includes Trim Kit, Tubular Plastic Rough-In Unit and Installation Tools (Fits Tub Wall Thickness 1/16"–1/2")



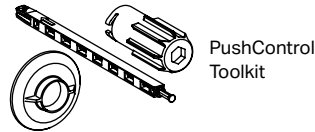
Material	Finish	Model No.	Tub Depth*	Cable Length	Overflow Depth	Drain Shoe Length
Metal	Polished Chrome	151.603.21.1	17"–24"	27"	Use FIGURE 2 on page 35	
		151.605.21.1	17"–24"	33"		
	ForeverShine™ PVD Brushed Nickel	151.603.ID.1	17"–24"	27"		
		151.605.ID.1	17"–24"	33"		
Plastic	Polished Chrome	151.602.21.1	17"–24"	27"		
		151.604.21.1	17"–24"	33"		

Note: ForeverShine™ finishes ensure the quality and look of your Geberit BWO will last a lifetime. Geberit offers a limited lifetime warranty on ForeverShine™ products installed in residential applications.



PushControl Accessories

Description	Model No.
PushControl Toolkit (Included with purchase of each PushControl Complete Unit)	241.729.00.1

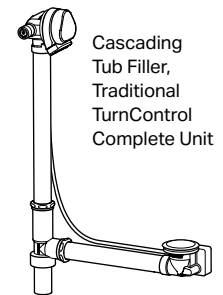


TurnControl BWO Systems with Cascading Tub Filler

Cascading Tub Filler, Complete Unit

Includes Trim Kit, Tubular Brass Rough-In Unit and Installation Tools (Fits Tub Wall Thickness 1/16"–1/2")

Material	Finish	Model No.	Tub Depth*	Cable Length	Overflow Depth	Drain Shoe Length	Tub Wall Thickness
Metal	Polished Chrome	151.466.21.1	17"–24"	27"	Use FIGURE 2 on page 35		1/16"–5/16"
		151.467.21.1	17"–24"	27"			3/8"–1/2"
		151.468.21.1	17"–24"	27"			9/16"–3/4"



Cascading Tub Filler, TurnControl ADA Handle Extension

Description	Model No.
ADA Handle Extension, Polished Chrome	241.789.21.1

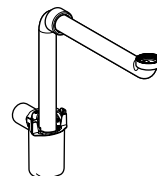


Lavatory Traps

Includes rough-in piping, trap, seals and mounting hardware configured especially for the tight spaces of vanity mounted sinks

Material	Finish	Model No.	Description
Plastic	Alpine White	151.116.11.1	Outlet tube size 1-1/4" (32 mm) and sink connection thread G1-1/4"
		151.117.11.1	Outlet tube size 1-9/16" (40 mm) and sink connection thread G1-1/4"
		151.118.11.1	Outlet tube size 1-1/4" (32 mm) and sink connection thread G1-1/4" plus various adapters

* Tub Depth is only a rough calculation. To ensure proper cable length, refer to information on pages 34 and 35.



The information contained in this document is subject to change without notice.

GEBERIT REPLACEMENT PARTS



The information contained in this document is subject to change without notice.

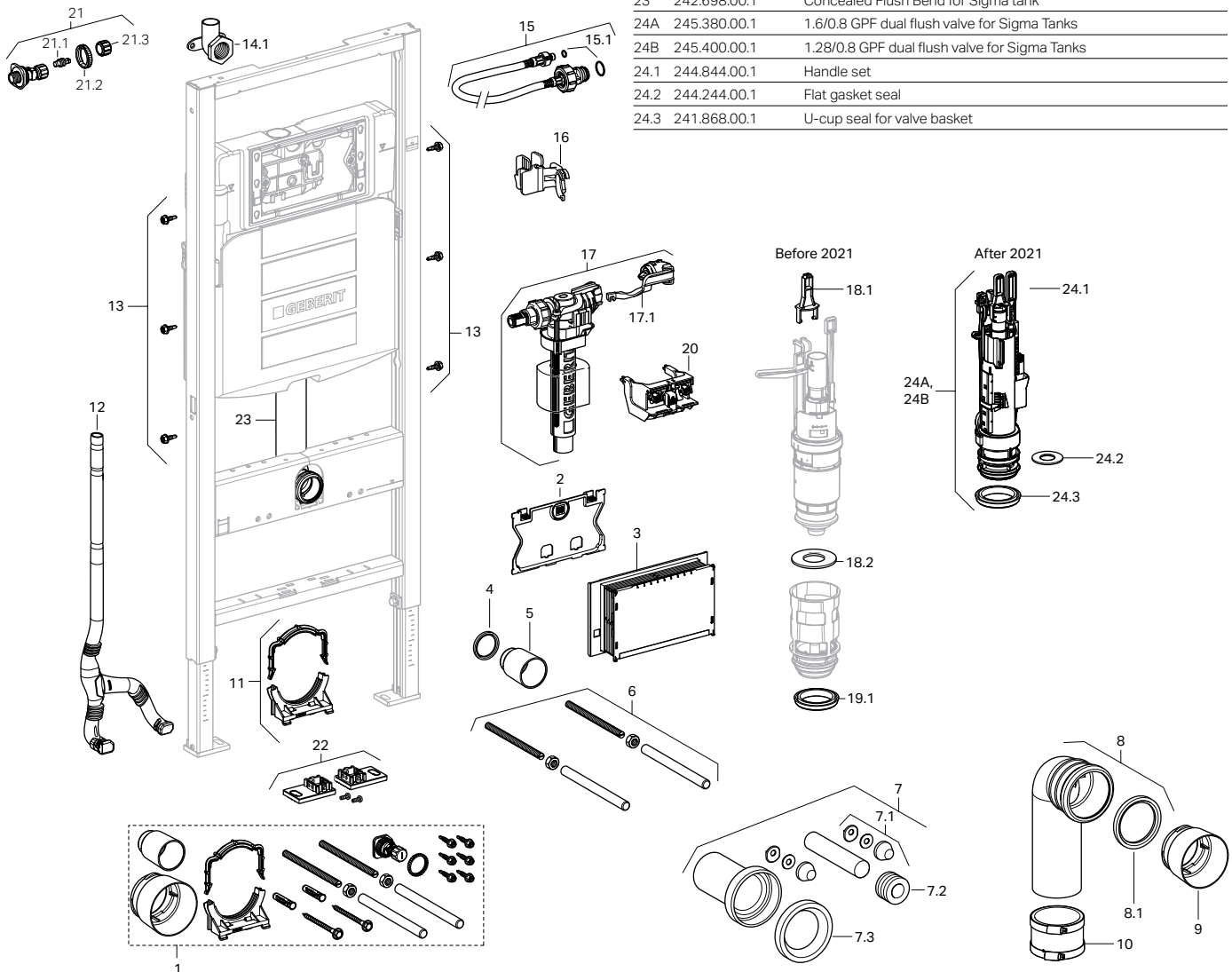
GEBERIT INSTALLATION SYSTEMS

Replacement Parts

Geberit Duofix Carrier 111.335.00.5 and 111.902.00.5, Sigma 2x6 Installation

Item	Model No.	Description
1	242.314.00.1	Materials for Concealed Carrier and Tank installation
2	242.315.00.1	Splash guard protection cover for Sigma Concealed Tank
3	243.345.00.1 or 243.168.00.1	Mud guard protection housing for Sigma Concealed Tanks 2x6 and 2x4, plastic
4	362.771.00.1	Seal for concealed flush pipe, EPDM
5	362.796.92.1	Protection plug, plastic
6	240.189.00.1	Threaded rod for wall-mounted toilet or bidet installation
7	152.404.46.1	Connector set with mounting hardware (bowl installation kit), HDPE; Matte Chrome cover caps
7	152.404.11.1	Connector set with mounting hardware (bowl installation kit), HDPE; Matte White cover caps (accessory only)
7.1	217.713.46.1	Cover caps with leveling washer, plastic, Matte Chrome
7.2	119.668.00.1	Seal for supply inlet tube, EPDM
7.3	152.424.00.1	Seal for toilet outlet connector, EPDM
8	366.061.16.1	HDPE waste fitting outlet bend, 1 x 90° bend with socket for Ø3.50" (Ø90 mm) push fit piping and Ø3.50" (Ø90 mm) outlet
8.1	387.282.00.1	Seal for outlet bends, EPDM
9	366.820.92.1	Protection plug, plastic
10	—	Flexible coupling FERNCO 3005-33
11	242.012.00.1	Outlet pipe bracket (complete)

Item	Model No.	Description
12	242.886.00.1	Conduit pipe for shower toilet water supply with Sigma Concealed Tank 2x6, Omega Concealed Tank or Kappa Concealed Tank (from 2013 on)
13	111.892.00.1	Frame mounting screws for steel stud construction, galvanized, self-tapping
14	240.853.00.1	Supply angle stop (black handle)
14.1	240.851.00.1	Drop ear elbow, copper
15	240.921.00.1	Connection hose for Sigma Concealed Tank, 3/8"
15.1	240.922.00.1	Set of seals for RFB hose
16	240.923.00.1	Fixation clip for filling valve
17	241.469.00.1	Filling valve Type 380 for Sigma, Omega and Kappa Concealed Tanks
17.1	240.771.00.1	Seal kit for filling valve Type 380
18.1	241.167.00.1	Yoke set for flush valves
18.2	816.418.00.1	Geberit flat gasket for flush valve
19.1	241.868.00.1	U-cup seal for valve basket
20	241.829.00.1	Flush actuator gear box
21	240.269.00.1	Angle stop valve to concealed tank (blue handle)
21.1	240.298.00.1	Spindle to angle stop valve
21.2	241.857.00.1	Counter nut, plastic
21.3	240.347.00.1	Handle for angle stop valve (blue)
22	244.125.00.1	Foot plate set
23	242.698.00.1	Concealed Flush Bend for Sigma tank
24A	245.380.00.1	1.6/0.8 GPF dual flush valve for Sigma Tanks
24B	245.400.00.1	1.28/0.8 GPF dual flush valve for Sigma Tanks
24.1	244.844.00.1	Handle set
24.2	244.244.00.1	Flat gasket seal
24.3	241.868.00.1	U-cup seal for valve basket

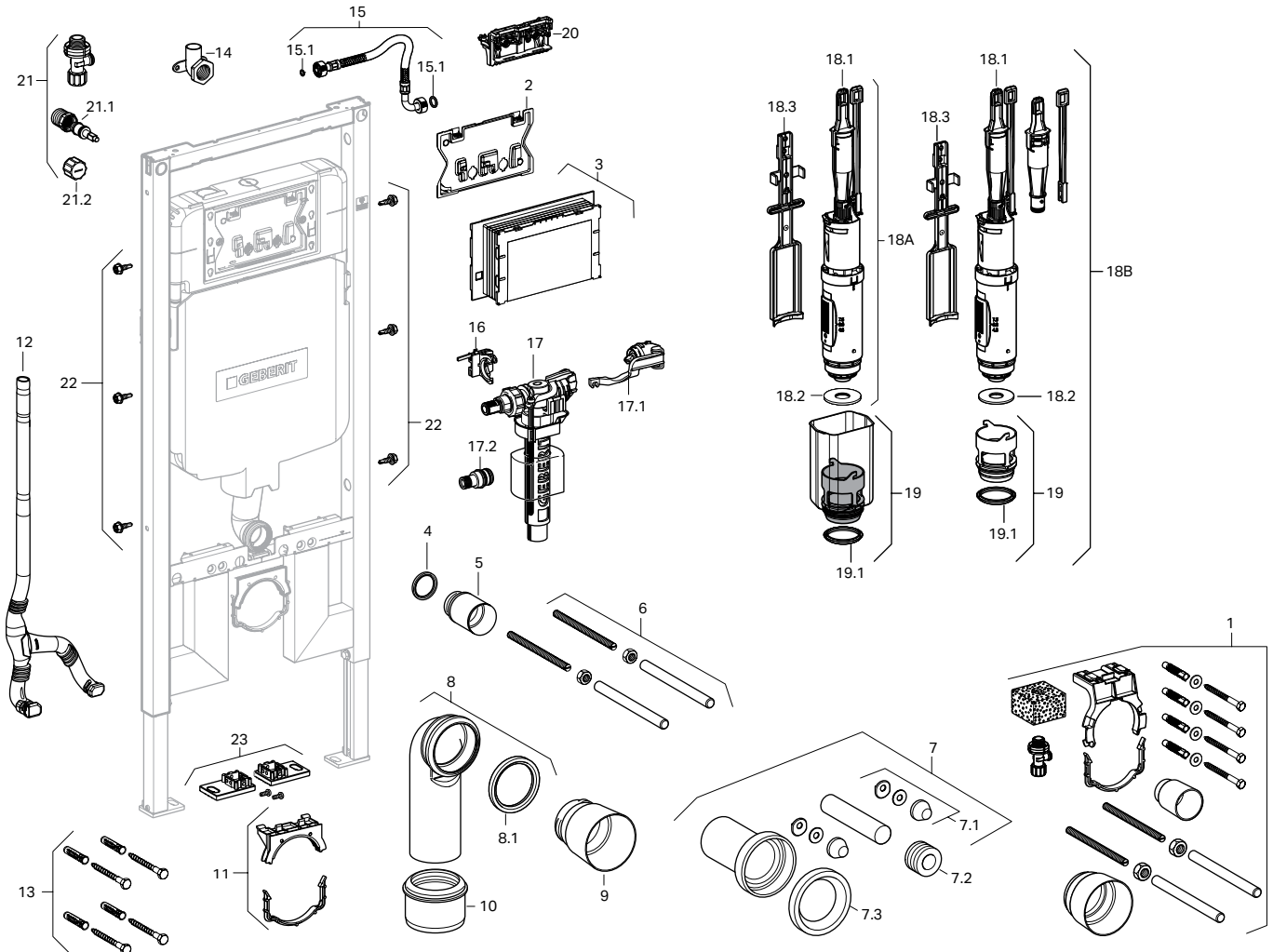


The information contained in this document is subject to change without notice.

Geberit Duofix Carrier 111.798.00.1 and 111.597.00.1, Sigma 2x4 Installation

Item	Model No.	Description
1	242.314.00.1	Materials for Concealed Carrier and Tank installation
2	242.418.00.1	Splash guard protection cover for Sigma Concealed Tank 2x4
3	243.345.00.1 or 243.168.00.1	Mud guard protection housing for Sigma Concealed Tank 2x4, plastic
4	362.771.00.1	Seal for concealed flush pipe, EPDM
5	362.796.92.1	Protection plug, plastic
6	240.189.00.1	Threaded rod for wall-mounted toilet or bidet installation
7	152.404.46.1	Connector set with mounting hardware (bowl installation kit), HDPE; Matte Chrome cover caps
7	152.404.11.1	Connector set with mounting hardware (bowl installation kit), HDPE; Matte White cover caps (accessory only)
7.1	217.713.46.1	Cover caps with leveling washer, plastic, Matte Chrome
7.2	119.668.00.1	Seal for supply inlet tube, EPDM
7.3	152.424.00.1	Seal for toilet outlet connector, EPDM
8	241.899.00.1	HDPE waste fitting outlet bend, 1 x 90° bend with socket for Ø3.50" (Ø90 mm) push fit piping and Ø3.50" (Ø90 mm) outlet
8.1	387.282.00.1	Seal for outlet bends, EPDM
9	366.820.92.1	Protection plug, plastic
10	—	Flexible coupling FERNCO 3005-33
11	242.012.00.1	Outlet pipe bracket (complete)
12	242.886.00.1	Conduit pipe for shower toilet water supply with Sigma Concealed Tank 2x4 (from mid-2013 on)
13	216.179.00.1	Installation hardware
14	240.851.00.1	Drop ear elbow, copper

Item	Model No.	Description
15	243.175.00.1	Connection hose for Sigma Concealed Tank 2x4, 3/8"
15	243.357.00.1	Connection hose for Sigma Concealed Tank 2x4, 3/8" - for salt water applications
15.1	240.922.00.1	Set of seals for RFB hose
16	243.279.00.1	Fixation clip for filling valve
17	241.469.00.1	Filling valve Type 380 for Sigma, Omega and Kappa Concealed Tanks
17.1	240.771.00.1	Seal kit for filling valve Type 380
17.2	241.670.00.1	Nipple to filling valve Type 380 for Sigma Concealed Tank 2x4
18A	243.727.00.1	1.28/0.8 GPF dual-flush valve for Sigma Concealed Tank 2x4 (111.597)
18B	241.290.00.1	Dual-flush valve for 1.6/0.8 GPF Sigma Concealed Tank 2x4 (111.728/111.798)
18.1	241.167.00.1	Yoke set for flush valves
18.2	241.291.00.1	Flat gasket for flush valve for Sigma Concealed Tank 2x4
18.3	241.292.00.1	Fixing rail to Sigma Concealed Tank 2x4
19	242.269.00.1	Valve seat basket and noise bushing for flush valve
19.1	241.293.00.1	U-cup seal for valve basket
20	243.344.00.1	Flush actuator gear box
21	240.847.00.1	Stop valve to concealed tank (blue handle for salt water applications)
21	242.414.00.1	Stop valve to concealed tank (blue handle)
21.1	240.298.00.1	Spindle to angle stop valve
21.2	240.347.00.1	Handle for angle stop valve (blue)
22	111.892.00.1	Frame mounting screws for steel stud construction, galvanized, self-tapping
23	244.125.00.1	Foot plate set



The information contained in this document is subject to change without notice.

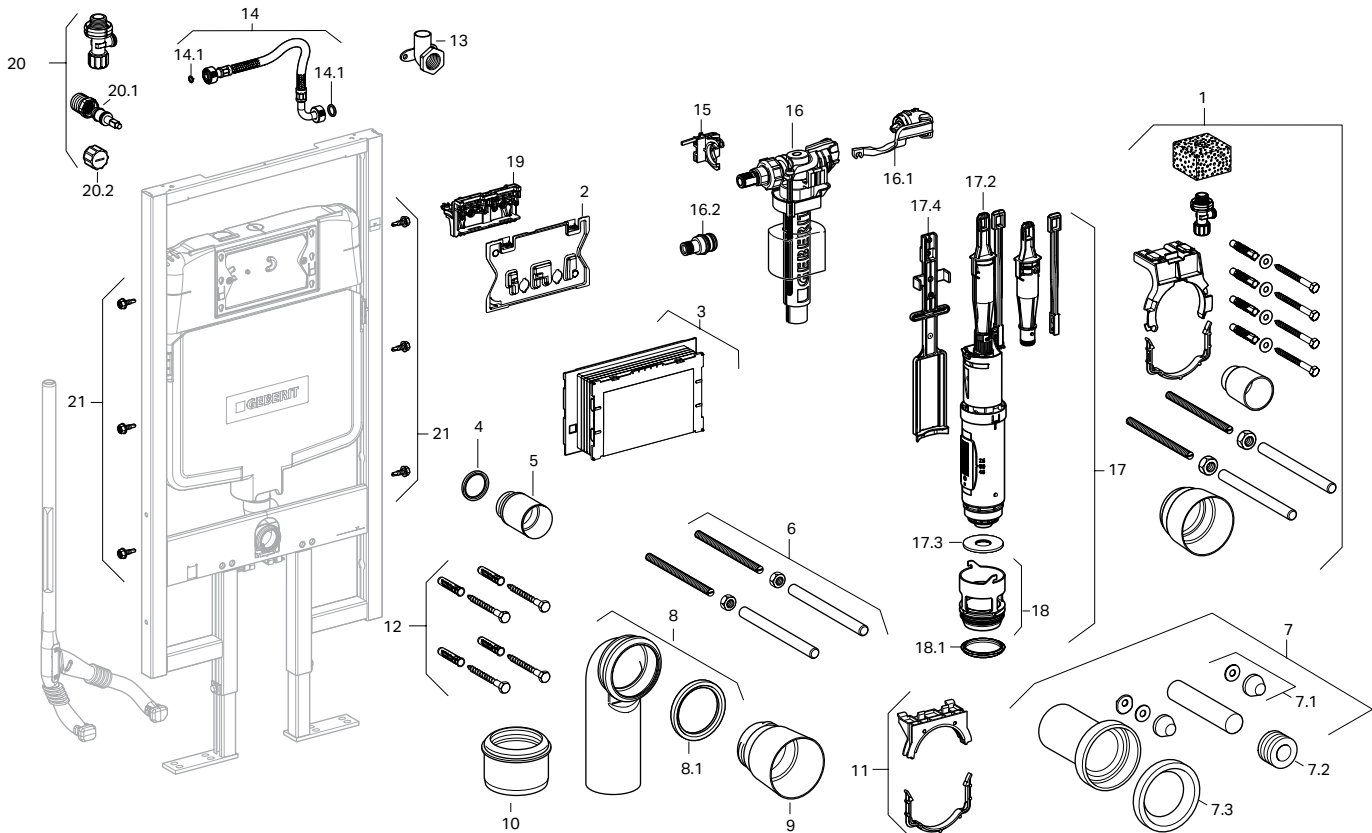
GEBERIT INSTALLATION SYSTEMS

Replacement Parts

Inactive Geberit Duofix Carrier 111.728.00.1, Sigma 2x4 Installation

Item	Model No.	Description
1	242.314.00.1	Materials for Concealed Carrier and Tank installation
2	242.418.00.1	Splash guard protection cover for Sigma Concealed Tank 2x4
3	243.345.00.1 or 243.168.00.1	Mud guard protection housing for Sigma Concealed Tank 2x4, plastic
4	362.771.00.1	Seal for concealed flush pipe, EPDM
5	362.796.92.1	Protection plug, plastic
6	240.189.00.1	Threaded rod for wall-mounted toilet or bidet installation
7	152.404.11.1	Connector set with mounting hardware (bowl installation kit), HDPE; Matte Chrome cover caps
7.1	217.713.46.1	Cover caps with leveling washer, plastic, Matte Chrome
7.2	119.668.00.1	Seal for supply inlet tube, EPDM
7.3	152.424.00.1	Seal for toilet outlet connector, EPDM
8	241.899.00.1	HDPE waste fitting outlet bend, 1 x 90° bend with socket for Ø3.50" (Ø90 mm) push fit piping and Ø3.50" (Ø90 mm) outlet
8.1	387.282.00.1	Seal for outlet bends, EPDM
9	366.820.92.1	Protection plug, plastic
10	—	Flexible coupling FERNCO 3005-33
11	242.012.00.1	Outlet pipe bracket (complete)
12	216.179.00.1	Installation hardware
13	240.851.00.1	Drop ear elbow, copper
14	242.415.00.1	Connection hose for Sigma Concealed Tank 2x4, 3/8"
14.1	240.922.00.1	Set of seals for RFB hoses

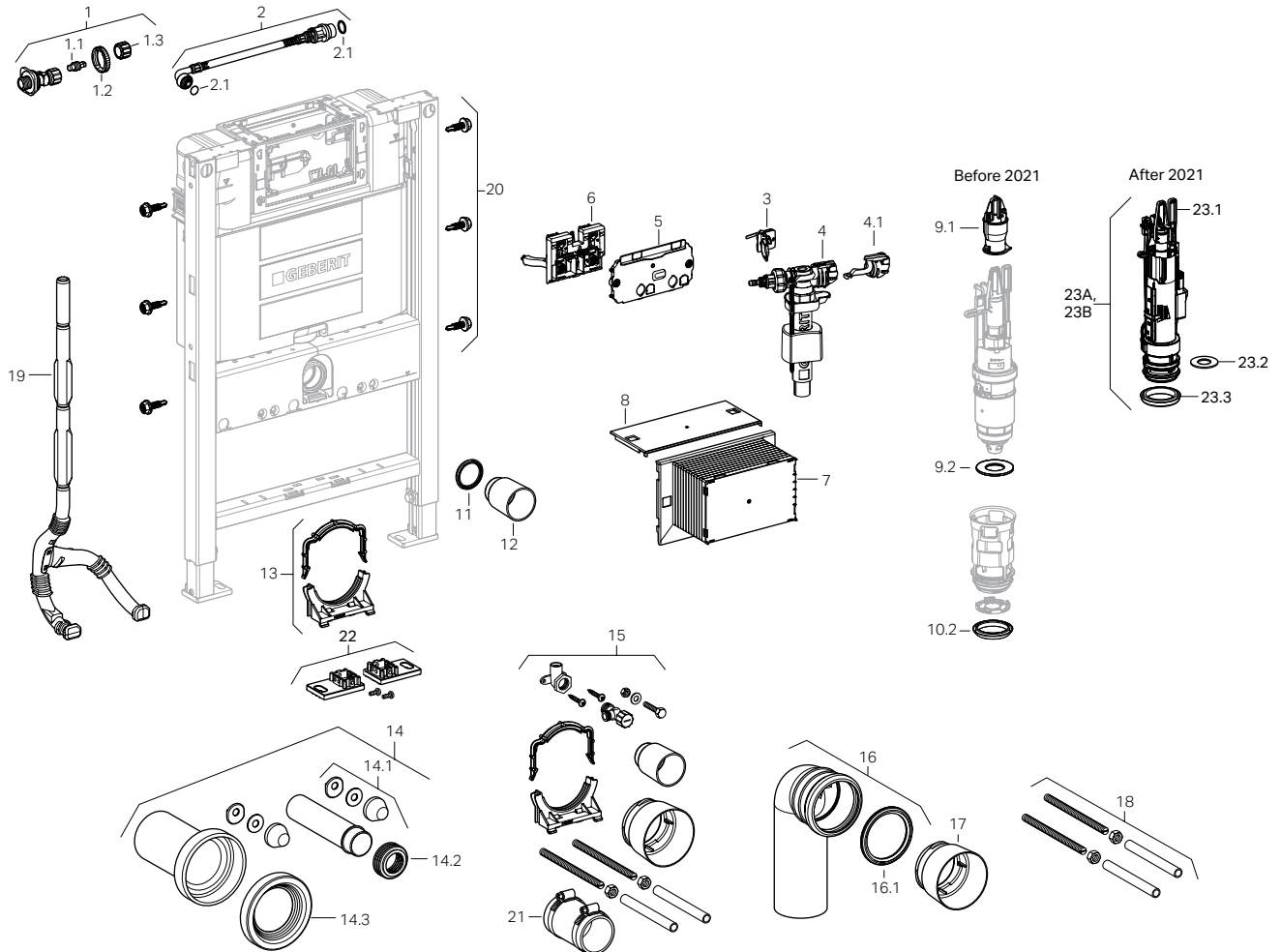
Item	Model No.	Description
15	241.286.00.1	Fixation clip for filling valve
16	241.469.00.1	Filling valve Type 380 for Sigma, Omega and Kappa Concealed Tanks
16.1	240.771.00.1	Seal kit for filling valve Type 380
16.2	241.670.00.1	Nipple to filling valve Type 380 for Sigma Concealed Tank 2x4
17	241.290.00.1	Dual-flush valve complete with valve seat basket for Sigma Concealed Tank 2x4 (111.728/111.798)
17.2	241.167.00.1	Yoke set for flush valves
17.3	241.291.00.1	Flat gasket for flush valve for Sigma Concealed Tank 2x4
17.4	241.292.00.1	Fixing rail to Sigma Concealed Tank 2x4
18	242.269.00.1	Valve seat basket and noise bushing for flush valve
18.1	241.293.00.1	U-cup seal for valve basket
19	242.417.00.1	Flush actuator gear box
20	240.847.00.1	Stop valve to concealed tank (blue handle - for salt water applications)
20	242.414.00.1	Stop valve to concealed tank (blue handle)
20.1	240.298.00.1	Spindle to angle stop valve
20.2	240.347.00.1	Handle for angle stop valve (blue)
21	111.892.00.1	Frame mounting screws for steel stud construction, galvanized, self-tapping
22	249.801.00.1	Water supply hose for bidet seat add-on after finished installation (optional)
23	242.413.00.1	Water supply hose for bidet seat for 111.728.00.1 carrier with Sigma Concealed Tank 2x4 (UP720). For adding bidet seat to an installed carrier. For complete installation, must order with 249.801.00.1. (optional)



The information contained in this document is subject to change without notice.

Geberit Duofix Carrier 111.012.00.1 and 111.018.00.1, Omega 2x6 Installation

Item	Model No.	Description	Item	Model No.	Description
1	240.269.00.1	Angle stop valve to concealed tank (blue handle)	14.1	217.713.46.1	Cover caps with leveling washer, plastic, Matte Chrome
1.1	240.298.00.1	Spindle to angle stop valve	14.2	119.668.00.1	Seal for supply inlet tube, EPDM
1.2	241.857.00.1	Counter nut, plastic	14.3	152.424.00.1	Seal for toilet outlet connector, EPDM
1.3	240.347.00.1	Handle for angle stop valve (blue)	15	242.314.00.1	Materials for Concealed Carrier and Tank installation
2	240.629.00.1	Reinforced braided hose for Geberit Kappa and Omega Concealed Tank	16	366.061.16.1	HDPE waste fitting outlet bend, 1 x 90° bend with socket for Ø3.50" (Ø90 mm) push fit piping and Ø3.50" (Ø90 mm) outlet
2.1	240.922.00.1	Set of seals for RFB hose	16.1	387.282.00.1	Seal for outlet bends, EPDM
3	243.088.00.1	Mounting bracket for filling valve	17	366.820.92.1	Protection plug, plastic
4	241.469.00.1	Fill valve Type 380	18	240.189.00.1	Threaded rod for wall-mounted toilet or bidet installation
4.1	240.771.00.1	Seal kit for filling valve Type 380	19	242.886.00.1	Conduit pipe for shower toilet water supply with Sigma Concealed Tank 2x6, Omega Concealed Tank or Kappa Concealed Tank (from 2013 on)
5	243.090.00.1	Protection plate	20	111.892.00.1	Frame mounting screws for steel stud construction, galvanized, self-tapping
6	243.091.00.1	Support block	21	—	Flexible coupling FERNCO 3005-33
7	243.092.00.1	Mud guard protection housing	22	244.125.00.1	Foot plate set
8	243.093.00.1	Insertion plate	23A	245.377.00.1	1.6/0.8 GPF dual flush valve for Omega Tanks
9.1	241.167.00.1	Yoke set for flush valves	23B	245.372.00.1	1.28/0.8 GPF dual flush valve for Omega Tanks
9.2	816.418.00.1	Geberit flat gasket for flush valve	23.1	244.844.00.1	Handle set
10.2	241.868.00.1	U-cup seal for valve basket after 2008	23.2	244.244.00.1	Flat gasket seal
11	362.771.00.1	Seal for concealed flush pipe, EPDM	23.3	241.868.00.1	U-cup seal for valve basket
12	362.796.92.1	Protection plug, plastic			
13	242.012.00.1	Outlet pipe bracket (complete)			
14	152.404.46.1	Connector set with mounting hardware (bowl installation kit), HDPE; Matte Chrome cover caps			
14	152.404.11.1	Connector set with mounting hardware (bowl installation kit), HDPE; Matte White cover caps (accessory only)			



The information contained in this document is subject to change without notice.

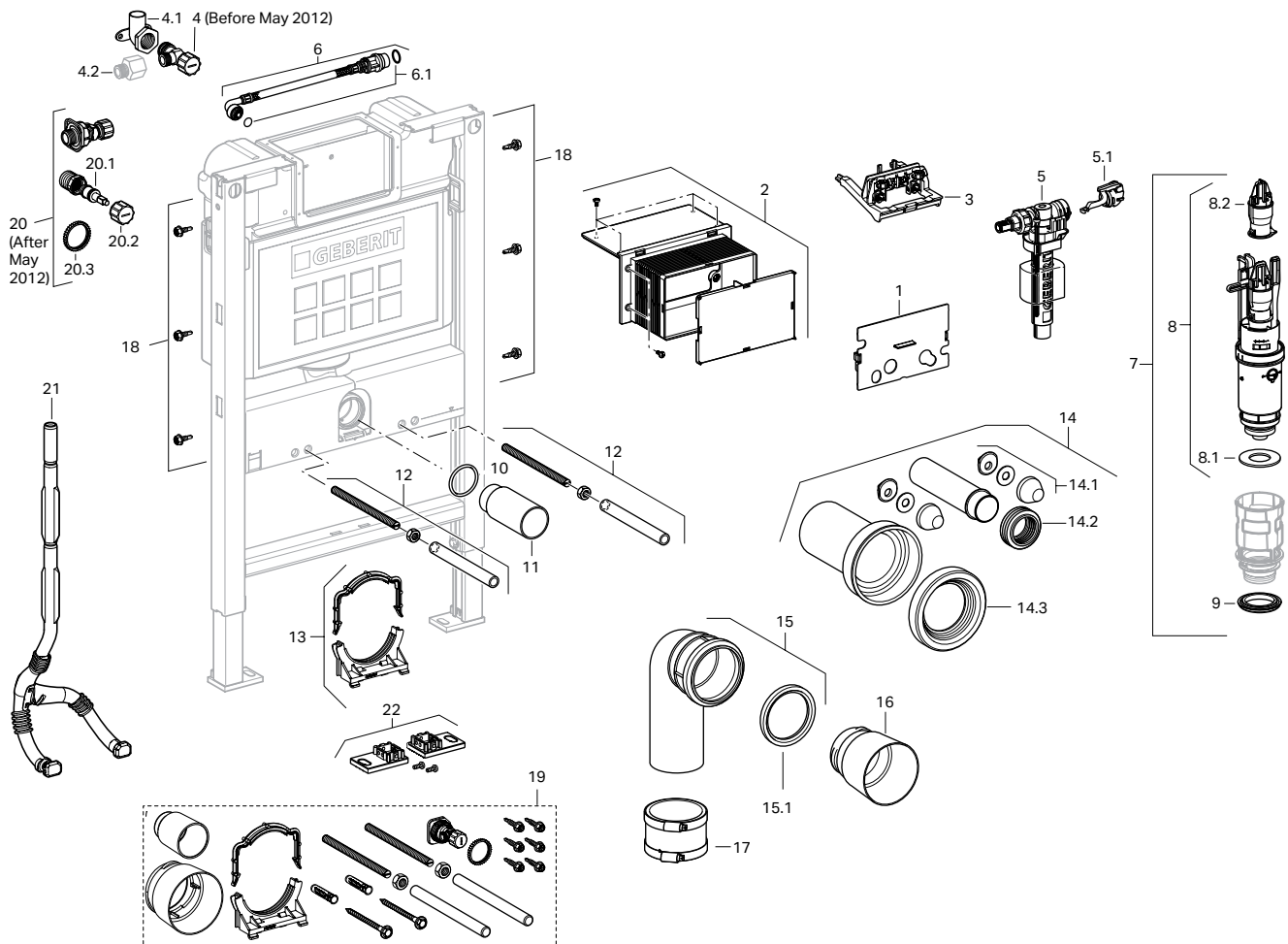
GEBERIT INSTALLATION SYSTEMS

Replacement Parts

Inactive Geberit Duofix Carrier 111.255.00.1, 2x6 Installation

Item	Model No.	Description
1	242.316.00.1	Splash guard protection cover for Kappa Concealed Tank
2	240.172.00.1	Mud guard protection housing for Kappa Concealed Tank, plastic, comes standard
3	240.533.00.1	Flush actuator gear box
4	240.853.00.1	Supply angle Stop (black handle)
4.1	240.851.00.1	Drop ear elbow, copper
4.2	—	Adapter 3/8" BSPP-F to 1/2" NPT-M, Brass
5	241.469.00.1	Filling valve Type 380 for Sigma and Kappa concealed tanks
5.1	240.771.00.1	Seal kit for filling valve Type 380
6	240.629.00.1	Connection hose for Kappa Concealed Tank
6.1	240.922.00.1	Set of seals for RFB hose
7	240.637.00.1	Dual-flush valve complete with valve seat basket for UP200
8	240.638.00.1	Dual-flush valve for Kappa Concealed Tank
8.1	816.418.00.1	Geberit flat gasket for flush valve
8.2	241.167.00.1	Yoke set for flush valves
9	241.868.00.1	U-cup seal for valve basket
10	362.771.00.1	Seal for concealed flush pipe, EPDM
11	362.796.92.1	Protection plug, plastic
12	240.189.00.1	Threaded rod for wall-mounted toilet or bidet installation
13	242.012.00.1	Outlet pipe bracket (complete)

Item	Model No.	Description
14	152.404.46.1	Connector set with mounting hardware (bowl installation kit), HDPE; Matte Chrome cover caps
14	152.404.11.1	Connector set with mounting hardware (bowl installation kit), HDPE; Matte White cover caps (accessory only)
14.1	217.713.46.1	Cover caps with leveling washer, plastic, Matte Chrome
14.2	119.668.00.1	Seal for supply inlet tube, EPDM
14.3	152.424.00.1	Seal for toilet outlet connector, EPDM
15	366.061.16.1	HDPE waste fitting outlet bend, 1 x 90° bend with socket for Ø3.50" (Ø90 mm) push fit piping and Ø3.50" (Ø90 mm) outlet
15.1	387.282.00.1	Seal for outlet bends, EPDM
16	366.820.92.1	Protection plug, plastic
17	—	Flexible coupling FERNCO 3005-33
18	111.892.00.1	Frame mounting screws for steel stud construction, galvanized, self-tapping
19	242.314.00.1	Installation materials for concealed carrier and tank
20	240.269.00.1	Angle stop valve to concealed tank (Blue handle)
20.1	240.298.00.1	Spindle to angle stop valve
20.2	240.347.00.1	Handle for angle stop valve (Blue)
20.3	241.857.00.1	Counter nut, plastic
21	242.886.00.1	Conduit pipe for shower toilet water supply with Sigma Concealed Tank 2x6, Omega Concealed Tank or Kappa Concealed Tank (from 2013 on)
22	244.125.00.1	Foot plate set

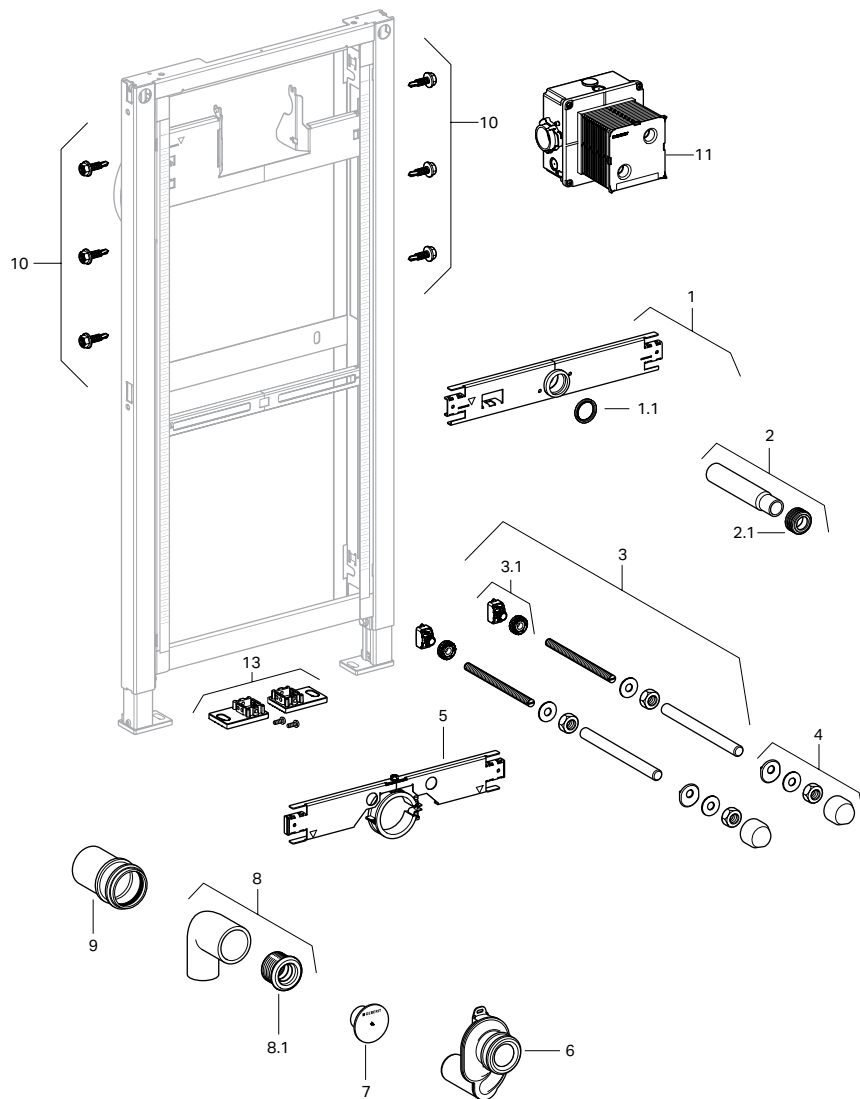


The information contained in this document is subject to change without notice.

Geberit Duofix Carrier 111.625.00.1

Item	Model No.	Description
1	242.039.00.1	Crossbar for water supply
1.1	362.790.00.1	Round cord ring, EPDM
2	152.489.16.1	Supply inlet tube with seal, PE; with Ø1.34" (Ø35 mm) supply inlet
2.1	119.669.00.1	Sleeve, EPDM
3	242.045.00.1	Fixing, with plastic nuts, complete
3.1	242.046.00.1	Plastic union nuts for crossbar for fixing
4	240.027.46.1	Cover caps, plastic, Matte Chrome
5	242.047.00.1	Outlet cross member
6	152.950.11.1	Syphonic trap with horizontal outlet and seal, PE; with Ø1.97" (Ø50 mm) outlet
7	853.614.92.1	Protection plug

Item	Model No.	Description
8	240.315.00.1	Waste fitting outlet bend, PE; 1 x 90° bend with Ø2.48"/Ø1.97" (Ø63/Ø50 mm)
8.1	152.693.00.1	Seal for connector, EPDM; for Ø1.97" (Ø50 mm) outlet
9	242.516.00.1	Outlet pipe Ø1.97" (Ø50 mm) Terrain article no. 225.2G
10	111.892.00.1	Frame mounting screws for steel stud construction, galvanized, self-tapping
11	241.930.00.1	Mud guard protection housing and extension set for urinal carrier
12	242.131.00.1	Elbow, 90° (not shown)
13	244.125.00.1	Foot plate set



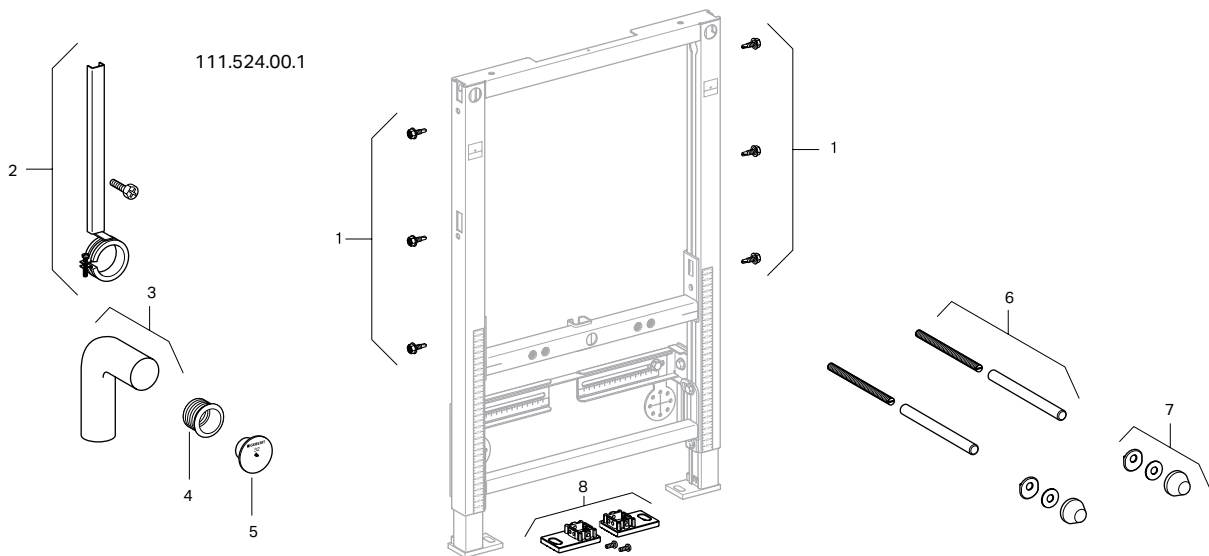
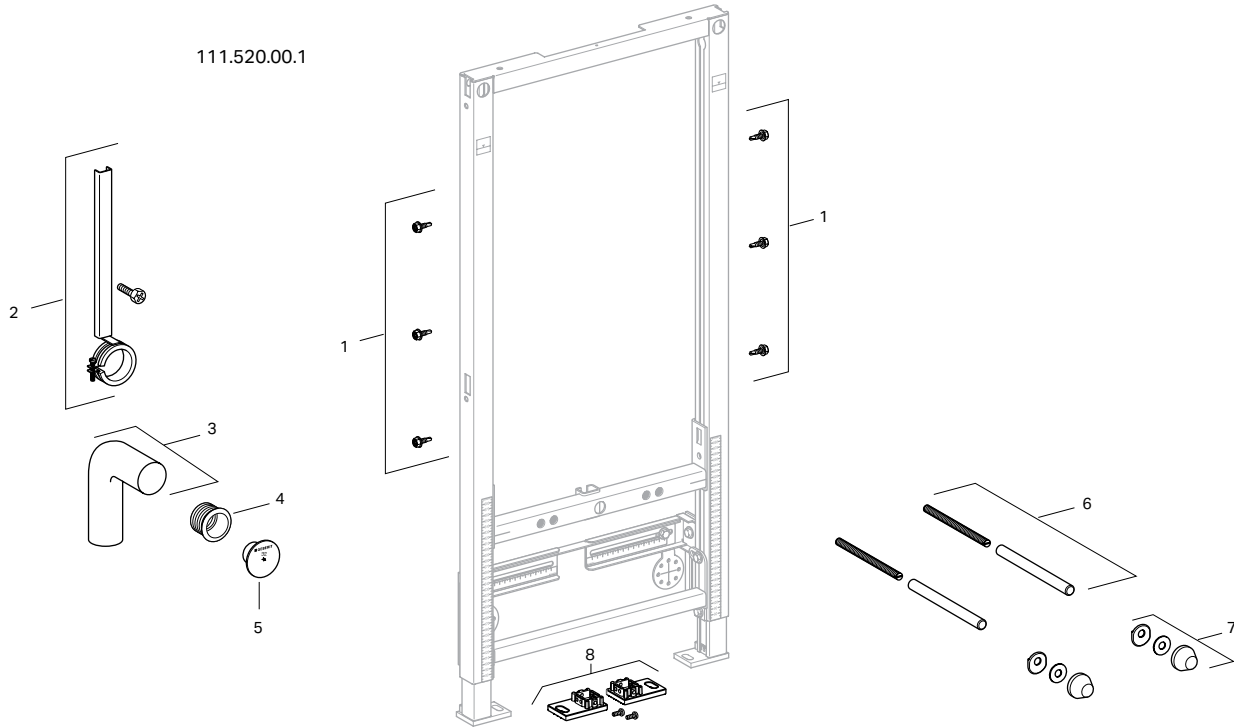
The information contained in this document is subject to change without notice.

GEBERIT INSTALLATION SYSTEMS

Replacement Parts

Geberit Duofix Carriers 111.520.00.1 and 111.524.00.1

Item	Model No.	Description	Item	Model No.	Description
1	111.892.00.1	Frame mounting screws for steel stud construction, galvanized, self-tapping	5	240.306.00.1	Protection plug, Ø1.26" (Ø32 mm)
2	241.066.00.1	Pipe mounting bracket	6	240.189.00.1	Threaded rod for wall-mounted toilet or bidet installation
3	241.067.16.1	Outlet bend - 90 degrees	7	217.713.46.1	Cover caps with leveling washer, plastic, Matte Chrome
4	152.682.00.1	Outlet seal, EPDM, push on for Ø1.97" (Ø50 mm) tube	8	244.125.00.1	Foot plate set

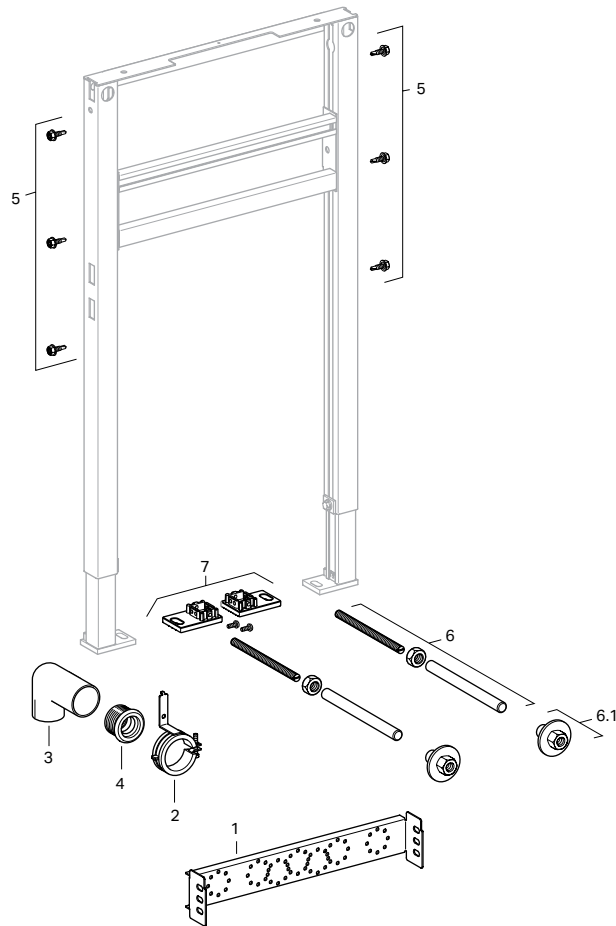


The information contained in this document is subject to change without notice.

Geberit Duofix Carrier 111.490.00.1

Item	Model No.	Description
1	241.803.00.1	Crossbar for deck-mounted faucet
2	241.805.00.1	Pipe bracket for outlet bend
3	241.067.16.1	Outlet bend – 90 degrees
4	152.682.00.1	Standard outlet seal, EPDM, push on for Ø1.97" (Ø50 mm) tube
	152.796.00.1	Outlet seal, EPDM Ø1.97"/Ø1.57" (Ø50/40 mm)

Item	Model No.	Description
5	111.892.00.1	Frame mounting screws for steel stud construction, galvanized, self-tapping
6	241.059.00.1	Threaded rod for wall-mounted washbasin
6.1	241.009.00.1	M10 nuts for Basin Frame set of 2
7	244.125.00.1	Foot plate set



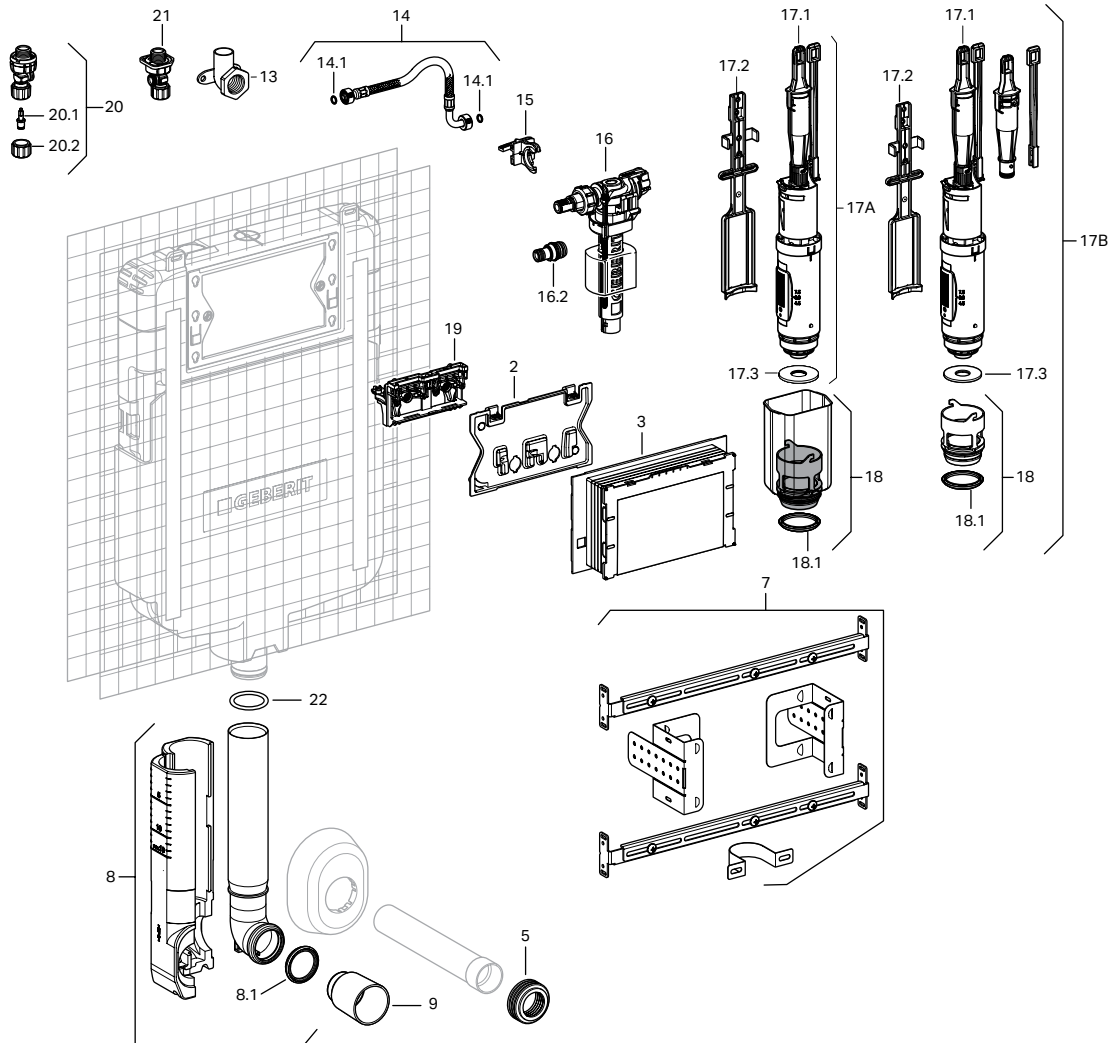
The information contained in this document is subject to change without notice.

GEBERIT INSTALLATION SYSTEMS

Replacement Parts

Geberit Concealed Tanks 109.797.00.1 and 109.781.00.1, Sigma 2x4 Installation

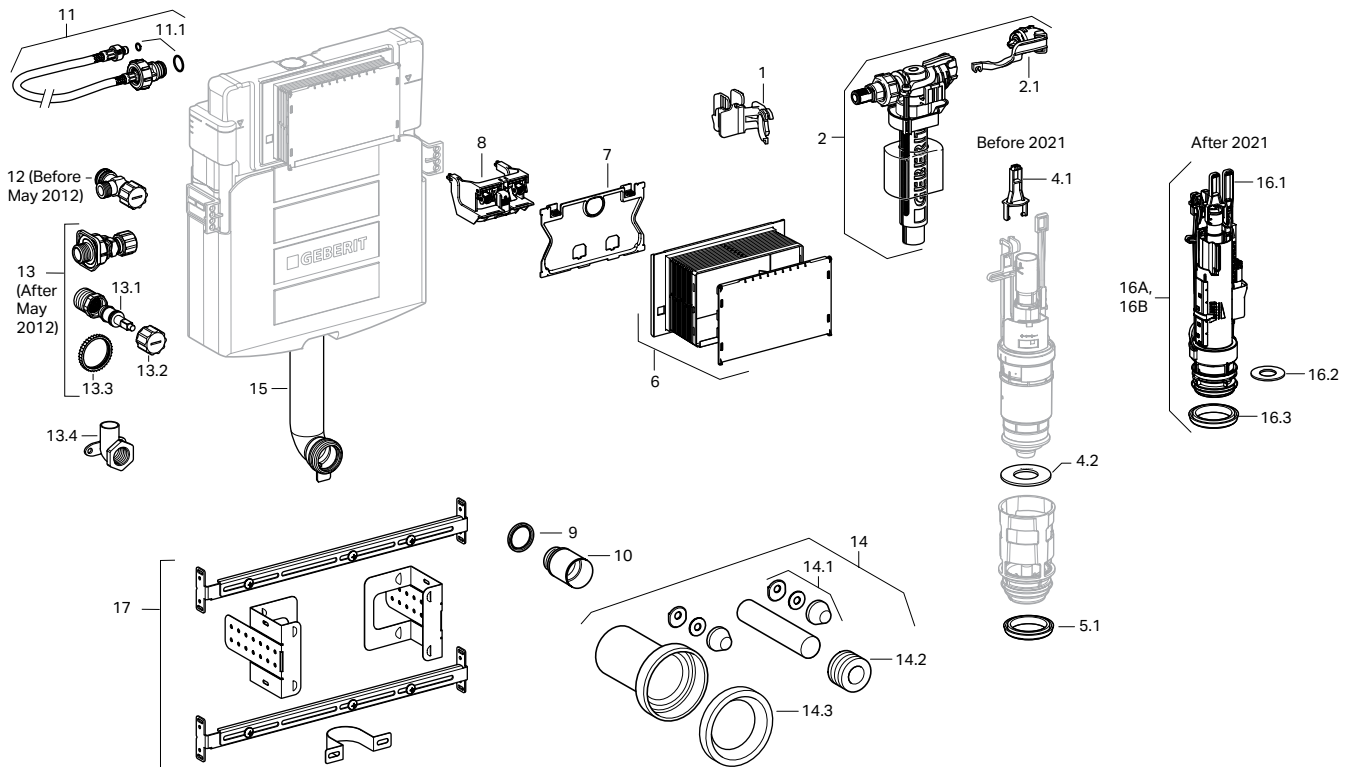
Item	Model No.	Description	Item	Model No.	Description
2	242.418.00.1	Splash guard protection cover for Sigma Concealed Tank 2x4	16.1	240.771.00.1	Seal kit for filling valve Type 380
3	243.345.00.1 or 243.168.00.1	Mud guard protection housing for Sigma Concealed Tank 2x4, plastic	16.2	241.670.00.1	Nipple to filling valve Type 380 for Sigma Concealed Tank 2x4
5	119.668.00.1	Seal for supply inlet tube, EPDM	17A	243.727.00.1	1.28/0.8 GPF dual-flush valve for Sigma Concealed Tank 2x4 (111.597)
7	243.272.00.1	Mounting set for drywall constructions, for Sigma concealed cistern 12 cm and 8cm	17B	241.290.00.1	Dual-flush valve complete with valve seat basket for Sigma Concealed Tank 2x4 (111.728/111.798)
8	241.294.00.1	Flush bend with flush bend guide: d=56mm, L=5.2cm	17.1	241.167.00.1	Yoke set for flush valves
8.1	362.771.00.1	Seal for concealed flush pipe, EPDM	17.2	241.292.00.1	Fixing rail to Sigma Concealed Tank 2x4
9	362.796.92.1	Protection plug, plastic	17.3	241.291.00.1	Flat gasket for flush valve for Sigma Concealed Tank 2x4
13	240.851.00.1	Drop ear elbow, copper	18	242.269.00.1	Valve seat basket and noise bushing for flush valve
14	243.175.00.1	Connection hose for Sigma Concealed Tank 2x4, 3/8"	18.1	241.293.00.1	U-cup seal for valve basket
14	243.357.00.1	Connection hose for Sigma Concealed Tank 2x4, 3/8" - for salt water applications	19	243.344.00.1	Flush actuator gear box
14.1	240.922.00.1	Set of seals for RFB hoses	20	242.414.00.1	Stop valve to concealed tank (blue handle)
15	243.279.00.1	Fixation clip for filling valve	20.1	240.298.00.1	Spindle to angle stop valve
16	241.469.00.1	Filling valve Type 380 for Sigma, Omega and Kappa Concealed Tanks	20.2	240.347.00.1	Handle for angle stop valve (blue)
			21	240.847.00.1	Stop valve to concealed tank (blue handle - for salt water applications)
			22	892.975.00.1	O-ring for outlet connection piece



The information contained in this document is subject to change without notice.

Geberit Sigma Concealed Tank 109.304.00.5 and 109.307.00.5, 2x6 Installation

Item	Model No.	Description	Item	Model No.	Description
1	240.923.00.1	Fixation clip for filling valve	13.1	240.298.00.1	Spindle to angle stop valve
2	241.469.00.1	Filling valve Type 380 for Sigma, Omega and Kappa Concealed Tanks	13.2	240.347.00.1	Handle for angle stop valve (blue)
2.1	240.771.00.1	Seal kit for filling valve Type 380	13.3	241.857.00.1	Counter nut, plastic
4.1	241.167.00.1	Yoke set for flush valves	13.4	240.851.00.1	Drop ear elbow, copper
4.2	816.418.00.1	Geberit flat gasket for flush valve	14	152.404.46.1	Connector set with mounting hardware (bowl installation kit), HDPE; Matte Chrome cover caps
5.1	241.868.00.1	U-cup seal for valve basket	14	152.404.11.1	Connector set with mounting hardware (bowl installation kit), HDPE; Matte White cover caps (accessory only)
6	243.345.00.1 or 243.168.00.1	Mud guard protection housing for Sigma Concealed Tanks 2x6 and 2x4, plastic	14.1	217.713.46.1	Cover caps with leveling washer, plastic, Matte Chrome
7	242.315.00.1	Splash guard protection cover for Sigma Concealed Tank 2x6	14.2	119.668.00.1	Seal for supply inlet tube, EPDM
8	241.829.00.1	Flush actuator gear box	14.3	152.424.00.1	Seal for toilet outlet connector, EPDM
9	362.771.00.1	Seal for concealed flush pipe, EPDM	15	242.698.00.1	Concealed Flush Bend for Sigma tank
10	362.796.92.1	Protection plug, plastic	16A	245.380.00.1	1.6/0.8 GPF dual flush valve for Sigma Tanks
11	240.921.00.1	Connection hose for Sigma Concealed Tank, 3/8"	16B	245.400.00.1	1.28/0.8 GPF dual flush valve for Sigma Tanks
	241.854.00.1	Connection hose for Sigma Concealed Tank, 3/8" – dezincification resistant	16.1	244.844.00.1	Handle set
11.1	240.922.00.1	Set of seals for RFB hose	16.2	244.244.00.1	Flat gasket seal
12	240.853.00.1	Supply angle stop (black handle)	16.3	241.868.00.1	U-cup seal for valve basket
13	240.269.00.1	Angle stop valve to concealed tank (blue handle)	17	243.272.00.1	Mounting set for drywall constructions, for Sigma concealed cistern 12 cm and 8 cm



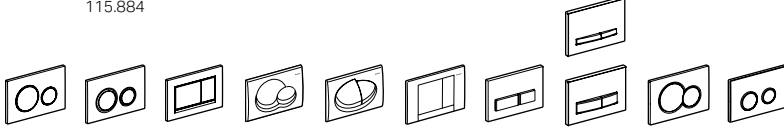
The information contained in this document is subject to change without notice.

GEBERIT INSTALLATION SYSTEMS

Replacement Parts

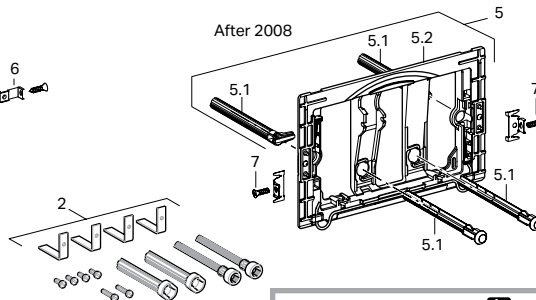
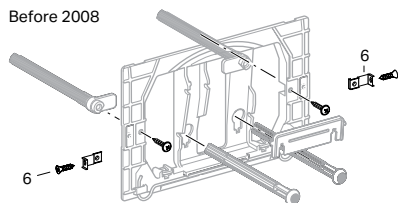
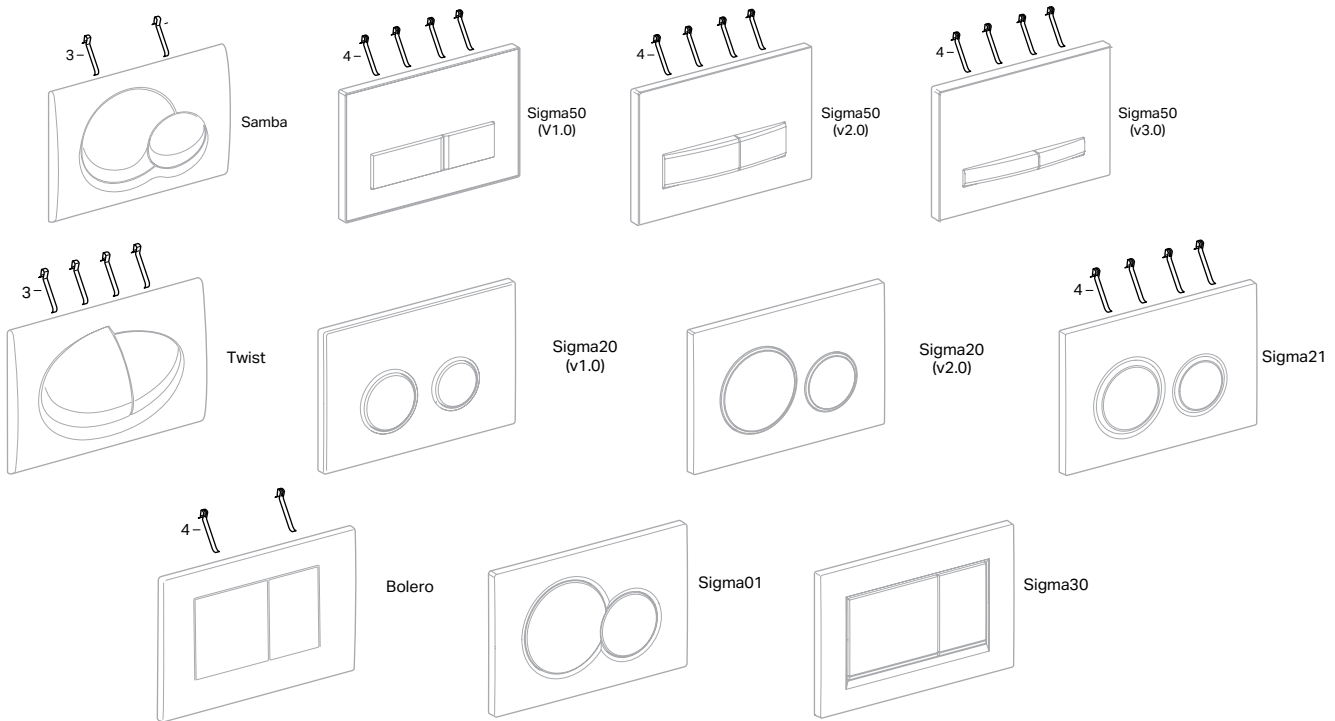
Geberit Samba, Twist, Bolero, Sigma01, Sigma20, Sigma21, Sigma30 and Sigma50 Actuators


115.882	115.650	115.883	115.770	115.780	115.777	115.788	115.670	115.770	115.778	Actuator Dimensions: 9.7" x 6.5" (24.6 cm x 16.4 cm)
115.889	115.651						115.671		115.781	
	115.652						115.672			
	115.761						115.788			
	115.884									



Item	2	2	2	2	2	2	2	2	2	2	Model No.	Description
											240.938.00.1	Extension set for actuator plates for Sigma Concealed Tanks 2x6, 2x4, Kappa and Omega Concealed Tanks
			3	3	3						813.514.00.1	Spring for actuator plate
						4	4				241.295.00.1	Spring for actuator plate, 10 pcs
5	5	5	5	5	5	5	5	5	5	5	241.873.00.1	Conversion kit for tool-free assembly (converts units manufactured prior to 04.01.2008)
5.1	5.1	5.1	5.1	5.1	5.1	5.1	5.1	5.1	5.1	5.1	241.874.00.1	Actuator bolt and rod kit, tool-free assembly
5.2	5.2	5.2	5.2	5.2	5.2	5.2	5.2	5.2	5.2	5.2	241.876.00.1	Mounting frame, tool-free assembly
				6		6	6				240.698.00.1	AV screws Twist plate + Allen key set-2
7	7		7		7	7			7		241.877.00.1	Fastening set for mounting frame tool-free assembly

115.650, 115.651, 115.652, 115.670, 115.671, 115.672, 115.761, 115.770, 115.777, 115.778, 115.780, 115.781, 115.788, 115.882, 115.883, 115.884, 115.889



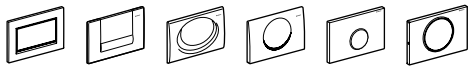
Products marked with  comply with the American Disabilities Act (ADA) when installed per the requirements of the latest ADA Accessibility Guidelines (ADAAG) and/or ICC/ANSI A117.1.

The information contained in this document is subject to change without notice.

Geberit Mambo, Rumba, Tango, Sigma10 and Sigma30 Actuators 

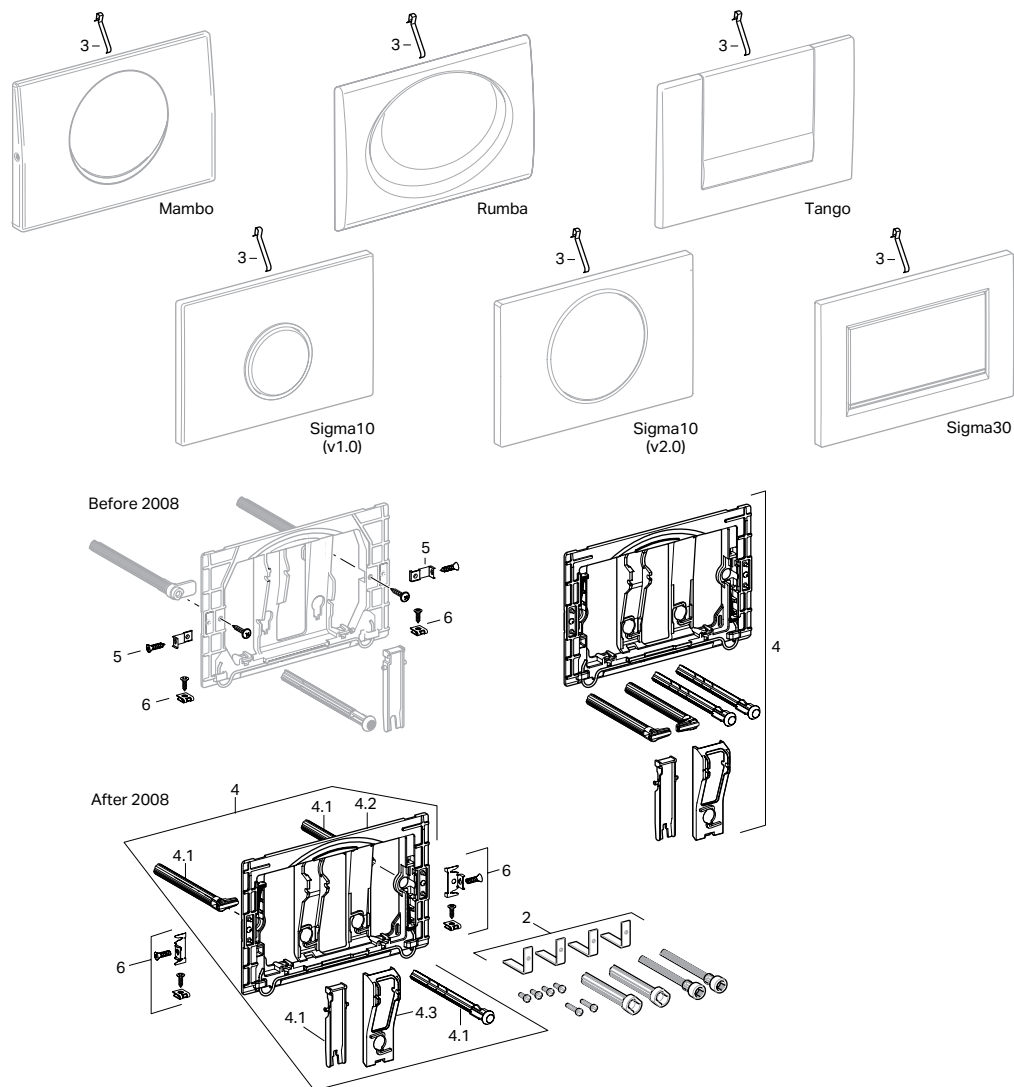
115.893 115.760 115.750 115.751 115.758 115.758/115.787


Actuator Dimensions: 9.7" x 6.5" (24.6 cm x 16.4 cm)



Item	2	3	4	4.1	4.2	4.3	Model No.	Description
2	2	2	2	2	2		240.938.00.1	Extension set for actuator plates for Sigma Concealed Tanks 2x6, 2x4, Kappa and Omega Concealed Tanks
3	3	3	3	3	3		813.514.00.1	Spring for actuator plate
4	4	4	4	4	4		241.873.00.1	Conversion kit for tool-free assembly (converts units manufactured prior to 04.01.2008)
4.1	4.1	4.1	4.1	4.1	4.1		241.874.00.1	Actuator bolt and rod kit, tool-free assembly
4.2	4.2	4.2	4.2	4.2	4.2		241.876.00.1	Mounting frame, tool-free assembly
						4.3	241.878.00.1	Rocker mounting Mambo, tool free. From 2008
5	5		5				241.093.00.1	Fastening for cover plate UP300 set-2
6	6		6		6		241.877.00.1	Fastening set for mounting frame, tool-free assembly

115.760, 115.750, 115.751, 115.758, 115.787, 115.893



Products marked with  comply with the American Disabilities Act (ADA) when installed per the requirements of the latest ADA Accessibility Guidelines (ADAAG) and/or ICC/ANSI A117.1.

The information contained in this document is subject to change without notice.

GEBERIT INSTALLATION SYSTEMS

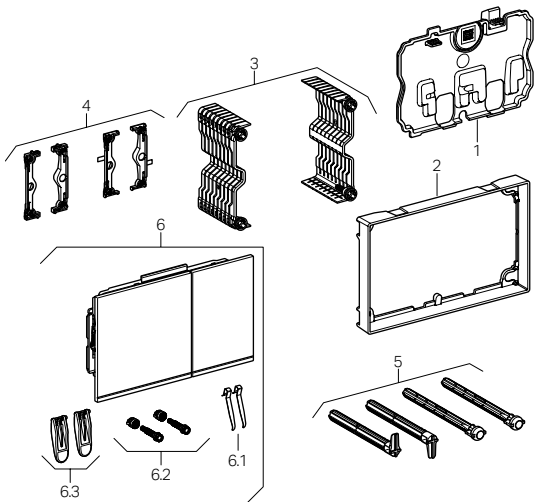
Replacement Parts

Geberit Sigma60 Actuators (2016 Version)

115.640 Actuator Dimensions: 8-7/16" x 5-3/16" (21.4 cm x 13.2 cm)



Item	Model No.	Description
1	243.423.00.1	Protection plate Sigma60 (2016)
2	243.413.00.1	Compensation frame Sigma60 (2016)
3	243.414.00.1	Distance element Sigma60 (2016) set-2
4	243.424.00.1	Adapter Set Sigma60 (2016)
5	242.588.00.1	Actuator rod set for Omega and Sigma60
6	243.415.GH.1	Actuator plate Sigma60 (2016), Bright Chrome
6	243.415.JK.1	Actuator plate Sigma60 (2016), Lava Glass
6	243.415.JL.1	Actuator plate Sigma60 (2016), Grey Sand Glass
6	243.415.SI.1	Actuator plate Sigma60 (2016), White Glass
6	243.415.SJ.1	Actuator plate Sigma60, Black Glass
6.1	813.514.00.1	Spring for actuator plate
6.2	242.920.00.1	Stopper pin for Sigma60/Omega60 set-2
6.3	243.422.00.1	Rocker actuator plate Sigma60 (2016) set

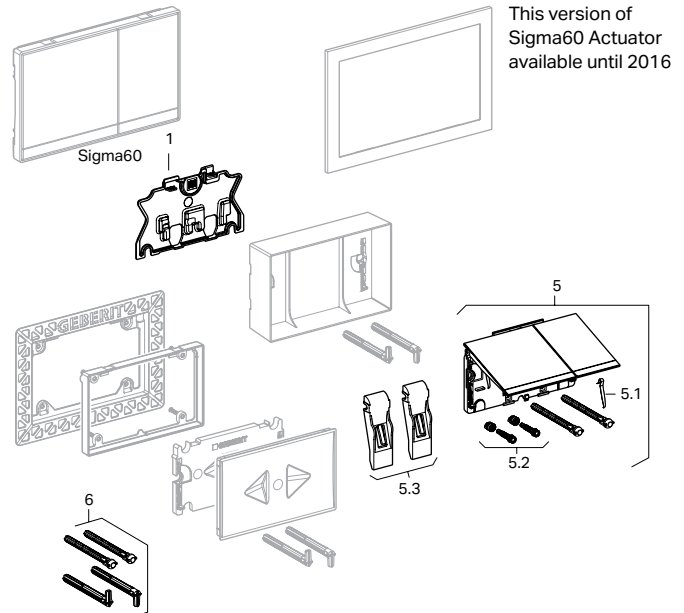



Geberit Sigma60 Actuators (pre-2016)

115.795/115.796/115.792 Actuator Dimensions: 8.7" x 5.5" (22.1 cm x 13.9 cm)



Item	Model No.	Description
1	242.583.00.1	Protection plate
5	115.796.GH.1	Brushed Chrome trim set
5.1	813.514.00.1	Spring for actuator plate
5.2	242.920.00.1	Stopper pin for Omega60/Sigma60 set-2
5.3	243.278.00.1	Rocker plate for Omega60/Sigma60 set-2
6	242.588.00.1	Actuator rod set for Omega and Sigma60

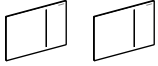


Products marked with  comply with the American Disabilities Act (ADA) when installed per the requirements of the latest ADA Accessibility Guidelines (ADAAG) and/or ICC/ANSI A117.1.

The information contained in this document is subject to change without notice.

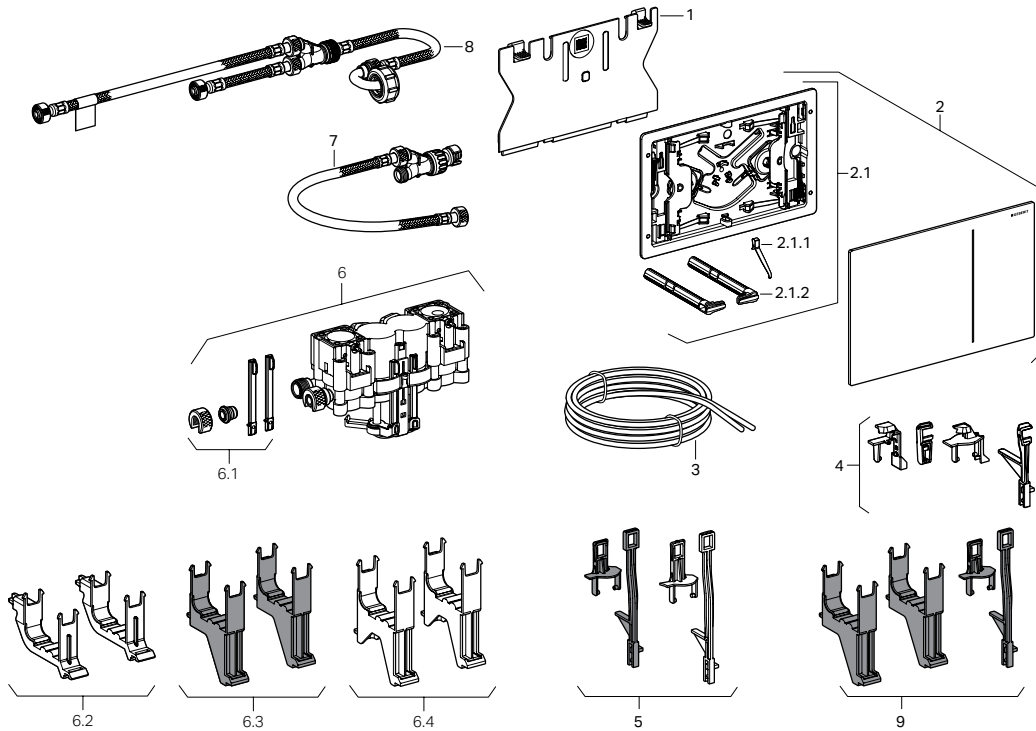
Geberit Sigma70 Actuators 


115.620 115.625 Actuator Dimensions: 9.5" x 6.3" (24 cm x 15.8 cm)



Item	Model No.	Description
1	242.819.00.1	Protection plate for Sigma Concealed Tank 2x6
1	243.084.00.1	Protection plate for Sigma Concealed Tank 2x4
2	242.813.FW.1	Actuator plate Sigma70, Brushed Stainless Steel
2	242.813.JK.1	Actuator plate Sigma70, Lava Glass
2	242.813.JL.1	Actuator plate Sigma70, Grey Sand Glass
2	242.813.SI.1	Actuator plate Sigma70, White Glass
2	242.813.SJ.1	Actuator plate Sigma70, Black Glass
2	242.813.00.1	Actuator plate Sigma70 customer supplied inlay
2.1	242.814.00.1	Mounting frame Sigma70
2.1.1	813.514.00.1	Spring for actuator plate
2.1.2	241.874.00.1	Actuator rod set mount w/o tool
3	243.297.00.1	Double pneumatic hose, 78.74" (2 m), dual-flush (Green/Clear)
4	242.825.00.1	Conversion set flush valve Sigma Concealed Tank, 4.72" (12 cm) and Omega Concealed Tank 2x6
5	242.826.00.1	Conversion set flush valve Sigma Concealed Tank, 3.16" (8 cm) 2x4
6	242.820.00.1	Hydraulic flushing device, 1-6 bar (15-87 psi)
	243.461.00.1	Hydraulic flushing device, 1-3 bar (15-44 psi). Optional replacement for low pressure service
6.1	242.822.00.1	Spare parts set for hydraulic lifter
6.2	243.170.00.1	Support block hydraulic servo lifter for 2x6 Sigma Concealed Tank
	243.171.00.1	Support block hydraulic servo lifter for 2x4 Sigma Concealed Tank (until 2015, model 111.728.00.1 UP720)
	243.347.00.1	Support block hydraulic servo lifter for 2x4 Sigma Concealed Tank (2016 version)
7	242.824.00.1	Connection hose complete for Sigma Concealed Tank, 4.72" (12 cm) 2x6
8	242.823.00.1	Connection hose complete for Sigma Concealed Tank, 3.16" (8 cm) 2x4
9	245.473.00.1	Conversion set for hydraulic servo lifter, for Sigma concealed tank 8 cm/2x4 (up to year of manufacture 2015, model 111.728.00.1 UP720)

For units until April 1, 2023



Products marked with  comply with the American Disabilities Act (ADA) when installed per the requirements of the latest ADA Accessibility Guidelines (ADAAG) and/or ICC/ANSI A117.1.

The information contained in this document is subject to change without notice.

GEBERIT INSTALLATION SYSTEMS

Replacement Parts

Geberit Sigma70 Actuators

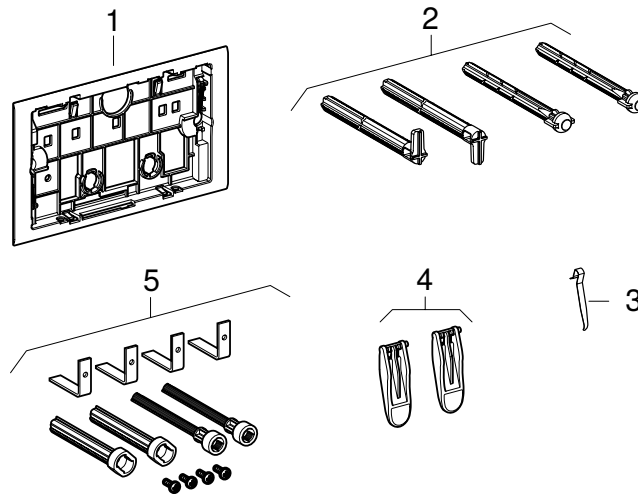
115.622


Actuator Dimensions: 9.8" x 5.8" (25 cm x 14.6 cm)



Item	Model No.	Description
1	245.735.00.1	Geberit mounting frame for Sigma70 actuator plate
1	245.735.JQ.1	Geberit mounting frame for Sigma70 actuator plate, matte chrome
2	242.588.00.1	Rod set to Sigma60
3	813.514.00.1	Spring for actuator plate
4	243.422.00.1	Rocker act plate Sigma 60(2016) Set-2
5	240.938.00.1	Extension set for actuator plates for Sigma Concealed Tanks 2x6, 2x4, Kappa and Omega Concealed Tanks

For units from June 1, 2023











Products marked with  comply with the American Disabilities Act (ADA) when installed per the requirements of the latest ADA Accessibility Guidelines (ADAAG) and/or ICC/ANSI A117.1.

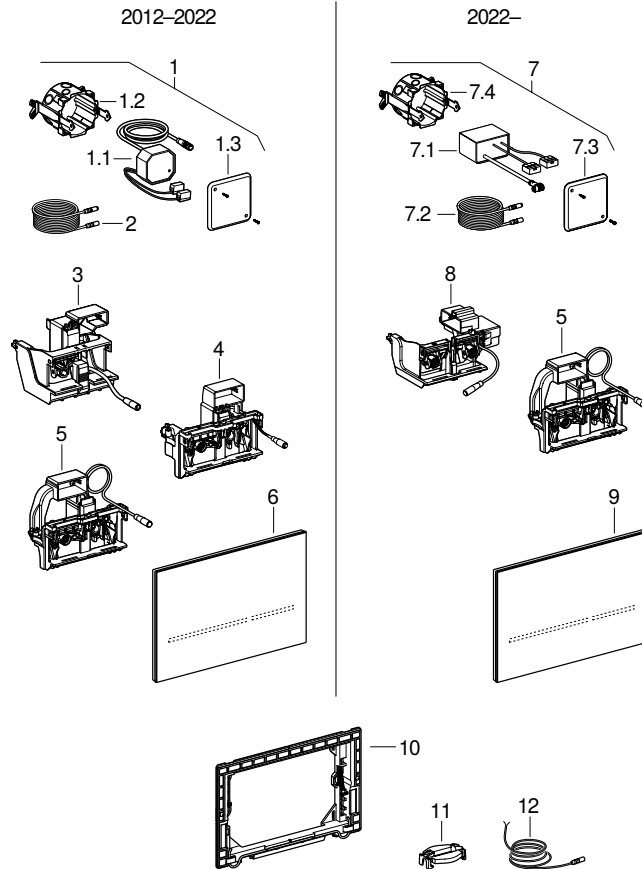
The information contained in this document is subject to change without notice.


Geberit Sigma80 Actuators Mains Power for Sigma12(2x6) and Sigma8(2x4) 

116.090 116.091 116.092 Actuator Dimensions: 9.75" x 6.5" (24.6 cm x 16.4 cm)



Item			Model No.	Description
1	1	1	115.861.00.1	Control installation set (2022 and earlier)
1.1	1.1	1.1	241.149.00.1	Power supply unit (2022 and earlier)
1.2	1.2	1.2	241.302.00.1	Housing for electric socket
1.3	1.3	1.3	241.161.00.1	Cover for housing for electric socket
2	2	2	241.831.00.1	Extension mains cable (2022 and earlier)
3			241.150.00.1	Lifting device WC-control w/servomotor, 2x6 (2022 and earlier)
	4		242.424.00.1	Lifting device WC-control, 2x4
		5	243.356.00.1	Electronic lifting device for Sigma concealed cistern 8 cm (from year of manufacture 2016)
6	6	6	242.618.SG.1	Actuator plate Sigma80 for dual flush: black glass (2022 and earlier)
6	6	6	242.618.SM.1	Actuator plate Sigma80 for dual flush: glass, reflective (2022 and earlier)
7	7		115.861.00.6	 Geberit installation set with power supply unit, for WC flush controls with electronic flush actuation, 12 V (from year 2022)
7.1	7.1		243.971.00.1	 Power supply unit 230 V / 12 V / 50 Hz, for Geberit DuoFresh module, for outlet mounting box (from year 2022)
7.2	7.2		244.094.00.1	 Voltage supply cable 12 V for Geberit DuoFresh module (from year 2022)
7.3	7.3		241.161.00.1	Cover for housing for electric socket
7.4	7.4		241.302.00.1	Housing for electric socket
8			245.551.00.6	 Lifting device WC-control w/servomotor EL (from year 2022)
9			245.541.SG.6	 Sigma80 actuator plate, for Sigma concealed cistern, 12 cm, mains operation, 12 V (from year 2022)
9			245.541.SM.6	 Sigma80 actuator plate, for Sigma concealed cistern, 12 cm, mains operation, 12 V (from year 2022)
		9	245.542.SG.6	 Sigma80 actuator plate, for Sigma concealed cistern, 8 cm, mains operation, 12 V (from year 2022)
		9	245.542.SM.6	 Sigma80 actuator plate, for Sigma concealed cistern, 8 cm, mains operation, 12 V (from year 2022)
10	10	10	242.617.00.1	Mounting frame for Geberit actuator plate Sigma80
11	11	11	242.975.11.1	Handle crown for flush valve: white alpine
12	12	12	242.658.00.1	Connection cable 78.74" (2.0 m) WC-control Sigma80



Products marked with  comply with the American Disabilities Act (ADA) when installed per the requirements of the latest ADA Accessibility Guidelines (ADAAG) and/or ICC/ANSI A117.1.

The information contained in this document is subject to change without notice.

GEBERIT INSTALLATION SYSTEMS

Replacement Parts

Geberit Hands-Free Sigma10 and Mambo Actuator, Mains Power for Sigma12(2x6)

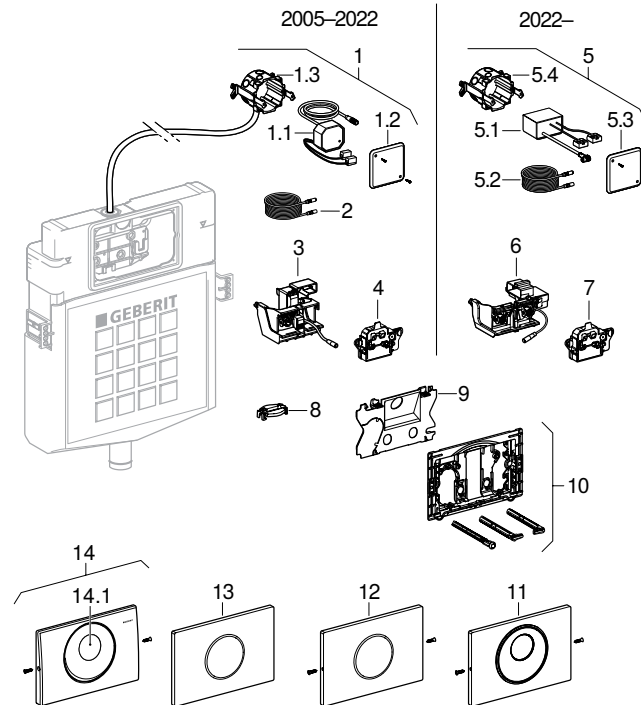
115.890

115.907

Actuator Dimensions: 9.7" x 6.5" (24.6 cm x 16.4 cm)



Item	Model No.	Description
1	115.861.00.1	Control installation set (2022 and earlier)
1.1	241.149.00.1	Power supply unit (2022 and earlier)
1.2	241.161.00.1	Cover for housing for electric socket
1.3	241.302.00.1	Housing for electric socket
2	241.831.00.1	Extension mains cable (2022 and earlier)
3	241.150.00.1	Lifting device with servo-motor for WC-control (2022 and earlier)
4	241.476.00.1	Electronic sensor for WC-control (2022 and earlier)
5	115.861.00.6	 Geberit installation set with power supply unit, for WC flush controls with electronic flush actuation, 12 V (from year 2022)
5.1	243.971.00.1	 Geberit power supply unit, universal, 12V for outlet moutnign box (from year 2022)
5.2	244.094.00.1	 Voltage supply cable 12 V for Geberit DuoFresh module (from year 2022)
5.3	241.161.00.1	Cover for housing for electric socket
5.4	241.302.00.1	Housing for electric socket
6	245.551.00.6	 Geberit electronic lifting device for Sigma concealed cistern 12cm(2x6) - (from year 2022). Only compatible with #5 245.541.xx.6
7	245.539.00.6	 Geberit electronics module for WC flush control, automatic, Sigma12, 12 V (from year 2022)
8	242.975.11.1	Flush valve crown
9	241.303.00.1	Protection plate for WC-control Sigma10 and Mambo
10	242.871.00.1	Mounting frame for WC-control
11	242.781.SN.1	IR actuator plate for WC-control Sigma10 and Mambo
11	242.781.16.1	IR actuator plate for WC-control Sigma10 and Mambo, Matte Black Coated, Black Accent
11	242.781.DW.1	IR actuator plate for WC-control Sigma10 and Mambo, Black, Matte Black Accent
12	242.792.SN.1	Actuator plate Sigma10 for Geberit WC flush control with electronic flush actuation: stainless steel brushed/polished/brushed
13	242.782.DW.1	Black, Matte Black Accent
13	242.782.JQ.1	Matte Chrome Coated, Polished Chrome Accent
13	242.782.KH.1	Bright Chrome-Matte Chrome
13	242.782.KJ.1	White-Bright Chrome
13	242.782.KK.1	White, Gold-Plated
13	242.782.KM.1	Black-Bright Chrome
13	242.782.SN.1	White-Bright Chrome
14.1	241.478.00.1	IR window with adapter for WC-control Sigma10 and Mambo





The information contained in this document is subject to change without notice.

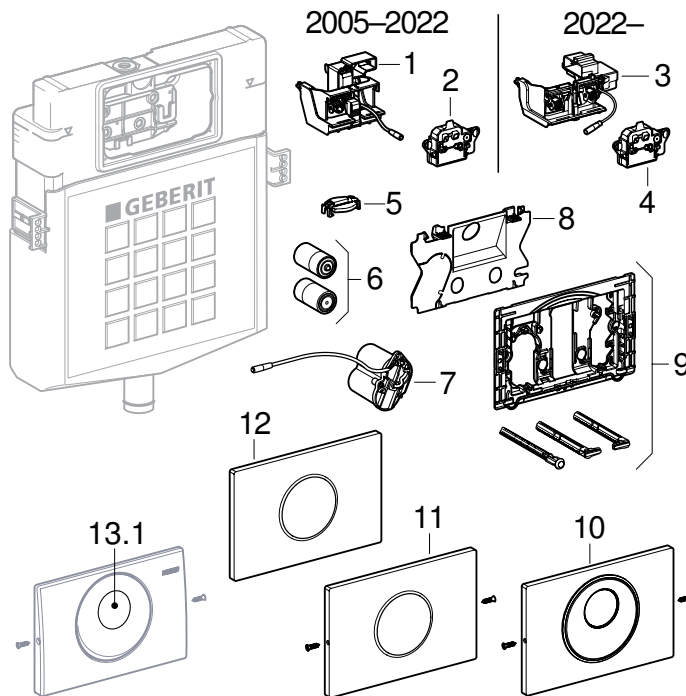
Geberit Hands-Free Sigma10 and Mambo Actuator Battery Power for Sigma12(2x6) 


115.891

115.908



Item	Model No.	Description
1	241.150.00.1	Lifting device with servo-motor for WC-control (2022 and earlier)
2	241.476.00.1	Electronic sensor for WC-control (2022 and earlier)
3	245.551.00.6	 Geberit electronic lifting device for Sigma concealed cistern 12cm(2x6) - (from year 2022). Only compatible with #10 245.539.00.6
4	245.838.00.6	 Geberit electronics module for WC flush control, automatic, Sigma12, 3 V (from year 2022)
5	242.975.11.1	Flush valve crown
6	By others	"D" cell, LR20 alkaline batteries
7	242.870.00.1	Battery housing
8	241.303.00.1	Protection plate for WC-control Sigma10 and Mambo
9	242.871.00.1	Mounting frame for WC-control
10	242.781.SN.1	IR actuator plate for WC-control Sigma10 and Mambo
10	242.781.16.1	IR actuator plate for WC-control Sigma10 and Mambo, Matte Black Coated, Black Accent
10	242.781.DW.1	IR actuator plate for WC-control Sigma10 and Mambo, Black, Matte Black Accent
11	242.792.SN.1	Actuator plate Sigma10 for Geberit WC flush control with electronic flush actuation: stainless steel brushed/polished/brushed
12	242.782.16.1	Matte Black Coated, Black Accent
12	242.782.DW.1	Black, Matte Black Accent
12	242.782.JQ.1	Matte Chrome Coated, Polished Chrome Accent
12	242.782.KH.1	Bright Chrome-Matte Chrome
12	242.782.KJ.1	White-Bright Chrome
12	242.782.KK.1	White, Gold-Plated
12	242.782.KM.1	Black-Bright Chrome
12	242.782.SN.1	Stainless Steel Brushed, Polished
13.1	241.478.00.1	IR window with adapter for WC-control Sigma10 and Mambo



Products marked with  comply with the American Disabilities Act (ADA) when installed per the requirements of the latest ADA Accessibility Guidelines (ADAAG) and/or ICC/ANSI A117.1.

The information contained in this document is subject to change without notice.

GEBERIT INSTALLATION SYSTEMS






Replacement Parts

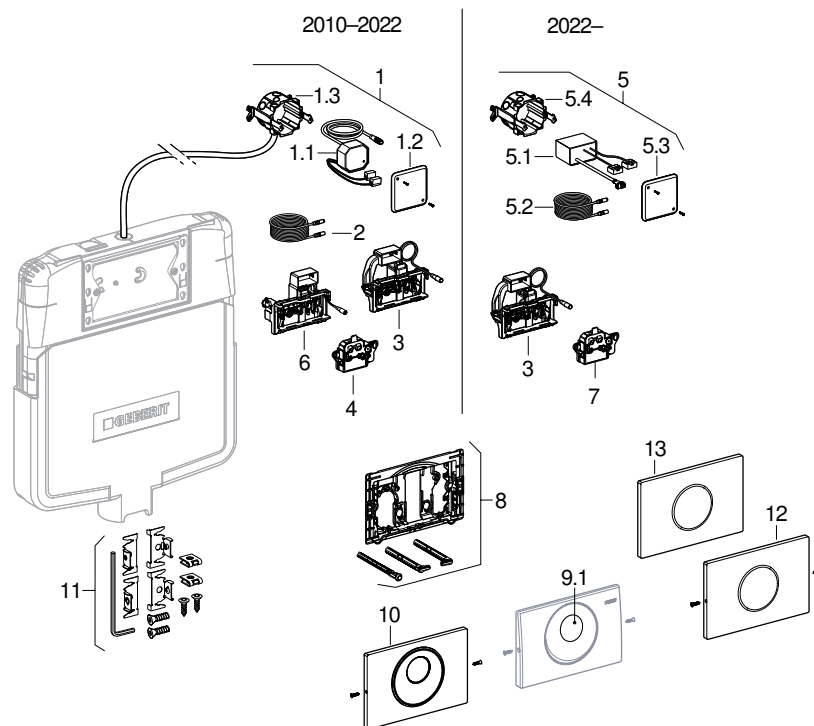
Geberit Hands-Free Sigma10 Actuator Mains Power for Sigma8(2x4)

115.856

CR115-7



Item	Model No.	Description
1	115.861.00.1	Control installation set
1.1	241.149.00.1	Power supply unit
1.2	241.161.00.1	Cover for housing for electric socket
1.3	241.302.00.1	Housing for electric socket
2	241.831.00.1	Extension mains cable (2022 and earlier)
3	243.356.00.1	 Lifting device WC-control 2x4 (from year 2022)
4	241.476.00.1	Electronic sensor for WC-control (2022 and earlier)
5	115.861.00.6	 Geberit installation set with power supply unit, for WC flush controls with electronic flush actuation, 12 V (from year 2022)
5.1	243.971.00.1	 Geberit power supply unit, universal, 12V for outlet mounting box (from year 2022)
5.2	244.094.00.1	 Voltage supply cable 12 V for Geberit DuoFresh module (from year 2022)
5.3	241.161.00.1	Cover for housing for electric socket
5.4	241.302.00.1	Housing for electric socket
6	242.424.00.1	Lifting device WC-control, 2x4 (2016 and earlier)
7	245.540.00.6	 Geberit electronics module for WC flush control, automatic, Sigma8, 12 V (from year 2022)
8	242.871.00.1	Battery housing
9.1	241.478.00.1	IR window with adapter for WC-control Sigma10 and Mambo
10	242.781.SN.1	IR actuator plate for WC-control Sigma10 and Mambo
10	242.781.16.1	IR actuator plate for WC-control Sigma10 and Mambo, Matte Black Coated, Black Accent
10	242.781.DW.1	IR actuator plate for WC-control Sigma10 and Mambo, Black, Matte Black Accent
11	241.877.00.1	Screw for Twist, Tango, Mambo set-2
12	242.792.SN.1	Actuator plate Sigma10 for Geberit WC flush control with electronic flush actuation: stainless steel brushed/polished/brushed
13	242.782.DW.1	Black, Matte Black Accent
13	242.782.JQ.1	Matte Chrome Coated, Polished Chrome Accent
13	242.782.KH.1	Bright Chrome-Matte Chrome
13	242.782.KJ.1	White-Bright Chrome
13	242.782.KK.1	White, Gold-Plated
13	242.782.KM.1	Black-Bright Chrome
13	242.782.SN.1	Stainless Steel Brushed, Polished





The information contained in this document is subject to change without notice.

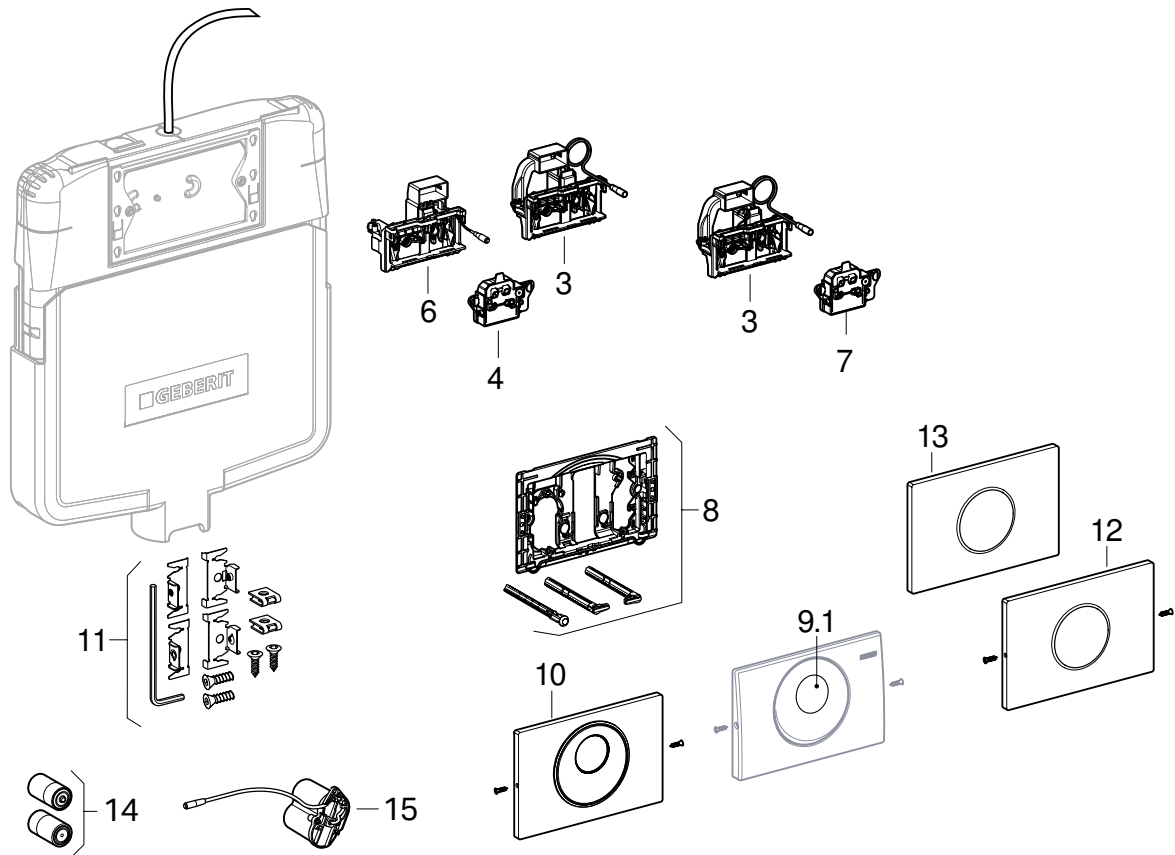
Geberit Hands-Free Sigma10 Actuator Battery Power for Sigma8(2x4) 


CR115-6

CR115-8



Item	Model No.	Description
3	243.356.00.1	 Lifting device WC-control 2x4 (from year 2022)
4	241.476.00.1	Electronic sensor for WC-control (2022 and earlier)
6	242.424.00.1	Lifting device WC-control, 2x4 (2016 and earlier)
7	245.540.00.6	 Geberit electronics module for WC flush control, automatic, Sigma8 (2016), 12 V (from year 2022)
8	242.871.00.1	Mounting frame for WC-control
9.1	241.478.00.1	IR window with adapter for WC-control Sigma10 and Mambo
10	242.781.SN.1	IR actuator plate for WC-control Sigma10 and Mambo
10	242.781.16.1	IR actuator plate for WC-control Sigma10 and Mambo, Matte Black Coated, Black Accent
10	242.781.DW.1	IR actuator plate for WC-control Sigma10 and Mambo, Black, Matte Black Accent
11	241.877.00.1	Screw for Twist, Tango, Mambo set-2. For tool-free mounting frame.
12	242.792.SN.1	Actuator plate Sigma10 for Geberit WC flush control with electronic flush actuation: stainless steel brushed/polished/brushed
13	242.782.16.1	Matte Black Coated, Black Accent
13	242.782.DW.1	Black, Matte Black Accent
13	242.782.JQ.1	Matte Chrome Coated, Polished Chrome Accent
13	242.782.KH.1	Bright Chrome-Matte Chrome
13	242.782.KJ.1	White-Bright Chrome
13	242.782.KK.1	White, Gold-Plated
13	242.782.KM.1	Black-Bright Chrome
13	242.782.SN.1	Stainless Steel Brushed, Polished
14	By others	"D" cell, LR20 alkaline batteries
15	242.870.00.1	Battery housing



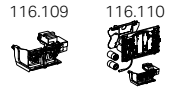
Products marked with  comply with the American Disabilities Act (ADA) when installed per the requirements of the latest ADA Accessibility Guidelines (ADAAG) and/or ICC/ANSI A117.1.


The information contained in this document is subject to change without notice.

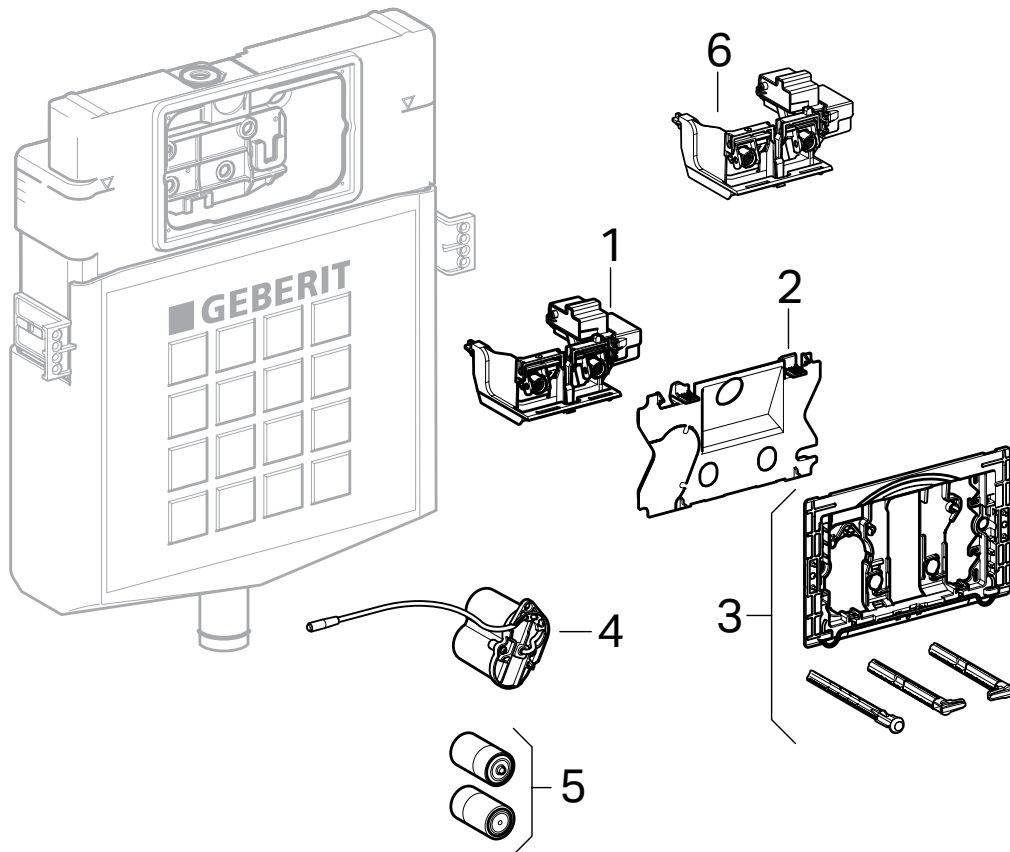
GEBERIT INSTALLATION SYSTEMS

Replacement Parts

Sanitary Flush Units for Sigma12(2x6) 



Item	Model No.	Description
1	245.548.00.6	sFlushU intv Sig12 batt 3V
2	241.303.00.1	Protection plate for WC-control Sigma10 and Mambo
3	242.871.00.1	Mounting frame for WC-control
4	242.870.00.1	Battery housing
5	By others	"D" cell, LR20 alkaline batteries
6	116.109.00.6	



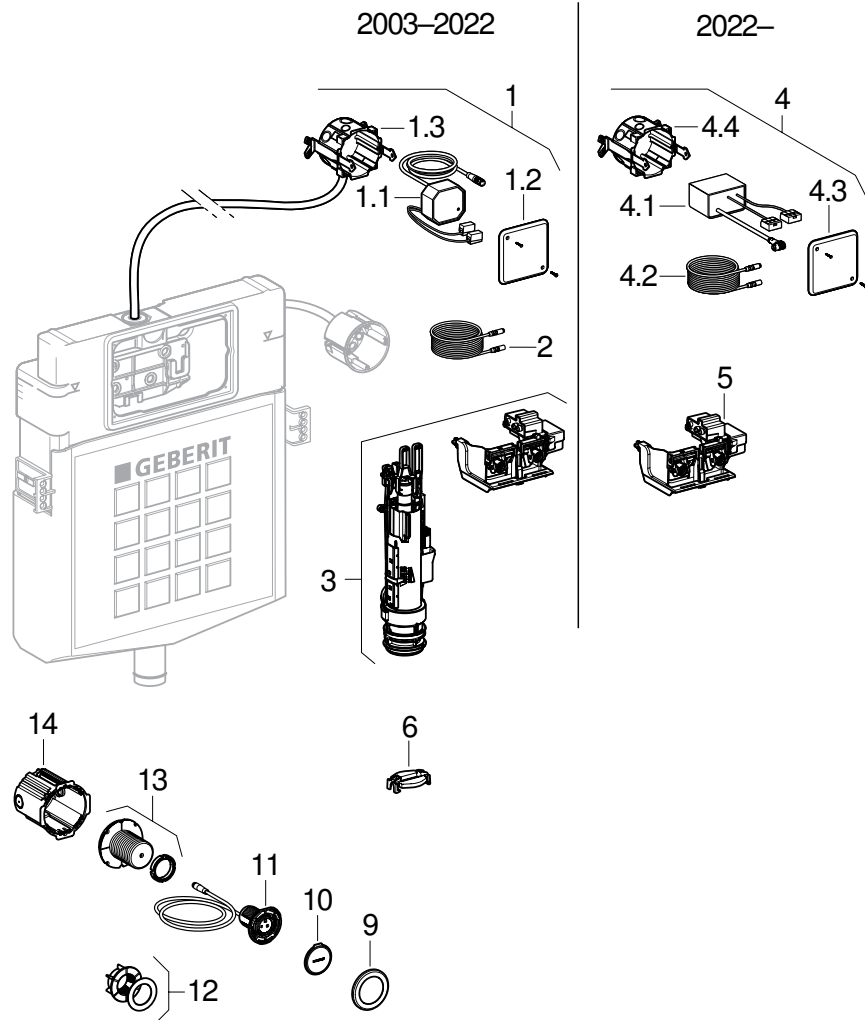
The information contained in this document is subject to change without notice.

Geberit Type 10 IR remote button and Electrical Push-Button Lifter Mains Power for Sigma12(2x6)

115.936 115.862



Item	Model No.	Description
1	115.861.00.1	Control installation set (2022 and earlier)
1.1	241.149.00.1	Power supply unit (2022 and earlier)
1.2	241.161.00.1	Cover for housing for electric socket
1.3	241.302.00.1	Housing for electric socket
2	241.831.00.1	Extension mains cable (2022 and earlier)
3	245.545.00.6	Lifting device/control unit for push-button 3-4.1V Sigma12 (from year 2022)
4	115.861.00.6	Control installation set (from year 2022)
4.1	4.1 243.971.00.1	Geberit power supply unit, universal, 12V for outlet mounting box (from year 2022)
4.2	4.2 244.094.00.1	Voltage supply cable 12 V for Geberit DuoFresh module (from year 2022)
4.3	4.3 241.161.00.1	Cover for housing for electric socket
4.4	4.4 241.302.00.1	Housing for electric socket
5	5 245.546.00.6	Lifting device/control Unit for push-button mains Sigma12 (from year 2022)
6	6 242.975.11.1	Flush valve crown
9	245.553.SN.1	collr IR-b type 10
9	245.553.14.1	collr IR-b type 10 Matte Black NEW!
10	245.554.00.1	IR window f/IR-b type 10
11	245.552.00.1	Geberit Type 10 IR button
12	245.556.00.1	nut f/IR-b type 10
13	245.557.00.1	Geberit adapter, oval opening
14	245.555.00.1	C/housing f/IR-b type 10




The information contained in this document is subject to change without notice.

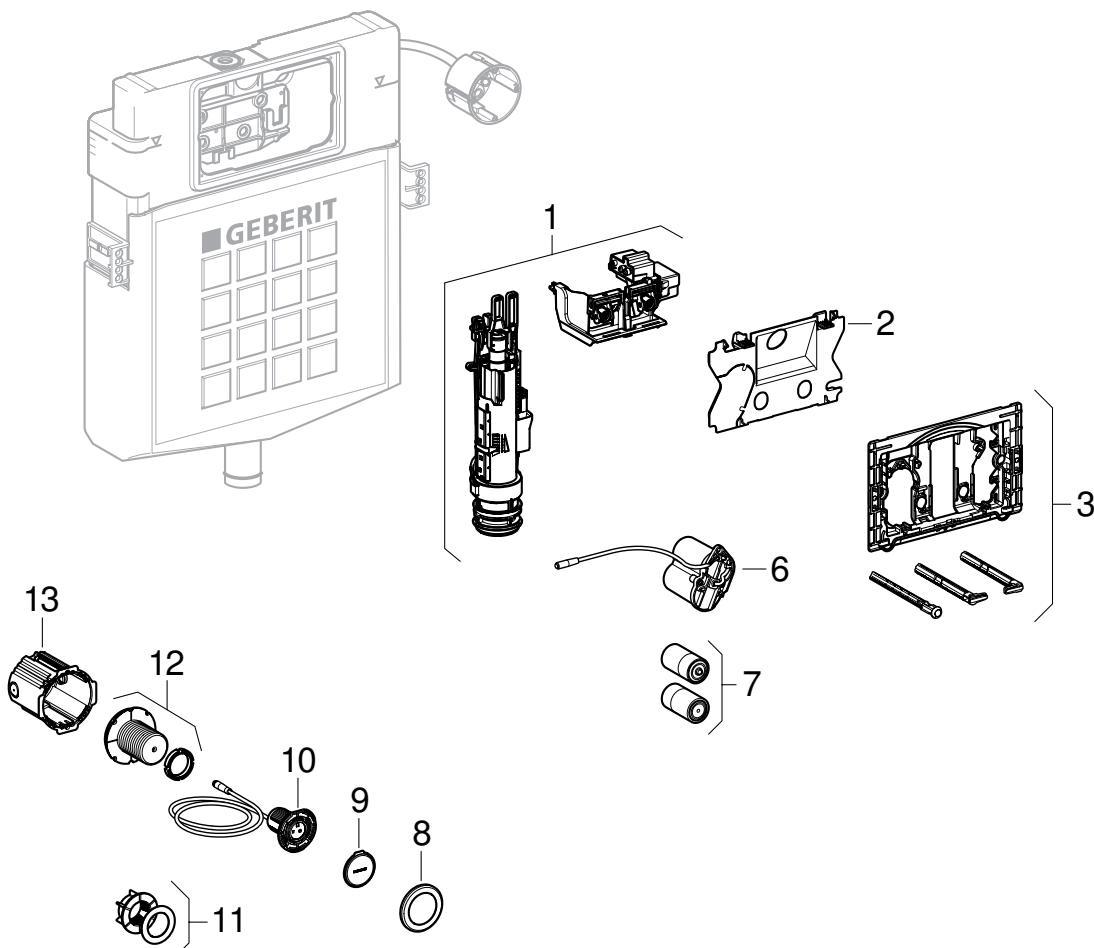
GEBERIT INSTALLATION SYSTEMS

Replacement Parts

Geberit Type 10 IR remote button and Electrical Push-Button Lifter Battery Power for Sigma12(2x6) 



Item	Model No.	Description
1	245.545.00.6	 Lifting device/control unit for push-button 3-4.1V Sigma12 (from year 2022)
2	241.303.00.1	Protection plate for WC-control Sigma10 and Mambo
3	242.871.00.1	Mounting frame for WC-control
6	242.870.00.1	Battery housing
7	By others	"D" cell, LR20 alkaline batteries
8	245.553.SN.1	collr IR-b type 10
8	245.553.14.1	collr IR-b type 10 Matte Black NEW!
9	245.554.00.1	IR window f/IR-b type 10
10	245.552.00.1	Geberit Type 10 IR button
11	245.556.00.1	nut f/IR-b type 10
12	245.557.00.1	Geberit adapter, oval opening
13	245.555.00.1	C/housing f/IR-b type 10







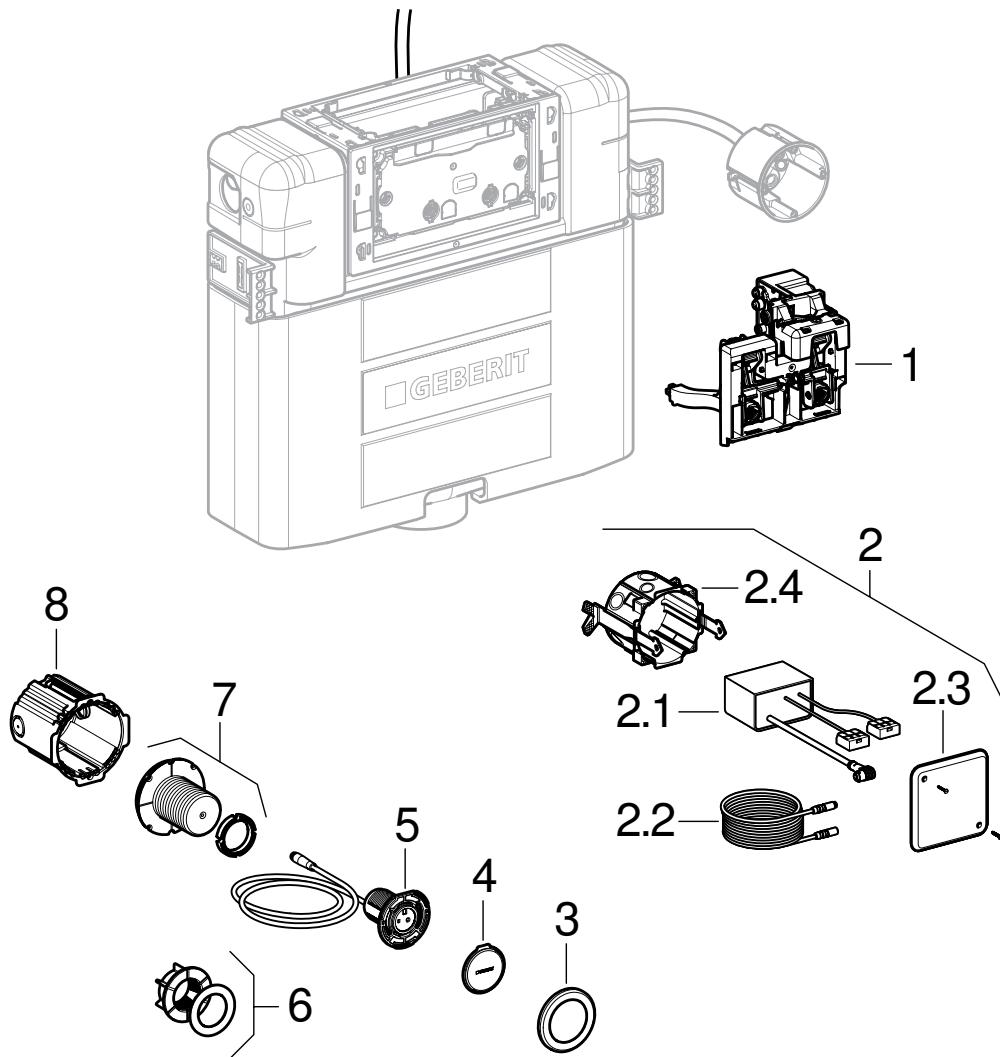
The information contained in this document is subject to change without notice.

Geberit Type10 IR remote button and Electrical Push-Button Lifter Mains Power for Omega12(2x6) 

115.956 115.955



Item	Model No.	Description
1	245.547.00.6	 lifting dev/cntrU f/push-b mains Om12 (from year 2022)
2	115.861.00.6	 Control installation set (from year 2022)
2.1	243.971.00.1	 Geberit power supply unit, universal, 12V for outlet mouting box (from year 2022)
2.2	244.094.00.1	 Voltage supply cable 12 V for Geberit DuoFresh module (from year 2022)
2.3	241.161.00.1	Cover for housing for electric socket
2.4	241.302.00.1	Housing for electric socket
3	245.553.SN.1	collr IR-b type 10
3	245.553.14.1	collr IR-b type 10 Matte Black NEW!
4	245.554.00.1	IR window f/IR-b type 10
5	245.552.00.1	Geberit Type 10 IR button
6	245.556.00.1	nut f/IR-b type 10
7	245.557.00.1	Geberit adapter, oval opening
8	245.555.00.1	C/housing f/IR-b type 10



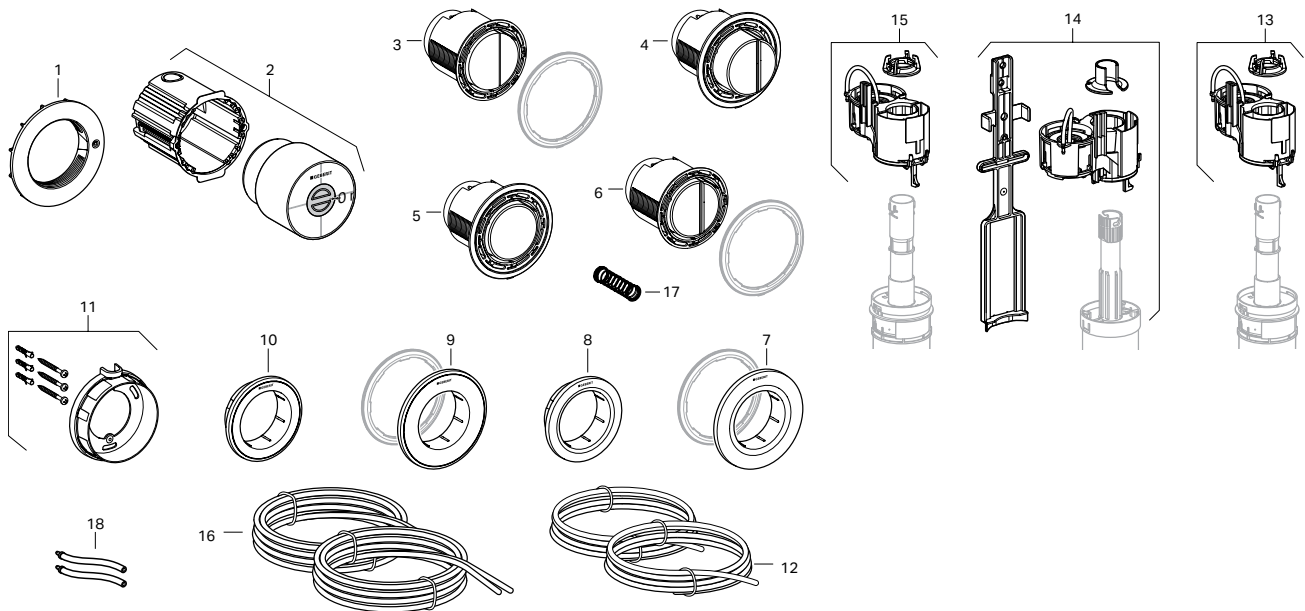
The information contained in this document is subject to change without notice.


GEBERIT INSTALLATION SYSTEMS

Replacement Parts

Geberit Type 01 and Type 10 Remote Push Button Actuators

Item	Model No.	Description
116.040 116.041 116.042 116.043 116.044 116.045 116.050 116.055 116.056 116.057		Actuator Dimensions: Type 01 and Type 10 Concealed Installation: 3.7" (9.4 cm) dia. Furniture Installation: 3.94" (10 cm) dia.
1	242.939.00.1	Nut remote control for furniture
2	243.130.00.1	Concealed housing w/ protection cover
3	243.398.KH.1	Actuator protruding Type 10 dual flush Matte Chrome
3	243.398.KK.1	Actuator protruding Type 10 dual flush Alpine White
3	242.398.KM.1	Actuator protruding Type 10 dual flush, Black
3	242.398.16.1	Actuator protruding Type 10 dual flush, Matte Black
4	243.396.11.1	Actuator protruding Type 01 dual flush Polished Chrome/White
5	243.395.11.1	Actuator Type 01 pneumatic single flush, Alpine White
5	243.395.21.1	Actuator Type 01 pneumatic single flush, Bright Chrome
6	243.397.11.1	Actuator Type 01 pneumatic dual flush, Alpine White
6	243.397.21.1	Actuator Type 01 pneumatic dual flush, Bright Chrome
6	243.397.JQ.1	Actuator Type 01 pneumatic dual flush, Matte Chrome
7	242.961.11.1	Collar for Type 01 for concealed actuator, Alpine White
7	242.961.21.1	Collar for Type 01 for concealed actuator, Bright Chrome
7	242.961.JQ.1	Collar for Type 01 for concealed actuator, Matte Chrome
8	242.962.11.1	Collar for Type 01 furniture actuator, Alpine White
8	242.962.21.1	Collar for Type 01 furniture actuator, Bright Chrome
8	242.962.JQ.1	Collar for Type 01 furniture actuator, Matte Chrome
9	242.963.KH.1	Collar for Type 10 for concealed actuator, Matte Chrome
9	242.963.KJ.1	Collar for Type 10 for concealed actuator, Polished Chrome/White
9	242.963.DW.1	Collar for Type 10 for concealed actuator, Black
9	242.963.16.1	Collar for Type 10 for concealed actuator, Matte Black
10	242.964.KH.1	Collar for Type 10 furniture actuator, Matte Chrome
10	242.964.KJ.1	Collar for Type 10 furniture actuator, Polished Chrome/White
10	242.964.16.1	Collar for Type 10 furniture actuator, Matte Black
10	242.964.DW.1	Collar for Type 10 furniture actuator, Black
11	242.965.00.1	Fastening ring for Type 01 S/M actuator
12	256.000.00.1	Pneumatic hose 3.5 m
13	240.573.00.1	Pneumatic flushing device for WC-control single flush (Sig2x6/Sig2x4)
14	242.594.00.1	Pneumatic flushing device dual for UP720/UP172 (111.728)
15	240.574.00.1	Pneumatic flushing device for WC-control dual flush (Sig2x6/Sig2x4)
16	240.575.00.1	Double pneumatic hose for dual flush 78.74" (2 m) (Blue/Clear)
17	243.703.00.1	Geberit set of compression springs for remote flush actuation types 01 and 10
18	244.601.00.1	Geberit set of adapter hoses d4-5, for remote flush actuation, pneumatic

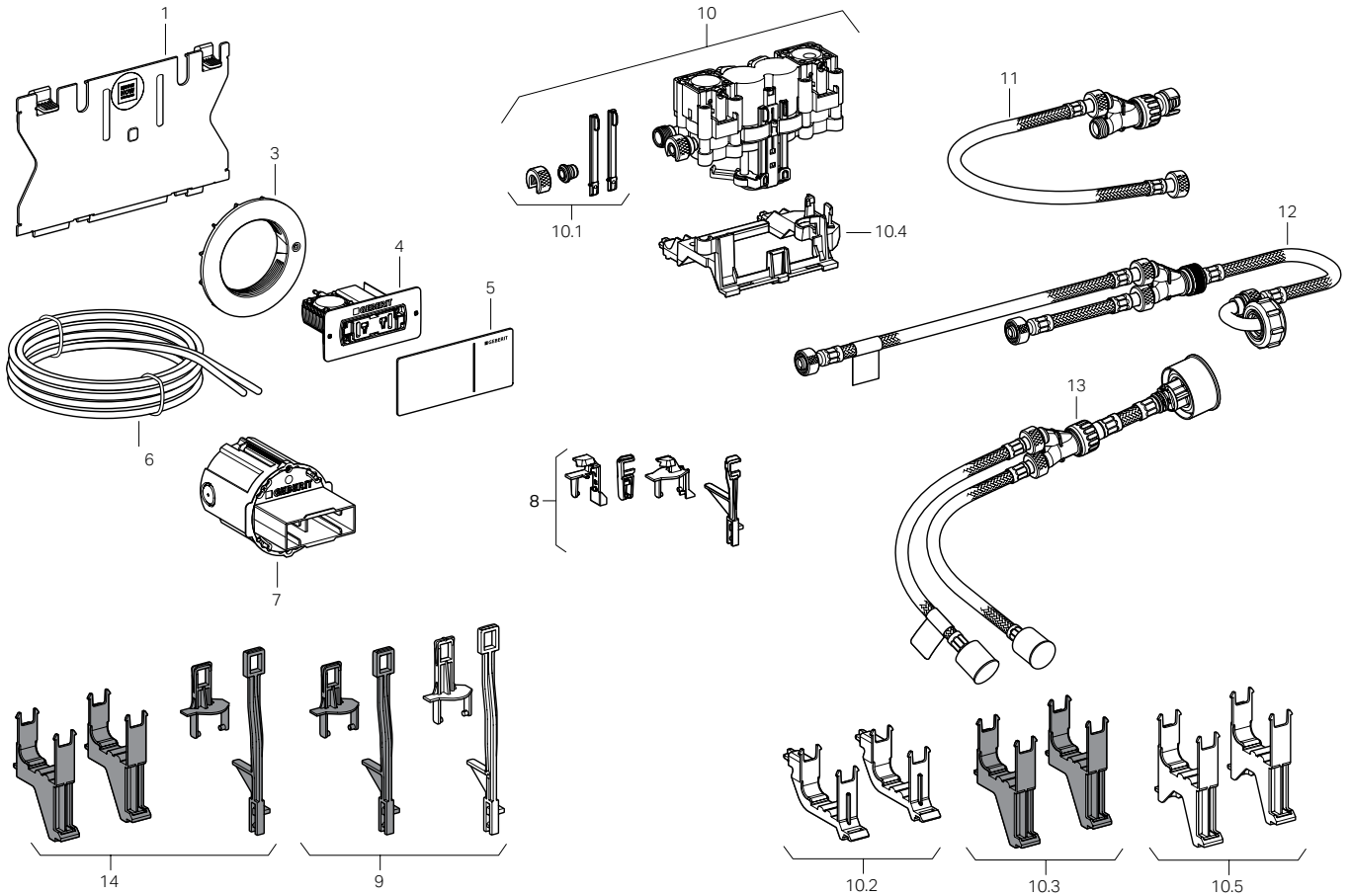


Products marked with  comply with the American Disabilities Act (ADA) when installed per the requirements of the latest ADA Accessibility Guidelines (ADAAG) and/or ICC/ANSI A117.1.

The information contained in this document is subject to change without notice.

Geberit Type 70 Remote Dual-Flush Buttons

Item	115.630	115.635	115.084	Model No.	Description
				Actuator Dimensions: 4.4" x 1.9" (11.2 cm x 5 cm)	
1				242.819.00.1	Protection plate Type 70, for 2x6 Sigma Concealed Tank
	1			243.084.00.1	Protection plate Type 70, for 2x4 Sigma Concealed Tank
3	3	3		242.939.00.1	Nut remote control for furniture installations
4	4	4		242.956.00.1	Ready-to-fit set remote flush actuation Type 70
5	5	5		242.957.FW.1	Remote flush actuation Type 70 Stainless Steel
				242.957.JK.1	Remote flush actuation Type 70, Lava Glass
				242.957.JL.1	Remote flush actuation Type 70, Grey Sand Glass
				242.957.SI.1	Remote flush actuation Type 70 White Glass
				242.957.SJ.1	Remote flush actuation Type 70 Black Glass
6	6	6		243.297.00.1	Double pneumatic hose for dual-flush 2 m (Green/Clear)
7	7	7		242.949.00.1	Installation set remote flush actuation Type 70
8		8		242.825.00.1	Conversion set flush valve for 2x6 Sigma/Omega Concealed Tank
		9		242.826.00.1	Conversion set flush valve for 2x4 Sigma Concealed Tank
10	10	10		242.820.00.1	Hydraulic flushing device, 1-6 bar (15-87 psi)
				243.461.00.1	Hydraulic flushing device, 1-3 bar (15-44 psi). Optional replacement for low pressure service
10.1	10.1	10.1		242.822.00.1	Spare parts set for hydraulic lifter
10.2				243.170.00.1	Support block hydraulic servo lifter for 2x6 Sigma Concealed Tank
	10.3			243.171.00.1	Support block hydraulic servo lifter for 2x4 Sigma Concealed Tank (up to year of manufacture 2015, model 111.728.00.1 UP720)
		10.4		243.169.00.1	Support block hydraulic servo lifter for 2x6 Omega Concealed Tank
		10.5		243.347.00.1	Support block hydraulic servo lifter for 2x4 Sigma Concealed Tank (2016 version)
11				242.824.00.1	Connection hose complete for Type 70, for 2x6 Sigma Concealed Tank
	12			242.823.00.1	Connection hose complete for Type 70, for 2x4 Sigma Concealed Tank
		13		242.958.00.1	Connection hose complete for Type 70, for 2x6 Omega Concealed Tank
	14			245.473.00.1	Conversion set for hydraulic servo lifter, for Sigma concealed tank 8 cm/2x4 (up to year of manufacture 2015, model 111.728.00.1 UP720)



The information contained in this document is subject to change without notice.

GEBERIT INSTALLATION SYSTEMS

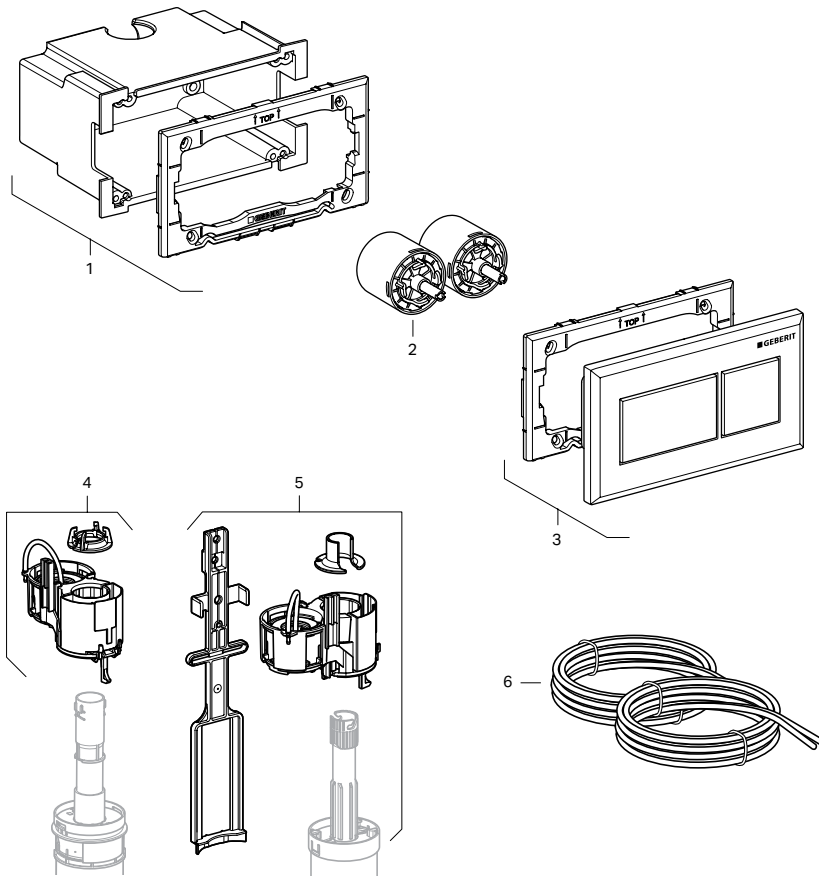
Replacement Parts


Geberit Rectangular Remote Push Button Actuators

115.932 115.934 Actuator Dimensions: 5.06" x 2.91" (12.9 cm x 7.4 cm)
 116.051 116.052
 116.053 116.054



Item	Model No.	Description
1	244.505.00.1	Installation set for remote flush actuation, rectangle design, pneumatic
2	244.501.00.1	Pneumatic cylinder set for remote flush actuation, rectangle design, pneumatic (2 pc.)
3	242.849.GH.1	Actuator for remote flush actuation, rectangle design, pneumatic: Chrome-Plated, Brushed; Chrome-Plated, Brushed
3	242.849.KA.1	Actuator for remote flush actuation, rectangle design, pneumatic: Bright Chrome-Plated; Chrome-Plated, Brushed
3	242.849.KV.1	Actuator for remote flush actuation, rectangle design, pneumatic: Black, High-Gloss; Chrome-Plated, Brushed
3	244.504.21.1	Actuator for remote flush actuation, rectangle design, pneumatic, protruding: bright Chrome-Plated
4	240.574.00.1	Pneumatic lifter, dual-flush
5	242.594.00.1	Pneumatic flushing device single-flush UP720, carrier model 111.728
6	240.575.00.1	Dual pneumatic air hose



Products marked with  comply with the American Disabilities Act (ADA) when installed per the requirements of the latest ADA Accessibility Guidelines (ADAAG) and/or ICC/ANSI A117.1.

The information contained in this document is subject to change without notice.

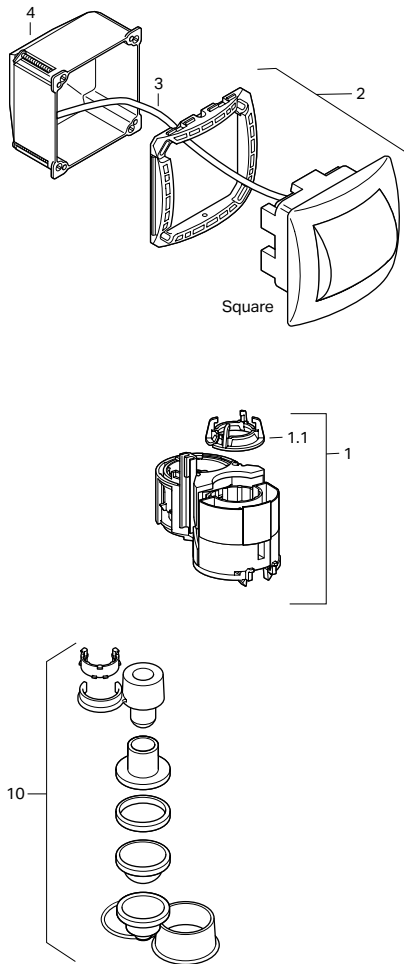
Inactive Geberit Square Remote Push Button Actuators

115.941/ 115.942 115.991 Actuator Dimensions: 4.25" x 4.25" (10.8 cm x 10.8 cm)
115.946

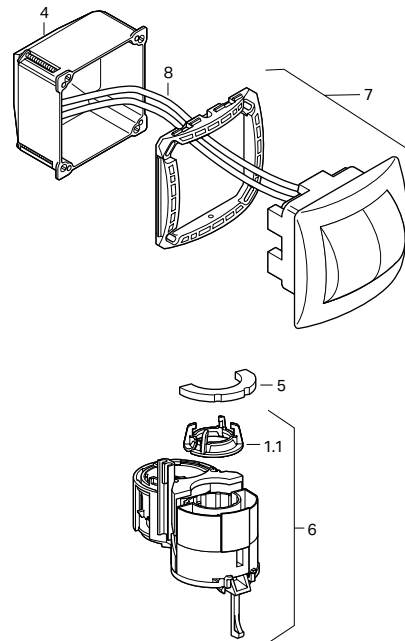


Item	Model No.	Description
1	240.573.00.1	Pneumatic flushing device for WC flush control single
1.1	880.328.11.1	Lifter flange dual-flush valve system
2	240.571.11.1	Wall mount actuator for pneumatic single-flush for WC flush control, Alpine White
2	240.571.KA.1	Wall mount actuator for pneumatic single-flush for WC flush control, Matte Chrome
3	256.000.00.1	Pneumatic hose
4	240.582.00.1	Concealed housing
	242.401.00.1	Brass weight for WC flush control pneumatic dual-flush
	240.574.00.1	Pneumatic flushing device for WC flush control dual-flush
	240.572.11.1	Wall mount actuator for pneumatic dual-flush for WC flush control, Alpine White
	240.572.KA.1	Wall mount actuator for pneumatic dual-flush for WC flush control, Matte Chrome
	240.575.00.1	Double pneumatic hose for dual-flush (Blue/Clear)
	242.594.00.1	Pneumatic flushing device single-flush UP720, carrier model 111.728
10	240.004.00.1	Conversion set for single flush valves 1985 - 1998

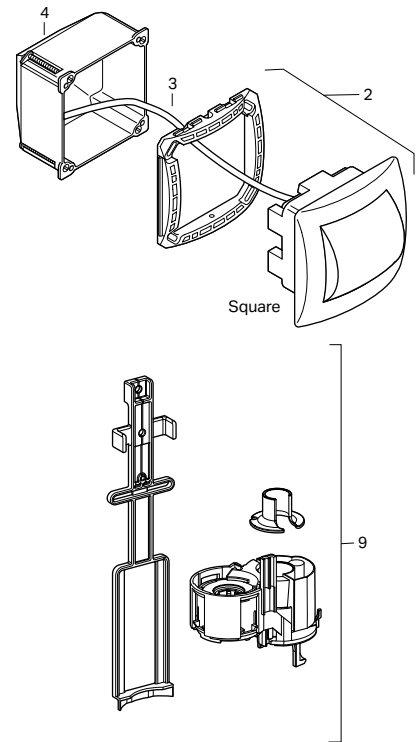
115.941, 115.946 (Sigma 2x6 or Omega 2x6)



115.942 (Sigma 2x6 or Omega 2x6)



115.991 (Sigma 2x4)



The information contained in this document is subject to change without notice.

GEBERIT INSTALLATION SYSTEMS

Replacement Parts

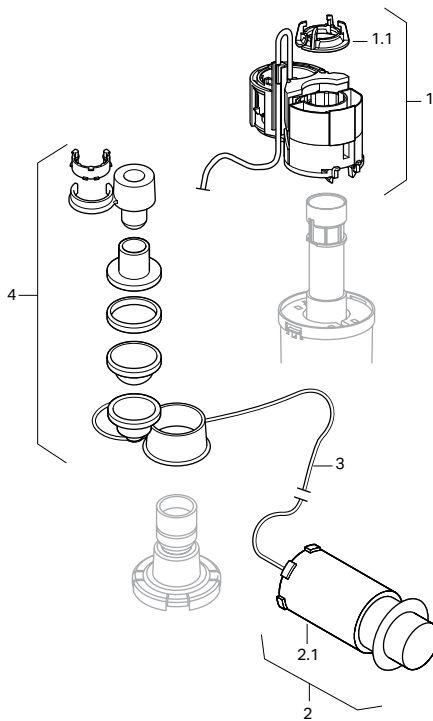
Inactive Geberit Round Remote Push Button Actuators

115.114 115.992 115.999 Actuator Dimensions: Round Single-Flush 2.5" (6.4 cm) dia., Round Dual-Flush 2.44" (6.2 cm) dia., Halfmoon 3.25" (8 cm) dia.

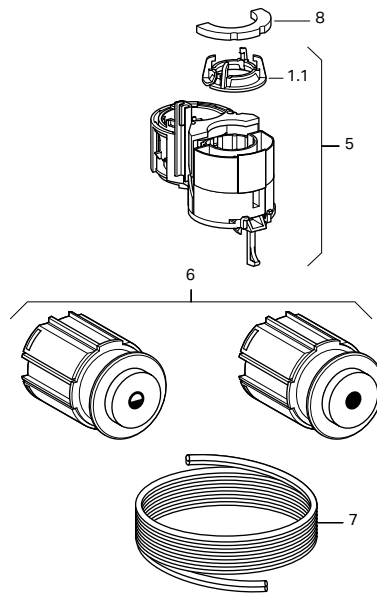


Item	Model No.	Description
1	240.573.00.1	Pneumatic flushing device for WC-control single-flush. From 1999
1.1	1.1 880.328.11.1	Lifter flange dual-flush valve system
2	241.199.11.1	Wall mount manual actuator pneumatic single-flush
	241.199.21.1	Wall mount manual actuator pneumatic single-flush
2.1	240.794.00.1	Bellows to pneumatic actuator
3	256.000.00.1	Pneumatic hose
4	240.004.00.1	Conversion set for single flush valves 1985 - 1998
	5 240.574.00.1	Pneumatic flushing device for WC-control dual-flush
	6 242.380.21.1	Actuator WC-control pneumatic dual-flush set
	7 240.575.00.1	Double pneumatic hose for dual-flush (Blue/Clear)
	8 242.401.00.1	Brass weight 28.5g for WC-control pneumatic dual-flush
	9 241.413.21.1	Wall mount manual actuator, pneumatic dual-flush for WC flush control
	9.1 242.548.00.1	Collar for wall mount actuator WC flush control

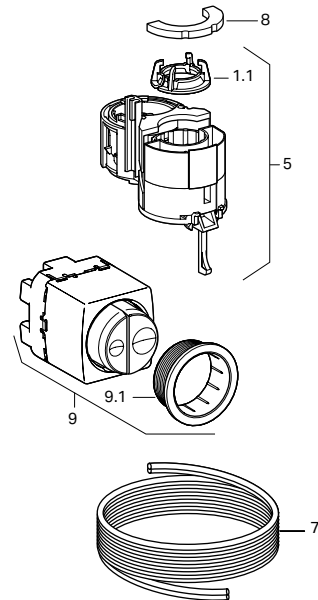
115.114 (Sigma 2x6 or Omega 2x6)



115.992 (Sigma 2x6 or Omega 2x6)



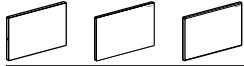
115.999 (Sigma 2x6 or Omega 2x6)



The information contained in this document is subject to change without notice.

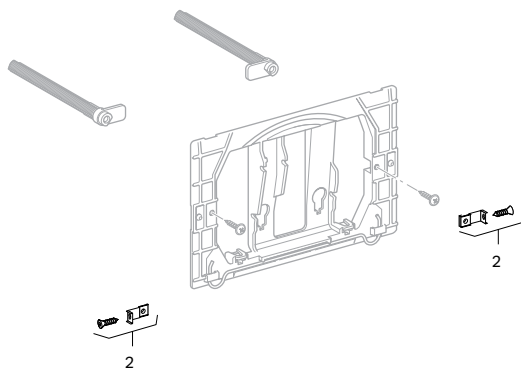
Geberit Cover Plates, Sigma for Use with Flush Buttons

115.764 115.766 115.768 Actuator Dimensions: 9.7" x 6.5" (24.6 cm x 16.4 cm)

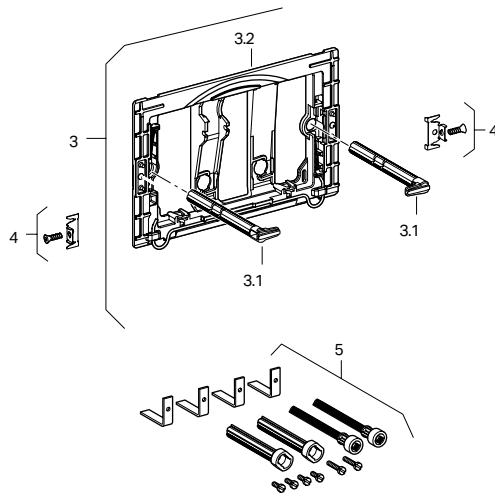


Item			Model No.	Description
2	2	2	241.093.00.1	Fastening for cover plate UP300 set-2
3	3	3	241.873.00.1	Conversion set for tool-free installation
3.1	3.1	3.1	241.874.00.1	Actuator rod set mount w/o tool (From 2008)
3.2	3.2	3.2	241.876.00.1	Mounting frame tool-free (From 2008)
4	4	4	241.877.00.1	Screw for Twist, Tango, Mambo set-2. For tool-free mounting frame.
5	5	5	240.938.00.1	Extension set for C/C UP200/UP300

< 2008



> 2008



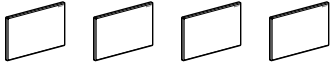
The information contained in this document is subject to change without notice.

GEBERIT INSTALLATION SYSTEMS

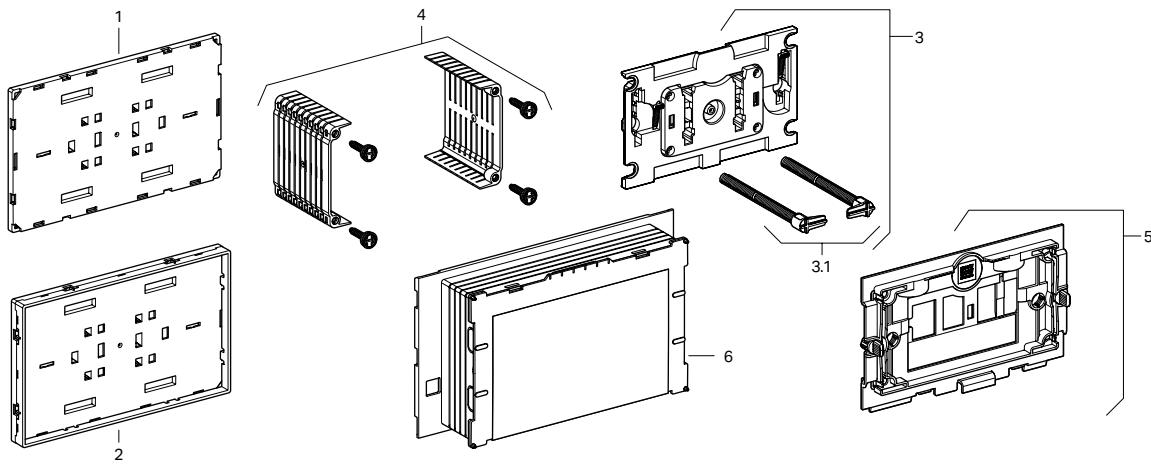
Replacement Parts

Geberit Cover Plates, Sigma, Surface-Even

115.696 115.697 115.698 115.699

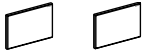


Item			Model No.	Description
1		1	243.303.00.1	Support plate Sigma
	2		243.307.21.1	Support plate Sigma with sight frame
3	3	3	243.301.00.1	Mechanism plate
3.1	3.1	3.1	242.588.00.1	Actuator rod set for Omega and Sigma60
4	4	4	243.110.00.1	Distance element Omega60 set-2
5	5	5	243.304.00.1	Adapter plate Sigma surface even cover plate
		6	243.168.00.1	Rough install set surface even C/C for Sigma 12 cm
7			CR115-6111	White, Matte White Accent
7			CR115-6161	Matte Black Coated, Black Accent
7			CR115-6FW1	Brushed Stainless Steel

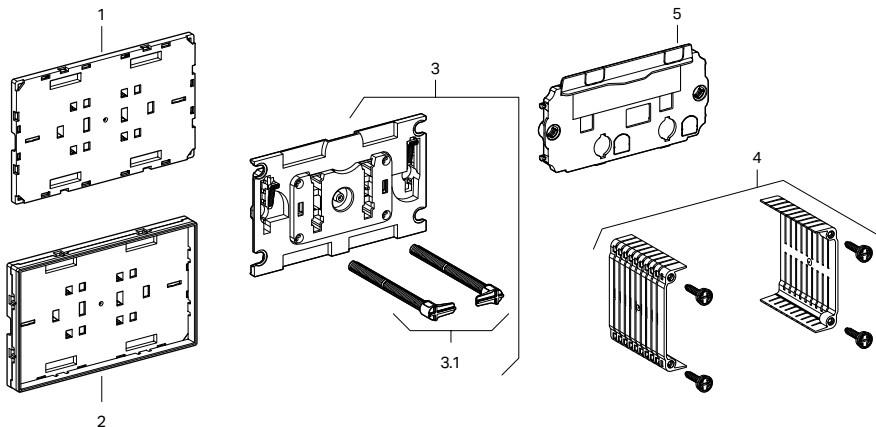


Geberit Cover Plates, Omega, Surface-Even

115.087 115.088



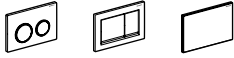
Item		Model No.	Description
1		243.299.00.1	Support plate Omega
	2	243.306.21.1	Support plate Omega with sight frame
3	3	243.301.00.1	Mechanism plate
3.1	3.1	242.588.00.1	Actuator rod set for Omega and Sigma60
4	4	243.110.00.1	Distance element Omega60 set-2
5	5	243.302.00.1	Protection plate for Omega cover plate, surface even



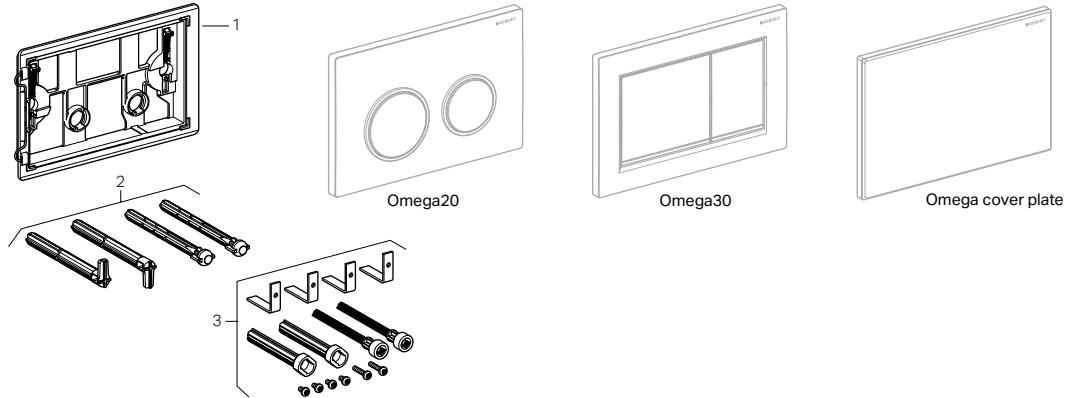
The information contained in this document is subject to change without notice.

Geberit Omega20 and Omega30 Actuators

115.085 115.080 115.082 Actuator Dimensions: 8.3" x 5.6" (21.2 cm x 14.2 cm)



Item	Model No.	Description
1	243.108.00.1	Mounting frame Omega
2	242.588.00.1	Rod set to Omega and Sigma60
3	240.938.00.1	Extension set for actuator plates for Sigma Concealed Tanks 2x6 and 2x4, Kappa and Omega Concealed Tanks

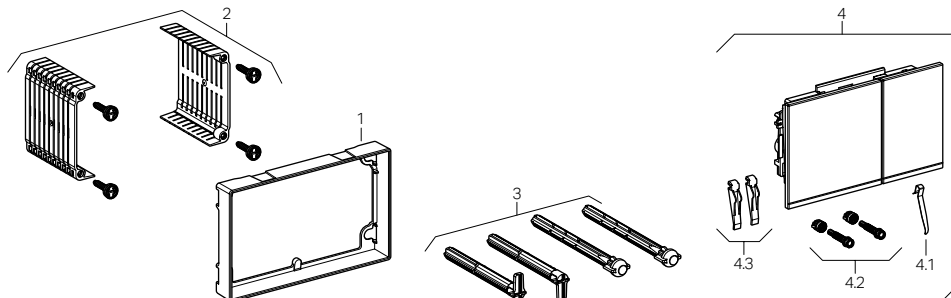



Geberit Omega60 Actuators

115.081 Actuator Dimensions: 7.2" x 4.5" (18.4 cm x 11.4 cm), 8.2"x5.5" (20.9 cm x 13.9 cm with frame)



Item	Model No.	Description
1	243.109.00.1	Compensation frame Omega60
2	243.110.00.1	Distance element Omega60 set-2
3	242.588.00.1	Rod set to Omega and Sigma60
4	243.118.GH.1	Actuator plate Omega60, Brushed Chrome
4	243.118.JK.1	Actuator plate Omega60, Lava Glass
4	243.118.JL.1	Actuator plate Omega60, Grey Sand Glass
4	243.118.SI.1	Actuator plate Omega60, White Glass
4	243.118.SJ.1	Actuator plate Omega60, Black Glass
4.1	813.514.00.1	Spring for actuator plate
4.2	242.920.00.1	Stopper pin for Omega60/Sigma60 set-2
4.3	243.294.00.1	Rocker plate for Omega60/Sigma60 set-2



Products marked with  comply with the American Disabilities Act (ADA) when installed per the requirements of the latest ADA Accessibility Guidelines (ADAAG) and/or ICC/ANSI A117.1.

The information contained in this document is subject to change without notice.

GEBERIT INSTALLATION SYSTEMS

Replacement Parts

Inactive Geberit Kappa Actuators

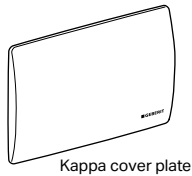
115.228 115.258 115.260 115.680

Actuator Dimensions: 8.3" x 5.6" (21.2 cm x 14.2 cm)

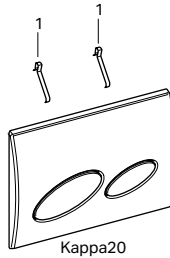


Item	Model No.	Description
1	241.295.00.1	Spring for actuator plate, 10 pcs
2	240.639.00.1	Actuator lever rod set for Kappa Concealed Tank
3	240.646.00.1	Mounting frame for Kappa Concealed Tank/Artline
4	240.938.00.1	Extension set for actuator plates for Sigma Concealed Tanks 2x6 and 2x4, Kappa and Omega Concealed Tanks

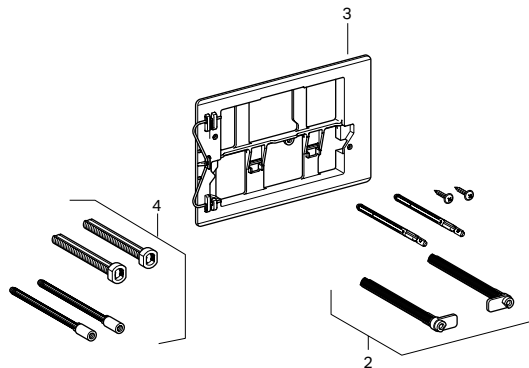
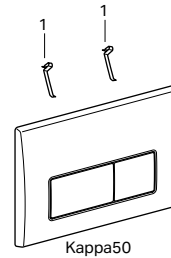
115.680




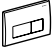

115.228




115.258/115.260




Complete Units

Style	Material	Finish	Model No.
	Plastic	Alpine White	115.228.11.1
		Polished Chrome	115.228.21.1
		Matte Chrome	115.228.46.1
	Stainless	Brushed Stainless Steel	115.258.00.1
	Zinc	Alpine White	115.260.11.1
		Polished Chrome	115.260.21.1
		Matte Chrome	115.260.46.1

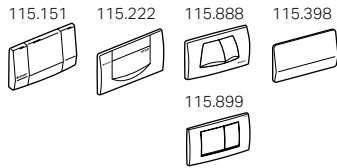
Cover Plates for Kappa Concealed Tank Pre-wall, 2x6 Installation for use with Flush Buttons

	Plastic	Alpine White	115.680.11.1
		Polished Chrome	115.680.21.1

Products marked with  comply with the American Disabilities Act (ADA) when installed per the requirements of the latest ADA Accessibility Guidelines (ADAAG) and/or ICC/ANSI A117.1.

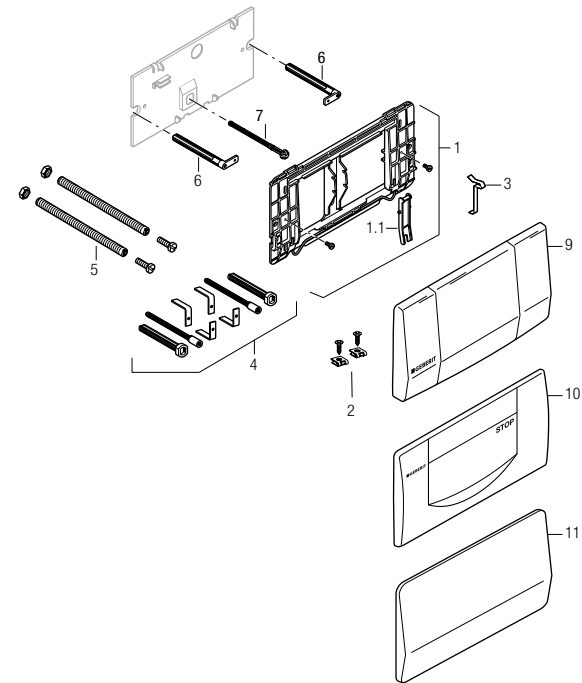
The information contained in this document is subject to change without notice.

Inactive Geberit Duofix Carriers 110.816, 110.826 and 111.816 

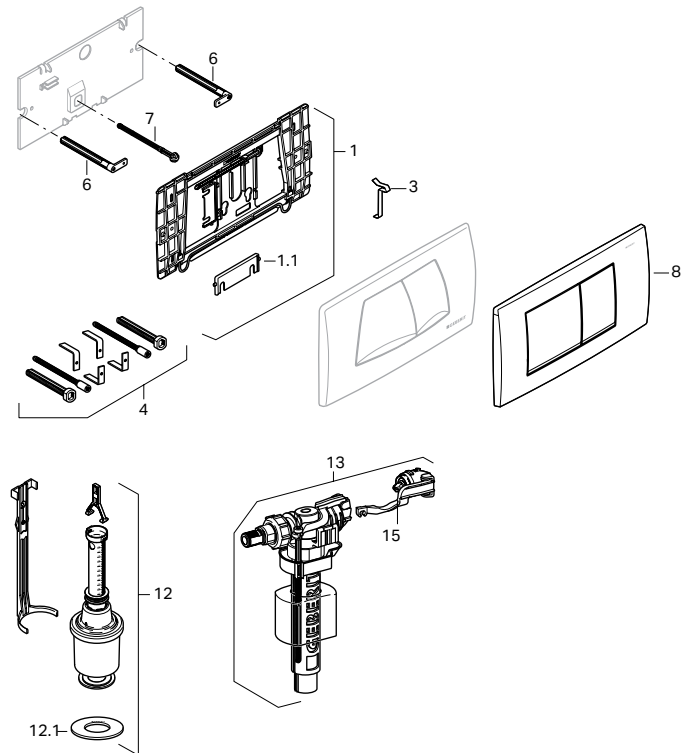



Item	Model No.	Description
1	240.513.00.1	Mounting frame for Twinline dual flush
1	240.068.00.1	Mounting Frame for Highline
1.1	240.066.00.1	Stop-and-go lever for Highline and 200F
	240.514.00.1	Push rod locking piece for Twinline
2	241.877.00.1	Screw for Twist, Tango, Mambo set-2
3	813.514.00.1	Spring for actuator plate
4	240.058.00.1	Extension set for actuator flush plates
5	216.024.00.1	Threaded bolt (one pair) set
6	240.067.00.1	Actuator bolt
7	240.074.00.1	Actuator rod for Twinline, 200F, Highline
	115.899.KJ.1	White-Polished Chrome
	115.899.KH.1	Polished Chrome-Matte Chrome
	115.899.JQ.1	Matte Chrome-Polished Chrome
9	115.151.00.1	Actuator plate, Highline single flush, Brushed Stainless Steel
	115.222.11.1	Actuator plate, 200F single flush, Alpine White
	115.222.21.1	Actuator plate, 200F single flush, Bright Chrome
	115.222.46.1	Actuator plate, 200F single flush, Matte Chrome
	115.398.00.1	Cover plate Twinline dual flush, Brushed Stainless Steel
12	240.114.00.1	Flush valve universal S/G C/C
12.1	816.418.00.1	Geberit flat gasket for flush valve (set of 10)
13	241.469.00.1	Filling valve Type 380 for Sigma, Omega and Kappa Concealed Tanks
13.1	240.771.00.1	Seal kit for filling valve Type 380

115.151 (Highline), 115.222 (200F), 115.398 (Twinline Coverplate)



115.888 (Twinline Dual Flush), 115.899 (Twinline30)



Products marked with  comply with the American Disabilities Act (ADA) when installed per the requirements of the latest ADA Accessibility Guidelines (ADAAG) and/or ICC/ANSI A117.1.

The information contained in this document is subject to change without notice.

GEBERIT INSTALLATION SYSTEMS

Replacement Parts

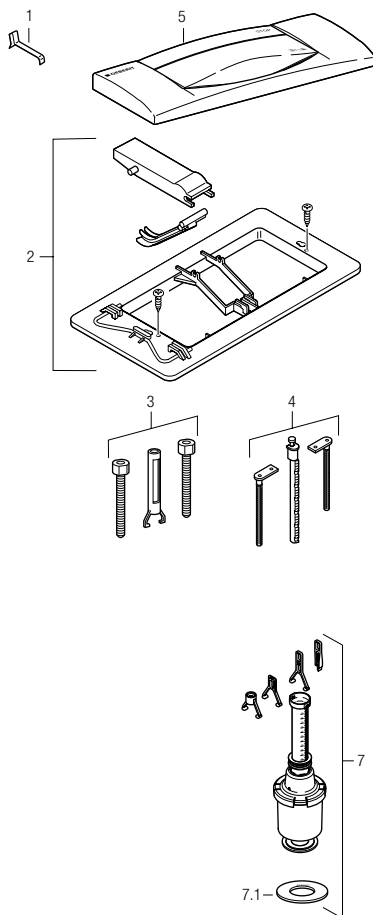
Inactive Geberit Duofix Carriers 110.816, 110.826 and 111.816 

115.333 115.394

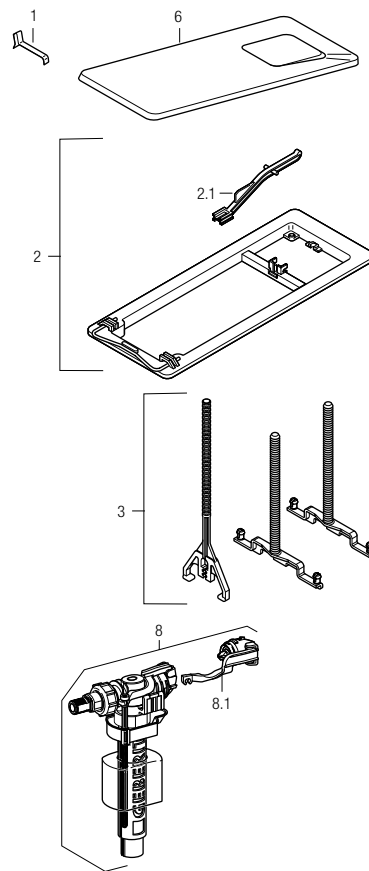



Item	Model No.	Description
1	1	813.514.00.1 Spring for actuator plate
2		240.322.00.1 Mounting frame
	2	240.041.00.1 Conversion set
	2.1	889.110.11.1 Rocker lever
3		240.180.00.1 Extension set for actuator plates 115.333/115.395 for finished wall from 3.50"-7.00" (9-18cm)
	3	240.087.00.1 Extension set for actuator plate 115.392/115.394
4		240.323.00.1 Actuator rod for 300T/115.392/115.394
5		115.333.11.1 300T Style, Alpine White
	6	115.394.11.1 Topline Style, Alpine White
7	7	240.113.00.1 Flush valve universal S/G E/C
7.1	7.1	816.418.00.1 Geberit flat gasket for flush valve (set of 10)
8	8	241.469.00.1 Filling valve Type 380 for Sigma, Omega and Kappa Concealed Tanks
8.1	8.1	240.771.00.1 Seal kit for filling valve Type 380

115.333 (300T)



115.394 (Topline)



Products marked with  comply with the American Disabilities Act (ADA) when installed per the requirements of the latest ADA Accessibility Guidelines (ADAAG) and/or ICC/ANSI A117.1.

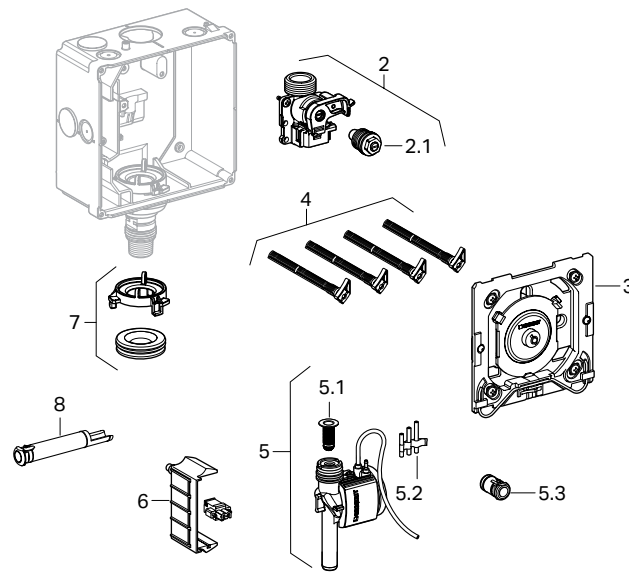
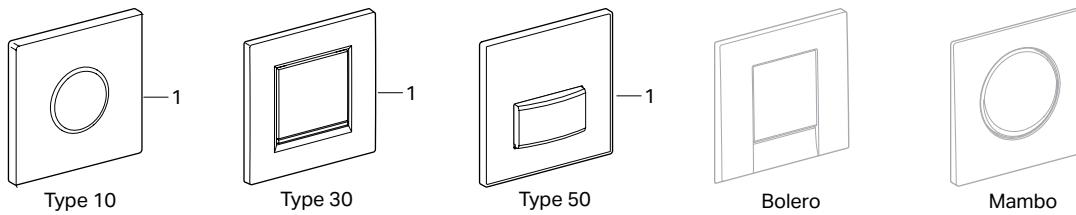
The information contained in this document is subject to change without notice.


Geberit Type 50, Type 30, Type 10, Bolero and Mambo Urinal Actuators 

116.015 116.017 116.016 116.012 116.013 Actuator Dimensions: 5.12" x 5.12" (13 cm x 13 cm)



Item					Model No.	Description
1				1	241.915.SN.1	Actuator plate Type 10/Mambo, Brushed Stainless Steel
1				1	241.915.16.1	Actuator plate Type 10/Mambo, Matte Black Coated, Black Accent
1				1	241.915.DW.1	Actuator plate Type 10/Mambo, Black, Matte Black Accent
	1				243.270.16.1	Actuator plate Type 30, Matte Black Coated, Black Accent
	1				243.270.DW.1	Actuator plate Type 30, Black, Matte Black Accent
	1				243.270.KH.1	Actuator plate Type 30, Polished Chrome, Matte Chrome Accent
	1				243.270.KJ.1	Actuator plate Type 30, White, Polished Chrome Accent
		1			242.764.11.1	Actuator plate Type 50, Alpine White
		1			242.764.GH.1	Actuator plate Type 50, Brushed Chrome
		1			242.764.JK.1	Remote flush actuation Type 50, Lava Glass
		1			242.764.JL.1	Remote flush actuation Type 50, Grey Sand Glass
		1			242.764.00.1	Actuator plate Type 50, Custom
2	2	2	2	2	241.934.00.1	Stop valve with throttle, complete
2.1	2.1	2.1	2.1	2.1	241.933.00.1	Regulating screw
3	3	3	3	3	241.937.00.1	Pneumatic actuator with mounting frame
4	4	4	4	4	241.931.00.1	Distance bolts, set
5	5	5	5	5	241.935.00.1	Pneumatic valve
5.1	5.1	5.1	5.1	5.1	241.932.00.1	Basket filter
5.2	5.2	5.2	5.2	5.2	241.936.00.1	Nozzle set, White
5.3	5.3	5.3	5.3	5.3	243.327.00.1	Flushing Volume Control 4 GPM (14 LPM)
6	6	6	6	6	241.947.00.1	Insulation protection with connection terminal
7	7	7	7	7	242.156.00.1	Lip seal flushing pipe
8	8	8	8	8	242.484.00.1	Flow limiter for UR-controls



Products marked with  comply with the American Disabilities Act (ADA) when installed per the requirements of the latest ADA Accessibility Guidelines (ADAAG) and/or ICC/ANSI A117.1.

The information contained in this document is subject to change without notice.

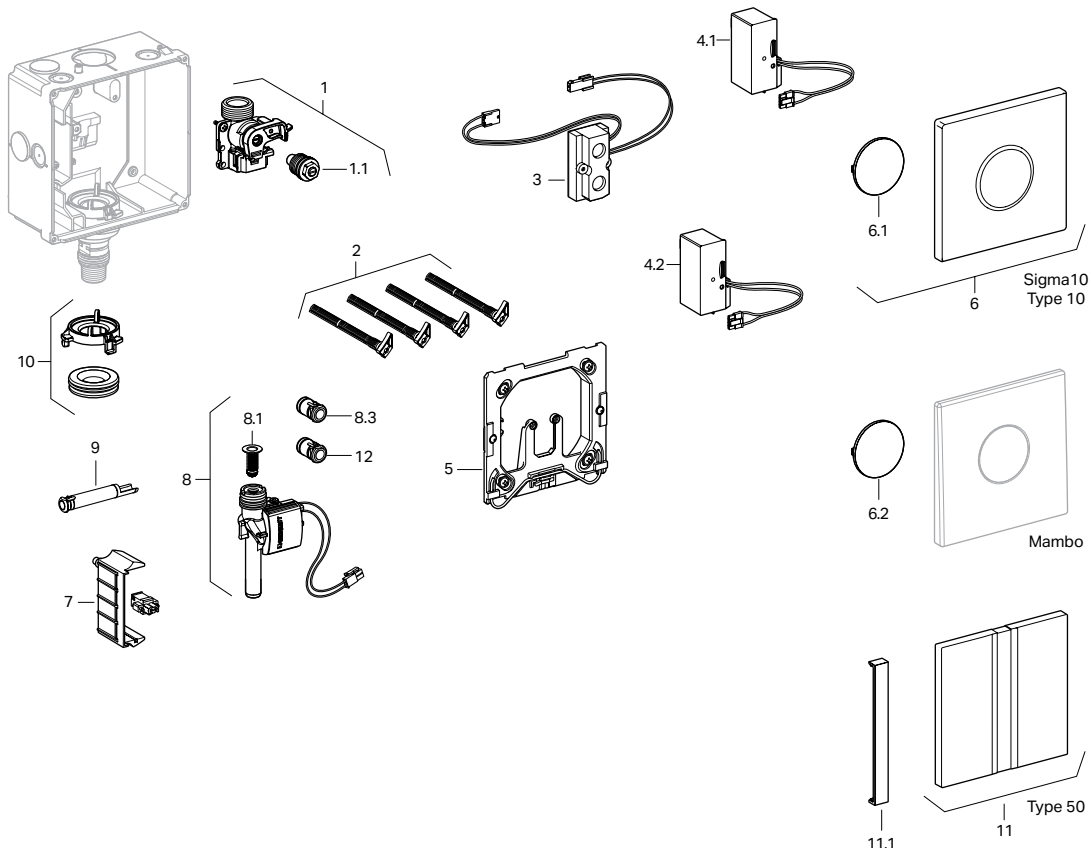
GEBERIT INSTALLATION SYSTEMS


Replacement Parts

Geberit Hands-Free Type 10 and Mambo Urinal Actuator

116.035 116.025 116.033 116.023 116.036 116.026 116.028 116.038 Actuator Dimensions: 5.12" x 5.12" (13 cm x 13 cm)

Item	1	1.1	2	3	4.1	4.2	4.3	5	6	6	6	6.1	7	8	8.1	8.3	9	10	11	11	11	11	11.1	12	
Model No.																									
Description																									
1	1	1	1	1	1	1	1	1	1	1	1	1	1	1	1	1	1	1	1	1	1	1	1	1	1
1.1	1.1	1.1	1.1	1.1	1.1	1.1	1.1	1.1	1.1	1.1	1.1	1.1	1.1	1.1	1.1	1.1	1.1	1.1	1.1	1.1	1.1	1.1	1.1	1.1	1.1
2	2	2	2	2	2	2	2	2	2	2	2	2	2	2	2	2	2	2	2	2	2	2	2	2	2
3	3	3	3	3	3	3	3	3	3	3	3	3	3	3	3	3	3	3	3	3	3	3	3	3	3
4.1			4.1		4.1							4.1													
	4.2		4.2		4.2		4.2																		
4.3		4.3																							
5	5	5	5	5	5	5	5	5	5	5	5	5	5	5	5	5	5	5	5	5	5	5	5	5	5
6	6	6	6	6	6	6	6	6	6	6	6	6	6	6	6	6	6	6	6	6	6	6	6	6	6
6	6	6	6	6	6	6	6	6	6	6	6	6	6	6	6	6	6	6	6	6	6	6	6	6	6
6	6	6	6	6	6	6	6	6	6	6	6	6	6	6	6	6	6	6	6	6	6	6	6	6	6
6.1	6.1																								
		6.2	6.2																						
7	7	7	7	7	7	7	7	7	7	7	7	7	7	7	7	7	7	7	7	7	7	7	7	7	7
8	8	8	8	8	8	8	8	8	8	8	8	8	8	8	8	8	8	8	8	8	8	8	8	8	8
8.1	8.1	8.1	8.1	8.1	8.1	8.1	8.1	8.1	8.1	8.1	8.1	8.1	8.1	8.1	8.1	8.1	8.1	8.1	8.1	8.1	8.1	8.1	8.1	8.1	8.1
8.3	8.3	8.3	8.3	8.3	8.3	8.3	8.3	8.3	8.3	8.3	8.3	8.3	8.3	8.3	8.3	8.3	8.3	8.3	8.3	8.3	8.3	8.3	8.3	8.3	8.3
9	9	9	9	9	9	9	9	9	9	9	9	9	9	9	9	9	9	9	9	9	9	9	9	9	9
10	10	10	10	10	10	10	10	10	10	10	10	10	10	10	10	10	10	10	10	10	10	10	10	10	10
					11	11																			
					11	11																			
					11	11																			
					11	11																			
					11.1	11.1																			
							12	12																	



Products marked with  comply with the American Disabilities Act (ADA) when installed per the requirements of the latest ADA Accessibility Guidelines (ADAAG) and/or ICC/ANSI A117.1.

The information contained in this document is subject to change without notice.



The information contained in this document is subject to change without notice.

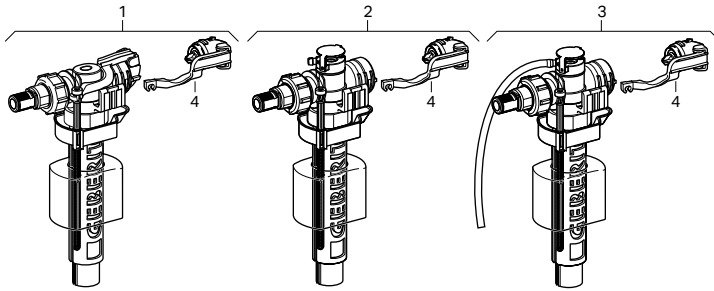
GEBERIT FLUSHING SYSTEMS

Replacement Parts

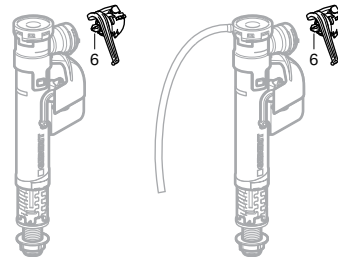
Geberit Filling Valves Type 380, 360, 34x and 330

Type 380	Type 360	Type 34x	Type 330	Model No.	Description
1				240.700.00.1	Filling valve Type 380 for exposed tanks (replacement)
2				241.469.00.1	Filling valve Type 380 for concealed tanks
3				241.470.00.1	Filling valve Type 380 for tanks w/refill (replacement)
4				240.771.00.1	Seal kit for filling valve Type 380
6				241.813.00.1	Seal kit for filling valve Type 360
	7			225.170.00.1	Set of seals for fill valve Type 34x
		8		238.069.00.1	Diaphragm membrane for fill valve Type 330

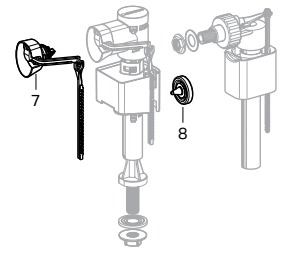
Filling Valve Type 380



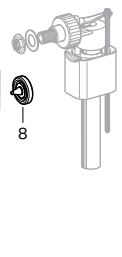
Filling Valve Type 360



Filling Valve Type 34x



Filling Valve Type 330



The information contained in this document is subject to change without notice.

GEBERIT FLUSHING SYSTEMS

Replacement Parts

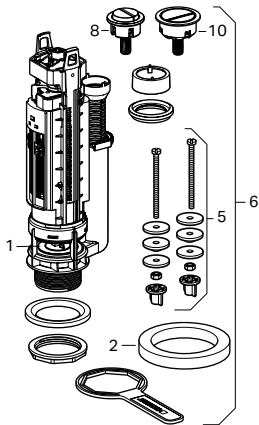
Geberit Flushing Valves Type 290, 280 and Type 250

Type 290 Dual-flush	Type 290 Single-flush	Type 280 Dual-flush	Type 280 Single-flush	Type 250* Dual-flush	Model No.	Description
Item						
1	1	1	1	1	816.418.00.1	Geberit flat gasket for flush valve (set of 10)
2	2	2			813.812.00.1	Gasket
		3			241.800.KD.1	Flushing valve Type 280 actuator button, dual-flush
			4		241.820.21.1	Flushing valve Type 280 actuator button, single-flush
5	5	5	5		217.869.00.1	Hardware kit
6					282.350.21.2	Flushing valve Type 290, dual-flush
6.1	6.1	6.1	6.1	6.1	243.320.00.1	Flushing Valve Type 290, dual-flush
6.2	6.2	6.2	6.2	6.2	243.321.00.1	Flushing Valve Type 290, dual-flush, L=3 inches
6.3	6.3	6.3	6.3	6.3	243.430.00.1	Flushing Valve Type 290, dual-flush, L=18 inches
	7				282.050.21.2	Flushing valve Type 290, single-flush
8					243.318.21.1	Dual-flush actuator for flush valve Type 290
	9				243.319.21.1	Single-flush actuator for flush valve Type 290

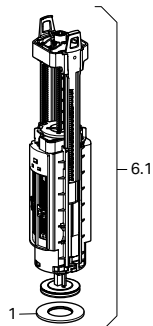
Note: Type 50 formerly called Impuls and Twico.

* For Flushing valve Type 250, the only spare part available is item #1. If other parts are needed, a complete Flushing valve Type 290 (item #6) must be ordered.

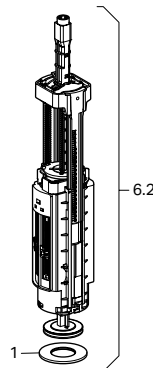
**Flushing Valve Type 290
Dual-flush**



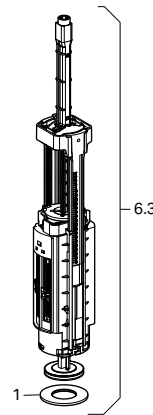
**Flushing Valve Type 290
Dual-flush**



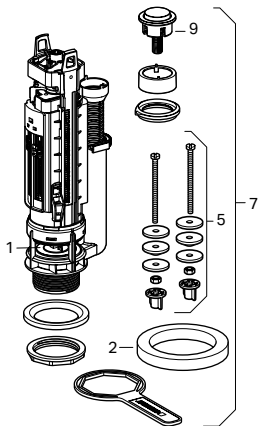
**Flushing Valve Type 290
Dual-flush**



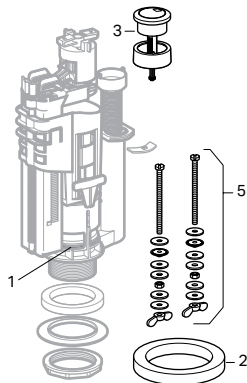
**Flushing Valve Type 290
Dual-flush**



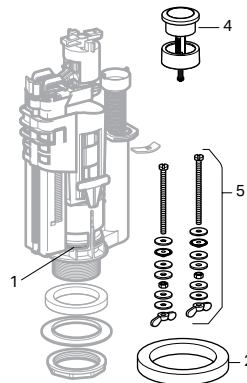
**Flushing Valve Type 290
Single-flush**



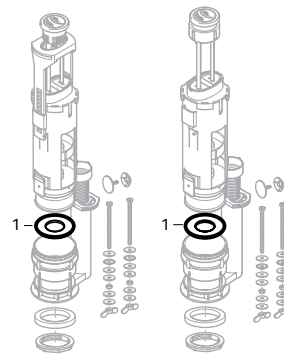
**Flushing Valve Type 280
Dual-flush**



**Flushing Valve Type 280
Single-flush**



**Flushing Valve Type 250*
Dual-flush**



The information contained in this document is subject to change without notice.

GEBERIT BATH WASTE AND TRAP SYSTEMS

Replacement Parts

Replacement Parts and Kits (See page 37 for Item drawings)

Item	Description	Model No.
1	TurnControl Overflow/Drain Service Kit	242.767.00.1
2	Brass Tee Assembly	—
3	Chicago Code Brass Tee Assembly	241.766.00.1
4	PushControl Overflow/Drain Service Kit	242.768.00.1
5	PushControl Trim Service Kits	
	Metal Polished Chrome	241.726.21.1
	ForeverShine™ PVD Brushed Nickel	241.726.ID.1
	Plastic Polished Chrome	241.725.21.1
6	Cascading Tub Filler Service Kit	242.769.00.1
7	Cascading Tub Filler Trim Service Kits	
	Metal Polished Chrome	242.776.00.1
7.1	Stream Former Kit	—
8	Vacuum Breaker WATTS Model No. LF288AC	—
9	See TurnControl Traditional Metal Handles table below	
10	See TurnControl Traditional Plastic Handles table in next column	
11	See Plunger Assemblies table in next column	
12	TurnControl Handle/Plunger Service Kit	242.777.00.1

TurnControl Metal Handles (See page 37 for Item drawings)

Finish	Item No. 9 Traditional Model No.
Polished Chrome	240.702.21.1
Hard Coat Oil Rubbed Bronze	240.702.HM.1
ForeverShine™ PVD Polished Nickel	240.702.IB.1
ForeverShine™ PVD Brushed Nickel	240.702.ID.1

TurnControl Plastic Handles (See page 37 for Item drawings)

Finish	Item No. 10 Traditional Model No.
Alpine White	241.628.11.1
Matte black coated	241.628.16.1
Polished Chrome	241.628.21.1
Bone	241.628.AA.1
White	241.628.DY.1
Biscuit	241.628.FF.1

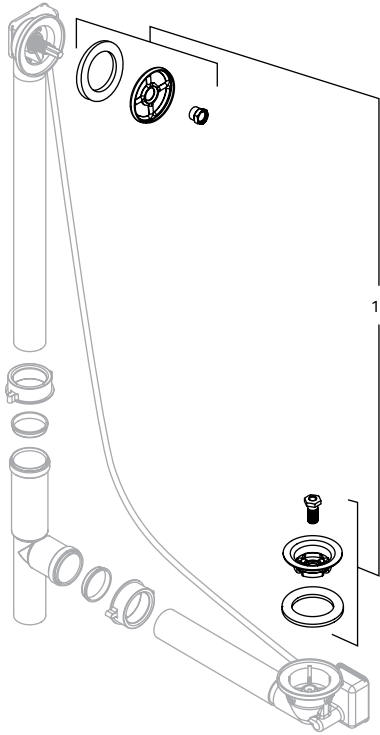
Plunger Assemblies (See page 37 for Item drawings)

Item	Description	Model No.
11	Metal Polished Chrome	241.728.21.1
	Hard Coat Oil Rubbed Bronze	241.728.HM.1
	ForeverShine™ PVD Polished Nickel	241.728.IB.1
	ForeverShine™ PVD Brushed Nickel	241.728.ID.1
Plastic	Alpine White	241.727.11.1
	Matte black coated	241.727.16.1
	Polished Chrome	241.727.21.1
	Bone	241.727.AA.1
	White	241.727.DY.1
	Biscuit	241.727.FF.1

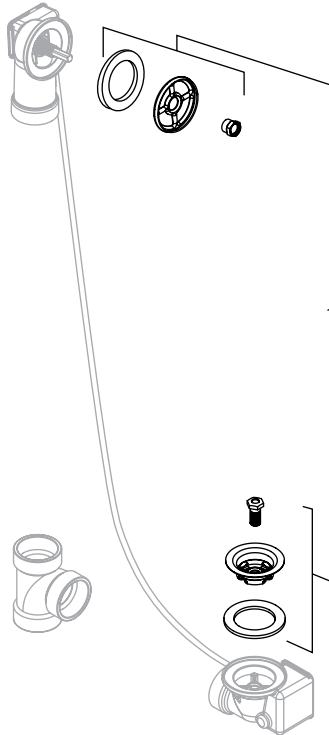
Note: ForeverShine™ finishes ensure the quality and look of your Geberit BWO will last a lifetime. Geberit offers a limited lifetime warranty on ForeverShine™ products installed in residential applications.

The information contained in this document is subject to change without notice.

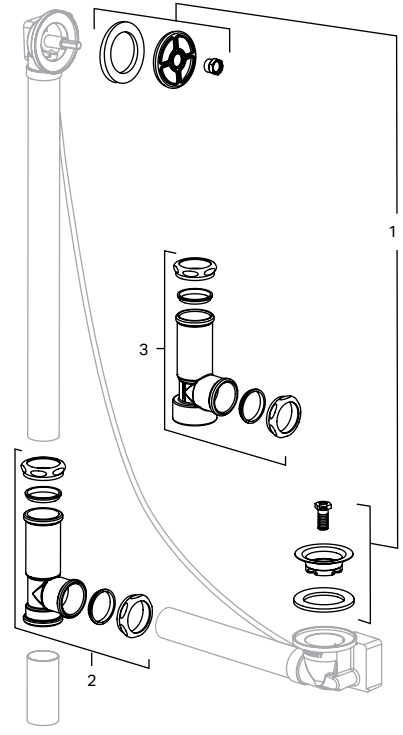
Tubular Plastic



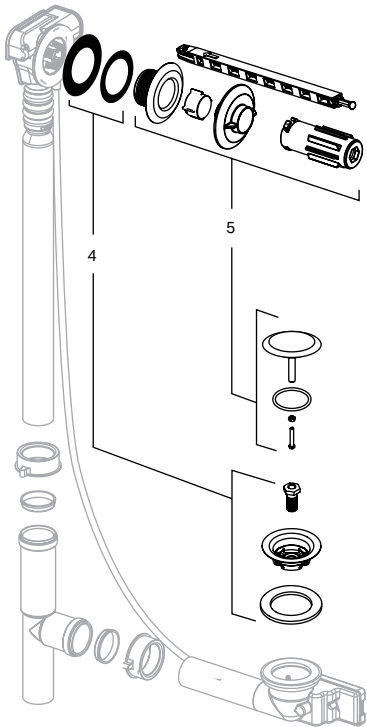
ABS/PVC



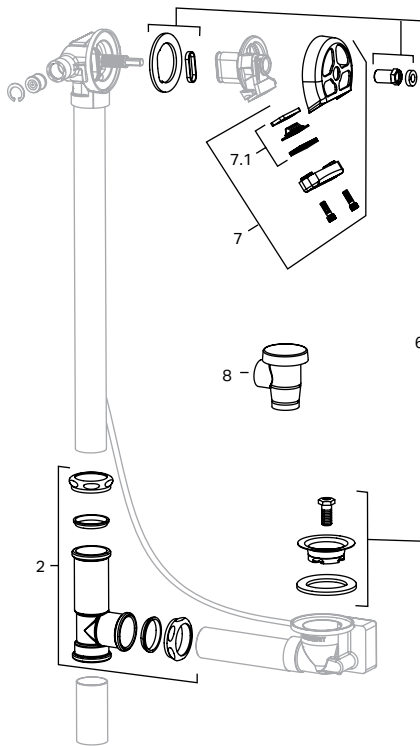
Tubular Brass



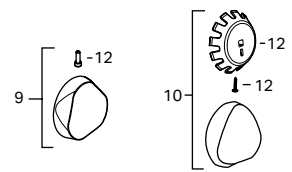
PushControl



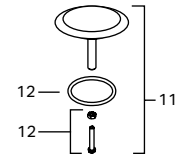
Cascading Tub Filler



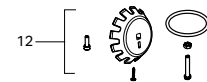
TurnControl Handle Parts



Plungers Parts



Replacement Parts Kit



The information contained in this document is subject to change without notice.

GEBERIT PARTS CATALOG

Index

Model No.	Page	Model No.	Page	Model No.	Page
111.335.00.5	6	115.640.JL.1	7, 11, 19, 23	115.788.JX.2	7, 11, 19, 23
109.304.00.5	18	115.640.SI.1	7, 11, 19, 23	115.788.SD.2	7, 11, 19, 23
109.307.00.5	18	115.640.SJ.1	7, 11, 19, 23	115.856.16.6	11, 23
109.781.00.1	22	115.641.21.1	7, 11, 19, 23	115.856.DW.6	11, 23
109.797.00.1	22	115.641.GH.1	7, 11, 19, 23	115.856.SN.6	11, 23
110.109.00.6	60	115.650.00.1	6, 10, 18, 22	115.860.00.1	7, 11, 19, 23
111.012.00.1	14	115.650.JM.1	6, 10, 18, 22	115.861.00.1	55, 56, 58, 61
111.013.00.1	27	115.650.JV.1	6, 10, 18, 22	115.861.00.6	7, 8, 11, 14, 19, 20, 23, 55, 56, 58, 61, 63
111.018.00.1	14	115.650.JX.1	6, 10, 18, 22	115.862.00.6	8, 20
111.040.00.1	27	115.650.SI.1	6, 10, 18, 22	115.882.01.1	6, 10, 18, 22
111.064.00.1	27	115.650.SJ.1	6, 10, 18, 22	115.882.11.1	6, 10, 18, 22
111.490.00.1	16	115.651.00.1	6, 10, 18, 22	115.882.14.1	6, 10, 18, 22
111.520.00.1	16	115.651.JM.1	6, 10, 18, 22	115.882.16.1	6, 10, 18, 22
111.524.00.1	16	115.651.JV.1	6, 10, 18, 22	115.882.DW.1	6, 10, 18, 22
111.597.00.1	10	115.651.JX.1	6, 10, 18, 22	115.882.ID.1	6, 10, 18, 22
111.625.00.1	15	115.651.SI.1	6, 10, 18, 22	115.882.JQ.1	6, 10, 18, 22
111.798.00.1	10	115.651.SJ.1	6, 10, 18, 22	115.882.JT.1	6, 10, 18, 22
111.815.00.1	27	115.652.00.1	6, 10, 18, 22	115.882.KH.1	6, 10, 18, 22
111.835.00.1	27	115.652.JM.1	6, 10, 18, 22	115.882.KJ.1	6, 10, 18, 22
111.847.00.1	27	115.652.JV.1	6, 10, 18, 22	115.882.KK.1	6, 10, 18, 22
111.863.00.1	27	115.652.JX.1	6, 10, 18, 22	115.882.KM.1	6, 10, 18, 22
111.868.00.1	27	115.652.SI.1	6, 10, 18, 22	115.882.SN.1	6, 10, 18, 22
111.869.00.1	27	115.652.SJ.1	6, 10, 18, 22	115.883.01.1	6, 10, 18, 22
111.887.00.1	27	115.670.00.2	6, 10, 18, 22	115.883.11.1	6, 10, 18, 22
111.892.00.1	40, 41, 42, 43, 44, 45, 46, 47	115.670.11.2	6, 10, 18, 22	115.883.14.1	6, 10, 18, 22
111.902.00.5	6	115.670.DW.2	6, 10, 18, 22	115.883.16.1	6, 10, 18, 22
115.080.01.1	14	115.670.JM.2	6, 10, 18, 22	115.883.DW.1	6, 10, 18, 22
115.080.11.1	14	115.670.JV.2	6, 10, 18, 22	115.883.JQ.1	6, 10, 18, 22
115.080.16.1	14	115.670.JX.2	6, 10, 18, 22	115.883.JT.1	6, 10, 18, 22
115.080.DW.1	14	115.670.QB.2	6, 10, 18, 22	115.883.KH.1	6, 10, 18, 22
115.080.JQ.1	14	115.671.00.2	6, 10, 18, 22	115.883.KJ.1	6, 10, 18, 22
115.080.KH.1	14	115.671.11.2	6, 10, 18, 22	115.883.KK.1	6, 10, 18, 22
115.080.KJ.1	14	115.671.DW.2	6, 10, 18, 22	115.883.KM.1	6, 10, 18, 22
115.080.KK.1	14	115.671.JM.2	6, 10, 18, 22	115.884.00.1	6, 10, 18, 22
115.080.KM.1	14	115.671.JV.2	6, 10, 18, 22	115.884.JK.1	6, 10, 18, 22
115.081.GH.1	14	115.671.JX.2	6, 10, 18, 22	115.884.JL.1	6, 10, 18, 22
115.081.JK.1	14	115.671.QD.2	6, 10, 18, 22	115.884.JM.1	6, 10, 18, 22
115.081.JL.1	14	115.672.00.2	6, 10, 18, 22	115.884.JV.1	6, 10, 18, 22
115.081.SI.1	14	115.672.11.2	6, 10, 18, 22	115.884.JX.1	6, 10, 18, 22
115.081.SJ.1	14	115.672.DW.2	6, 10, 18, 22	115.884.SI.1	6, 10, 18, 22
115.082.00.1	14	115.672.JM.2	6, 10, 18, 22	115.884.SJ.1	6, 10, 18, 22
115.082.SI.1	14	115.672.JV.2	6, 10, 18, 22	115.885.00.6	8, 20
115.085.01.1	14	115.672.JX.2	6, 10, 18, 22	115.889.ID.1	6, 10, 18, 22
115.085.11.1	14	115.672.QF.2	6, 10, 18, 22	115.889.SN.1	6, 10, 18, 22
115.085.16.1	14	115.680.11.1	72	115.890.16.6	7, 19
115.085.DW.1	14	115.680.21.1	72	115.890.DW.6	7, 19
115.085.JQ.1	14	115.696.00.1	8, 12, 20, 24	115.890.SN.6	7, 19
115.085.KH.1	14	115.697.00.1	8, 12, 20, 24	115.891.16.6	7, 19
115.085.KJ.1	14	115.758.01.5	7, 11, 19, 23	115.891.DW.6	7, 19
115.085.KK.1	14	115.758.14.5	7, 11, 19, 23	115.891.SN.6	7, 19
115.085.KM.1	14	115.758.16.5	7, 11, 19, 23	115.893.14.1	7, 11, 19, 23
115.086.21.1	14	115.758.JQ.5	7, 11, 19, 23	115.893.45.1	7, 11, 19, 23
115.086.GH.1	14	115.758.JT.5	7, 11, 19, 23	115.893.JT.1	7, 11, 19, 23
115.087.00.1	14	115.758.KH.5	7, 11, 19, 23	115.893.KJ.1	7, 11, 19, 23
115.088.00.1	14	115.758.KJ.5	7, 11, 19, 23	115.893.KK.1	7, 11, 19, 23
115.151.00.1	73	115.758.KK.5	7, 11, 19, 23	115.893.KY.1	7, 11, 19, 23
115.222.11.1	73	115.758.KM.5	7, 11, 19, 23	115.899.JQ.1	73
115.222.21.1	73	115.758.SN.5	7, 11, 19, 23	115.899.KH.1	73
115.222.46.1	73	115.761.00.4	6, 10, 18, 22	115.899.KJ.1	73
115.228.11.1	72	115.761.00.5	6, 10, 18, 22	115.907.16.6	7, 19
115.228.21.1	72	115.761.00.6	6, 10, 18, 22	115.907.DW.6	7, 19
115.228.46.1	72	115.761.00.7	6, 10, 18, 22	115.907.JQ.6	7, 19
115.258.00.1	72	115.764.FW.1	8, 12, 20, 24	115.907.KH.6	7, 19
115.260.11.1	72	115.766.00.1	8, 12, 20, 24	115.907.KJ.6	7, 19
115.260.21.1	72	115.766.SI.1	8, 20, 24	115.907.KK.6	7, 19
115.260.46.1	72	115.768.11.1	8, 12, 20, 24	115.907.KM.6	7, 19
115.333.11.1	74	115.768.21.1	8, 12, 20, 24	115.907.SN.6	7, 19
115.394.11.1	74	115.768.46.1	8, 12, 20, 24	115.908.16.6	7, 19
115.398.00.1	73	115.770.11.5	6, 10, 18, 22	115.908.DW.6	7, 19
115.622.14.1	7, 11, 19, 23	115.770.21.5	6, 10, 18, 22	115.908.JQ.6	7, 19
115.622.FW.1	7, 11, 19, 23	115.770.DT.5	6, 10, 18, 22	115.908.KH.6	7, 19
115.622.JK.1	7, 11, 19, 23	115.770.DW.5	6, 10, 18, 22	115.908.KJ.6	7, 19
115.622.JL.1	7, 11, 19, 23	115.770.JQ.5	6, 10, 18, 22	115.908.KK.6	7, 19
115.622.JT.1	7, 11, 19, 23	115.787.SN.5	7, 11, 19, 23	115.908.KM.6	7, 19
115.622.QB.1	7, 11, 19, 23	115.788.00.2	7, 11, 19, 23	115.908.SN.6	7, 19
115.622.QD.1	7, 11, 19, 23	115.788.11.2	7, 11, 19, 23	115.936.14.6	8
115.622.QF.1	7, 11, 19, 23	115.788.21.2	7, 11, 19, 23	115.936.SN.6	8, 20
115.622.SI.1	7, 11, 19, 23	115.788.DW.2	7, 11, 19, 23	115.937.14.6	8
115.622.SJ.1	7, 11, 19, 23	115.788.GH.2	7, 11, 19, 23	115.937.SN.6	8, 20
115.623.21.1	7, 11, 19, 23	115.788.JK.2	7, 11, 19, 23	115.955.00.6	14
115.623.QC.1	7, 11, 19, 23	115.788.JL.2	7, 11, 19, 23	115.956.14.6	14
115.640.GH.1	7, 11, 19, 23	115.788.JM.2	7, 11, 19, 23	115.956.SN.6	14
115.640.JK.1	7, 11, 19, 23	115.788.JV.2	7, 11, 19, 23		

The information contained in this document is subject to change without notice.

GEBERIT PARTS CATALOG

Index (continued)

Model No.	Page	Model No.	Page	Model No.	Page
116.015.16.1	15	151.450.00.1	36	240.571.KA.1	67
116.015.DW.1	15	151.460.00.1	36	240.572.11.1	67
116.015.SN.1	15	151.466.21.1	38	240.572.KA.1	67
116.016.00.5	15	151.467.21.1	38	240.573.00.1	64, 67, 68
116.016.11.5	15	151.468.21.1	38	240.574.00.1	64, 66, 67, 68
116.016.DW.5	15	151.501.00.1	36	240.575.00.1	11, 14, 20, 23, 64, 66, 67, 68
116.016.GH.5	15	151.502.00.1	36	240.582.00.1	67
116.016.JK.5	15	151.503.00.1	36	240.629.00.1	43, 44
116.016.JL.5	15	151.504.00.1	36	240.637.00.1	44
116.017.16.1	15	151.505.00.1	36	240.638.00.1	44
116.017.DW.1	15	151.506.00.1	36	240.639.00.1	72
116.017.KH.1	15	151.508.00.1	36	240.646.00.1	72
116.017.KJ.1	15	151.510.00.1	36	240.691.00.1	37
116.025.16.1	15	151.511.00.1	36	240.698.00.1	50
116.025.DW.1	15	151.512.00.1	36	240.700.00.1	78
116.025.SN.1	15	151.513.00.1	36	240.702.21.1	80
116.026.GH.1	15	151.514.00.1	36	240.702.HM.1	80
116.026.QB.1	15	151.515.00.1	36	240.702.IB.1	80
116.026.QD.1	15	151.516.00.1	36	240.702.ID.1	80
116.026.QF.1	15	151.517.00.1	36	240.771.00.1	40, 41, 42, 43, 44, 48, 49, 73, 74, 78
116.028.00.1	15	151.518.00.1	36	240.794.00.1	68
116.035.16.1	15	151.519.00.1	36	240.839.00.1	27
116.035.DW.1	15	151.520.00.1	36	240.847.00.1	41, 42, 48
116.035.SN.1	15	151.550.11.1	37	240.851.00.1	40, 41, 42, 44, 48, 49
116.036.GH.1	15	151.550.16.1	37	240.853.00.1	40, 44, 49
116.036.QB.1	15	151.550.21.1	37	240.921.00.1	40, 49
116.036.QD.1	15	151.550.AA.1	37	240.922.00.1	40, 41, 42, 43, 44, 48, 49
116.036.QF.1	15	151.550.DY.1	37	240.923.00.1	40, 49
116.038.00.1	15	151.550.FF.1	37	240.938.00.1	26, 50, 51, 54, 69, 71, 72
116.040.11.1	8, 14, 20	151.551.21.1	37	241.009.00.1	47
116.040.21.1	8, 14, 20	151.551.HM.1	37	241.059.00.1	47
116.041.11.1	11, 23	151.551.IB.1	37	241.066.00.1	46
116.041.21.1	11, 23	151.551.ID.1	37	241.067.16.1	46, 47
116.042.11.1	8, 14, 20	151.602.21.1	38	241.093.00.1	51, 69
116.042.21.1	8, 14, 20	151.603.21.1	38	241.149.00.1	55, 56, 58, 61
116.042.JQ.1	8, 14, 20	151.603.ID.1	38	241.150.00.1	55, 56, 57
116.043.11.1	11, 23	151.604.21.1	38	241.161.00.1	55, 56, 58, 61, 63
116.043.21.1	11, 23	151.605.21.1	38	241.167.00.1	40, 41, 42, 43, 44, 48, 49
116.043.JQ.1	11, 23	151.605.ID.1	38	241.199.11.1	68
116.044.11.1	8, 14, 20	152.404.11.1	40, 41, 42, 43, 44, 49	241.199.21.1	68
116.045.11.1	11, 23	152.404.46.1	40, 41, 43, 44, 49	241.286.00.1	42
116.050.11.1	8, 14, 20	152.424.00.1	40, 41, 42, 43, 44, 49	241.290.00.1	41, 42, 48
116.050.21.1	8, 14, 20	152.438.46.1	26	241.291.00.1	41, 42, 48
116.051.GH.1	8, 14, 20	152.489.16.1	45	241.292.00.1	41, 42, 48
116.051.KA.1	8, 14, 20	152.647.00.1	28	241.293.00.1	41, 42, 48
116.051.KV.1	8, 14, 20	152.682.00.1	46, 47	241.294.00.1	48
116.052.21.1	8, 14, 20	152.693.00.1	45	241.295.00.1	50, 72
116.053.GH.1	11, 23	152.796.00.1	47	241.302.00.1	55, 56, 58, 61, 63
116.053.KA.1	11, 23	152.950.11.1	26, 45	241.303.00.1	56, 57, 60, 62
116.053.KV.1	11, 23	152.951.11.1	26	241.413.21.1	68
116.054.21.1	11, 23	156.050.00.1	26	241.469.00.1	40, 41, 42, 43, 44, 48, 49, 73, 74, 78
116.055.16.1	8, 14, 20	216.024.00.1	73	241.470.00.1	78
116.055.DW.1	8, 14, 20	216.179.00.1	41, 42	241.476.00.1	56, 57, 58, 59
116.055.KH.1	8, 14, 20	217.713.11.1	26	241.478.00.1	56, 57, 58, 59
116.055.KJ.1	8, 14, 20	217.713.46.1	40, 41, 42, 43, 44, 46, 49	241.628.11.1	80
116.056.16.1	11, 23	217.869.00.1	79	241.628.16.1	80
116.056.DW.1	11, 23	225.170.00.1	78	241.628.21.1	80
116.056.KH.1	11, 23	238.069.00.1	78	241.628.AA.1	80
116.056.KJ.1	11, 23	240.004.00.1	67, 68	241.628.DY.1	80
116.057.16.1	8, 14, 20	240.027.46.1	45	241.628.FF.1	80
116.057.DW.1	8, 14, 20	240.041.00.1	74	241.670.00.1	41, 42, 48
116.057.KH.1	8, 14, 20	240.058.00.1	73	241.725.21.1	80
116.057.KJ.1	8, 14, 20	240.066.00.1	73	241.726.21.1	80
116.090.SG.6	7, 19	240.067.00.1	73	241.726.ID.1	80
116.090.SM.6	7, 19	240.068.00.1	73	241.727.11.1	80
116.092.SG.6	11, 23	240.074.00.1	73	241.727.16.1	80
116.092.SM.6	11, 23	240.087.00.1	74	241.727.21.1	80
116.109.00.6	8, 20	240.113.00.1	74	241.727.AA.1	80
116.110.00.6	8, 20	240.114.00.1	73	241.727.DY.1	80
119.668.00.1	40, 41, 42, 43, 44, 48, 49	240.172.00.1	44	241.727.FF.1	80
119.669.00.1	45	240.180.00.1	74	241.728.21.1	80
150.156.21.1	36	240.189.00.1	40, 41, 42, 43, 44, 46	241.728.HM.1	80
150.156.DY.1	36	240.269.00.1	40, 43, 44, 49	241.728.IB.1	80
150.156.FF.1	36	240.298.00.1	40, 41, 42, 43, 44, 48, 49	241.728.ID.1	80
150.176.21.1	36	240.306.00.1	46	241.729.00.1	38
150.176.HM.1	36	240.315.00.1	45	241.766.00.1	80
150.176.IB.1	36	240.322.00.1	74	241.769.00.1	37
150.176.ID.1	36	240.323.00.1	74	241.771.00.1	37
150.183.00.1	36	240.347.00.1	40, 41, 42, 43, 44, 48, 49	241.772.00.1	37
150.184.00.1	36	240.513.00.1	73	241.773.00.1	37
151.116.11.1	38	240.514.00.1	73	241.774.00.1	37
151.117.11.1	38	240.533.00.1	44	241.775.00.1	37
151.118.11.1	38	240.571.11.1	67	241.789.21.1	37, 38

The information contained in this document is subject to change without notice.

GEBERIT PARTS CATALOG

Index (continued)

Model No.	Page	Model No.	Page	Model No.	Page
241.800.KD.1	79	242.767.00.1	80	243.173.00.1	27
241.803.00.1	47	242.768.00.1	80	243.175.00.1	41, 48
241.805.00.1	47	242.769.00.1	80	243.270.16.1	75
241.813.00.1	78	242.776.00.1	80	243.270.DW.1	75
241.820.21.1	79	242.777.00.1	80	243.270.KH.1	75
241.826.00.1	26	242.781.16.1	56, 57, 58, 59	243.270.KJ.1	75
241.829.00.1	40, 49	242.781.DW.1	56, 57, 58, 59	243.272.00.1	48, 49
241.831.00.1	55, 56, 58, 61	242.781.SN.1	56, 57, 58, 59	243.279.00.1	41, 48
241.832.00.1	8, 14, 20	242.782.16.1	57, 59	243.294.00.1	71
241.854.00.1	49	242.782.DW.1	56, 57, 58, 59	243.297.00.1	53, 65
241.857.00.1	40, 43, 44, 49	242.782.JQ.1	56, 57, 58, 59	243.299.00.1	70
241.868.00.1	40, 43, 44, 49	242.782.KH.1	56, 57, 58, 59	243.301.00.1	70
241.873.00.1	50, 51, 69	242.782.KJ.1	56, 57, 58, 59	243.302.00.1	70
241.874.00.1	50, 51, 53, 69	242.782.KK.1	56, 57, 58, 59	243.303.00.1	70
241.876.00.1	50, 51, 69	242.782.KM.1	56, 57, 58, 59	243.304.00.1	70
241.877.00.1	50, 51, 58, 59, 69, 73	242.782.SN.1	56, 57, 58, 59	243.306.21.1	70
241.878.00.1	51	242.792.SN.1	56, 57, 58, 59	243.307.21.1	70
241.899.00.1	41, 42	242.813.00.1	53	243.318.21.1	79
241.903.00.1	76	242.813.FW.1	53	243.319.21.1	79
241.905.00.1	76	242.813.JK.1	53	243.320.00.1	79
241.906.00.1	76	242.813.JL.1	53	243.321.00.1	79
241.915.16.1	75	242.813.SI.1	53	243.327.00.1	75, 76
241.915.DW.1	75	242.813.SJ.1	53	243.344.00.1	41, 48
241.915.SN.1	75	242.814.00.1	53	243.345.00.1	40, 41, 42, 48, 49
241.925.16.1	15, 76	242.819.00.1	53, 65	243.347.00.1	53, 65
241.925.DW.1	15, 76	242.820.00.1	53, 65	243.356.00.1	55, 58, 59
241.925.SN.1	15, 76	242.822.00.1	53, 65	243.357.00.1	41, 48
241.926.GH.1	15, 76	242.823.00.1	53, 65	243.395.11.1	64
241.926.QB.1	15, 76	242.824.00.1	53, 65	243.395.21.1	64
241.926.QD.1	15, 76	242.825.00.1	53, 65	243.396.11.1	64
241.926.QF.1	15, 76	242.826.00.1	53, 65	243.397.11.1	64
241.930.00.1	26, 45	242.849.GH.1	66	243.397.21.1	64
241.931.00.1	75, 76	242.849.KA.1	66	243.397.JQ1	64
241.932.00.1	75, 76	242.849.KV.1	66	243.398.KH.1	64
241.933.00.1	75, 76	242.870.00.1	57, 59, 60, 62	243.398.KK.1	64
241.934.00.1	75, 76	242.871.00.1	56, 57, 58, 59, 60, 62	243.413.00.1	52
241.935.00.1	75	242.886.00.1	40, 41, 43, 44	243.414.00.1	52
241.936.00.1	75	242.920.00.1	52, 71	243.415.GH.1	52
241.937.00.1	75	242.939.00.1	64, 65	243.415.JK.1	52
241.941.00.1	76	242.949.00.1	65	243.415.JL.1	52
241.943.00.1	76	242.956.00.1	65	243.415.SI.1	52
241.944.00.1	76	242.957.FW.1	65	243.415.SJ.1	52
241.945.00.1	76	242.957.JK.1	65	243.422.00.1	52, 54
241.946.00.1	76	242.957.JL.1	65	243.423.00.1	52
241.947.00.1	75, 76	242.957.SI.1	65	243.424.00.1	52
242.012.00.1	40, 41, 42, 43, 44	242.957.SJ.1	65	243.430.00.1	79
242.039.00.1	45	242.958.00.1	65	243.461.00.1	53, 65
242.042.00.1	27	242.961.11.1	64	243.579.00.1	76
242.045.00.1	45	242.961.21.1	64	243.703.00.1	64
242.046.00.1	45	242.961.JQ.1	64	243.727.00.1	41, 48
242.047.00.1	45	242.962.11.1	64	243.971.00.1	55, 56, 58, 61, 63
242.131.00.1	45	242.962.21.1	64	244.094.00.1	7, 8, 11, 14, 19, 20, 23, 55, 56, 58, 61, 63
242.156.00.1	75, 76	242.962.JQ.1	64	244.125.00.1	40, 41, 43, 44, 45, 46, 47
242.269.00.1	41, 42, 48	242.963.16.1	64	244.244.00.1	40, 43, 49
242.309.00.1	27	242.963.DW.1	64	244.501.00.1	66
242.314.00.1	40, 41, 42, 43, 44	242.963.KH.1	64	244.504.21.1	66
242.315.00.1	40, 49	242.963.KJ.1	64	244.505.00.1	66
242.316.00.1	44	242.964.16.1	64	244.601.00.1	64
242.380.21.1	68	242.964.DW.1	64	244.844.00.1	40, 43, 49
242.398.16.1	64	242.964.KH.1	64	245.372.00.1	43
242.398.KM.1	64	242.964.KJ.1	64	245.377.00.1	43
242.401.00.1	67, 68	242.965.00.1	64	245.380.00.1	40, 49
242.413.00.1	42	242.975.11.1	55, 56, 57, 61	245.400.00.1	40, 49
242.414.00.1	41, 42, 48	243.084.00.1	53, 65	245.473.00.1	53, 65
242.415.00.1	42	243.088.00.1	43	245.539.00.6	56
242.417.00.1	42	243.090.00.1	43	245.540.00.6	58, 59
242.418.00.1	41, 42, 48	243.091.00.1	43	245.541.SG.6	55
242.424.00.1	55, 58, 59	243.092.00.1	43	245.541.SM.6	55
242.484.00.1	75, 76	243.093.00.1	43	245.542.SG.6	55
242.516.00.1	45	243.108.00.1	71	245.542.SM.6	55
242.548.00.1	68	243.109.00.1	71	245.545.00.6	61, 62
242.588.00.1	52, 54, 70, 71	243.110.00.1	70, 71	245.546.00.6	61
242.594.00.1	64, 66, 67	243.118.GH.1	71	245.547.00.6	63
242.617.00.1	55	243.118.JK.1	71	245.548.00.6	60
242.618.SG.1	55	243.118.JL.1	71	245.551.00.6	55, 56, 57
242.618.SM.1	55	243.118.SI.1	71	245.552.00.1	61, 62, 63
242.658.00.1	7, 11, 19, 23, 55	243.118.SJ.1	71	245.553.14.1	61, 62, 63
242.698.00.1	40, 49	243.130.00.1	64	245.553.SN.1	61, 62, 63
242.764.00.1	75	243.168.00.1	7, 8, 11, 19, 20, 23, 40, 41, 42, 48, 49, 70	245.554.00.1	61, 62, 63
242.764.11.1	75	243.169.00.1	65	245.555.00.1	61, 62, 63
242.764.GH.1	75	243.170.00.1	53, 65	245.556.00.1	61, 62, 63
242.764.JK.1	75	243.171.00.1	53, 65	245.557.00.1	61, 62, 63
242.764.JL.1	75				

The information contained in this document is subject to change without notice.

GEBERIT PARTS CATALOG

Index (continued)

Model No.	Page
245.735.00.1.....	54
245.735.JQ.1.....	54
245.838.00.6.....	57
249.801.00.1.....	27, 42
256.000.00.1.....	8, 11, 14, 20, 23, 64, 67, 68
282.050.21.2.....	79
282.350.21.2.....	79
362.771.00.1.....	40, 41, 42, 43, 44, 48, 49
362.790.00.1.....	45
362.796.92.1.....	40, 41, 42, 43, 44, 48, 49
366.061.16.1.....	28, 40, 43, 44
366.820.92.1.....	40, 41, 42, 43, 44
366.887.16.1.....	28
366.913.16.1.....	28
366.914.16.1.....	28
367.072.18.1.....	28
367.485.16.1.....	28
367.923.16.1.....	28
387.282.00.1.....	40, 41, 42, 43, 44
405.116.00.1.....	26
465.034.00.2.....	27
813.514.00.1.....	50, 51, 52, 53, 54, 71, 73, 74
813.812.00.1.....	79
816.418.00.1.....	40, 43, 44, 49, 73, 74, 79
853.614.92.1.....	45
880.328.11.1.....	67, 68
889.110.11.1.....	74
892.975.00.1.....	48
CR115-6111.....	8, 12, 20, 24, 70
CR115-6161.....	8, 12, 20, 24, 70
CR115-6FW1.....	8, 12, 20, 24, 70
M10 x 10".....	26
M12 x 10".....	26
M8 x 10".....	26

The information contained in this document is subject to change without notice.

GEBERIT PRODUCT CATALOG

Limited Warranty

LIMITED WARRANTY – The Company offers limited warranties regarding certain of its products. Such limited warranties can be found in the Company's catalogs and on its website at geberit.us. **THE COMPANY SHALL NOT BE LIABLE TO BUYER, OR TO ANYONE CLAIMING UNDER BUYER, FOR ANY OTHER OBLIGATIONS OR LIABILITIES, INCLUDING, BUT NOT LIMITED TO, OBLIGATIONS OR LIABILITIES ARISING OUT OF BREACH OF CONTRACT OR WARRANTY, NEGLIGENCE OR OTHER TORT OR ANY THEORY OF STRICT LIABILITY, WITH RESPECT TO THE PRODUCTS OR THE COMPANY'S ACTS OR OMISSIONS OR OTHERWISE. THE COMPANY AND BUYER AGREE THAT THE EXPRESS WARRANTIES DESCRIBED ABOVE ARE EXCLUSIVE AND IN LIEU OF ALL OTHER WARRANTIES. ALL OTHER EXPRESS WARRANTIES ARE DISCLAIMED. FOR COMMERCIAL PRODUCTS, ALL WARRANTIES IMPLIED BY LAW, INCLUDING WITHOUT LIMITATION THE IMPLIED WARRANTIES OF MERCHANTABILITY AND FITNESS FOR A PARTICULAR PURPOSE, ARE DISCLAIMED. FOR CONSUMER PRODUCTS, WARRANTIES IMPLIED BY LAW, INCLUDING THOSE OF MERCHANTABILITY AND FITNESS FOR A PARTICULAR PURPOSE, ARE EXPRESSLY LIMITED TO THE PERIOD OF THE EXPRESS LIMITED WARRANTY FOR THE RELEVANT PRODUCT.** Some States do not allow limitations on how long an implied warranty lasts, so the above limitation may not apply to Buyer. **IN NO EVENT SHALL THE COMPANY BE LIABLE FOR INCIDENTAL, CONSEQUENTIAL, INDIRECT OR SPECIAL DAMAGES. THE COMPANY'S AGGREGATE LIABILITY WITH RESPECT TO A DEFECTIVE PRODUCT AND THIS CONTRACT SHALL BE LIMITED TO AN AMOUNT EQUAL TO THE MONIES PAID TO THE COMPANY FOR THAT DEFECTIVE PRODUCT.** Some states do not allow the exclusion or limitation of incidental or consequential damages, so the above limitation or exclusion may not apply to Buyer. Please see the Company's limited warranty statement for details on limitations.

TO WHOM DOES THIS WARRANTY APPLY? – The Company extends the following limited warranty to the original user only.

WHAT DOES THIS WARRANTY COVER AND HOW LONG DOES IT LAST? This warranty covers the following Commercial Products:

BATH WASTE AND OVERFLOW PRODUCTS WARRANTY – Bath Waste and Overflow products are warranted against defects in material and workmanship for the life of the Products.

GEBERIT INSTALLATION SYSTEMS – Frame, Flushing Tanks, and Actuators for Geberit Installation Systems are warranted against defects in material and workmanship for the life of the Products. Filling and Flushing valves are warranted against defects in material and workmanship for 10 years from the date of Product purchase. The Company offers **NO WARRANTY** for Product batteries. Use of third party Actuators (and hardware), or Fill and Flush valves voids all Flushing Tank warranties.

FIVE YEAR FINISH WARRANTY – RESIDENTIAL – For Products used in residential applications, the finish of the Product is warranted against material manufacturing defects for a period of five (5) years from the date of Product purchase.

FOREVERSHINE™ and HARD COAT FINISHES WARRANTY – RESIDENTIAL – ForeverShine™ and Hard Coat finishes installed in residential-use applications are warranted not to corrode, tarnish or discolor for the life of the Product.

OTHER WARRANTIES – All other Products not covered above are warranted against material manufacturing defects for a period of one (1) year from the date of Product purchase.

WHAT THIS WARRANTY DOES NOT COVER – The Company will not be liable for any labor, transportation or consequential expenses not specifically stated above. There is **NO WARRANTY** in cases of damage in transit, negligence, abuse, abnormal usage, misuse, accidents, normal wear and tear, damage due to environmental

or natural elements, failure to follow the Company's instructions, unauthorized repair, incorrectly performed maintenance or repair, improper installation or storage or use of acidic, abrasive cleaning materials. In order for this Warranty to apply, Buyer must retain and provide to the Company receipts showing date of Product purchase and documenting proper maintenance. Any oral or written description of the Products is for the sole purpose of identifying the Products and shall not be construed as an express warranty. **THE COMPANY SHALL NOT BE LIABLE TO BUYER, OR TO ANYONE CLAIMING UNDER BUYER, FOR ANY OTHER OBLIGATIONS OR LIABILITIES, INCLUDING, BUT NOT LIMITED TO, OBLIGATIONS OR LIABILITIES ARISING OUT OF BREACH OF CONTRACT OR WARRANTY, NEGLIGENCE OR OTHER TORT OR ANY THEORY OF STRICT LIABILITY, WITH RESPECT TO THE PRODUCTS OR THE COMPANY'S ACTS OR OMISSIONS OR OTHERWISE. THE COMPANY AND BUYER AGREE THAT THE EXPRESS WARRANTIES DESCRIBED ABOVE ARE EXCLUSIVE AND IN LIEU OF ALL OTHER WARRANTIES. ALL OTHER EXPRESS WARRANTIES ARE DISCLAIMED. FOR COMMERCIAL PRODUCTS, ALL WARRANTIES IMPLIED BY LAW, INCLUDING WITHOUT LIMITATION THE IMPLIED WARRANTIES OF MERCHANTABILITY AND FITNESS FOR A PARTICULAR PURPOSE, ARE DISCLAIMED. FOR CONSUMER PRODUCTS, WARRANTIES IMPLIED BY LAW, INCLUDING THOSE OF MERCHANTABILITY AND FITNESS FOR A PARTICULAR PURPOSE, ARE EXPRESSLY LIMITED TO THE PERIOD OF THE EXPRESS LIMITED WARRANTY STATED ABOVE FOR THE RELEVANT PRODUCT.** Some States do not allow limitations on how long an implied warranty lasts, so the above limitation may not apply to you. Any assistance the Company provides to or procures for Buyer outside the terms, limitations or exclusions of this warranty will not constitute a waiver of the terms, limitations or exclusions of this limited warranty, nor will such assistance extend or revive the warranty. The Company will not reimburse Buyer for any expenses incurred by Buyer in repairing, correcting or replacing any defective Products, except for expenses incurred with the Company's prior written permission.

HOW TO GET SERVICE – For complete warranty details, or to provide notice of a warranty claim or request warranty service, contact your Geberit Sales Representative or Geberit, Customer Service, 2100 S. Clearwater Drive, Des Plaines, Illinois 60018 or 847-803-5000.

As the Company's sole and exclusive obligation under this warranty (and Buyer's sole and exclusive remedy), upon prompt written notice of breach from Buyer during the warranty period, the Company will either replace or repair the defective Product or refund the wholesale purchase price, at its option, if an inspection by the Company discloses defects in material or workmanship covered by this warranty. These warranty provisions do not cover the battery shipped with the electronic products.

LIMITATION ON DAMAGES – IN NO EVENT SHALL THE COMPANY BE LIABLE FOR INCIDENTAL, CONSEQUENTIAL, INDIRECT OR SPECIAL DAMAGES. WITHOUT LIMITING THE FOREGOING, THE COMPANY SHALL NOT BE LIABLE FOR ANY DAMAGE A PALM DEVICE OR ANY SOFTWARE OR RELATED EQUIPMENT ALLEGEDLY CAUSES TO A SYSTEM OR OTHERWISE. THE COMPANY'S AGGREGATE LIABILITY WITH RESPECT TO A DEFECTIVE PRODUCT AND THIS CONTRACT SHALL BE LIMITED TO AN AMOUNT EQUAL TO THE MONIES PAID TO THE COMPANY FOR THAT DEFECTIVE PRODUCT.

Some states do not allow the exclusion or limitation of incidental or consequential damages, so the above limitation or exclusion may not apply to you.

HOW DOES STATE LAW APPLY? – This warranty gives you specific legal rights, and you may also have other rights which vary from state to state.

Restrictions Apply

The information contained in this document is subject to change without notice.

Geberit

2100 S. Clearwater Drive
Des Plaines, IL 60018
USA

P 800-566-2100
F 847-849-1845

www.geberit.us

Geberit North America is part of the Geberit Group, a European market leader and global provider of sanitary technology. Located in Des Plaines, Illinois, Geberit North America provides concealed tank and carrier systems for wall-hung and floor-mounted toilets and fixtures. Geberit systems improve the look of any bathroom by hiding the unsightly toilet tank. Replacing a standard tank and toilet with the Geberit system results in more usable space, improved hygiene and better accessibility. The unique dual-flush valve saves water and is practically maintenance free. Geberit also offers cable-controlled bath waste and overflows in a variety of designer finishes. Critical working parts are outside the waterway, ensuring years of trouble-free operation.

For more information, contact your Geberit sales representative, call 800/566-2100 or go to geberit.us

